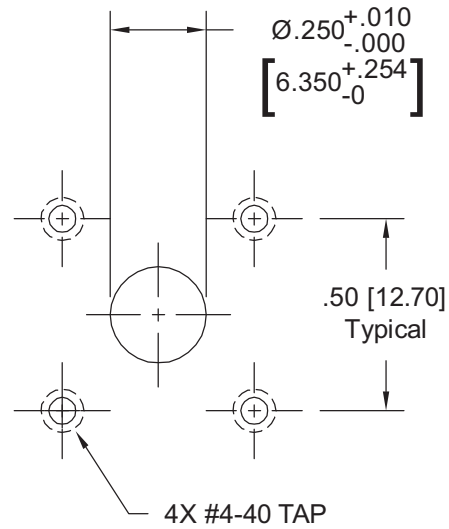


Adapter, Between Series
DC - 12 Ghz, TNC / SMA, RT Angle, Flange Mount

SPECIFICATIONS:

Models: 5349

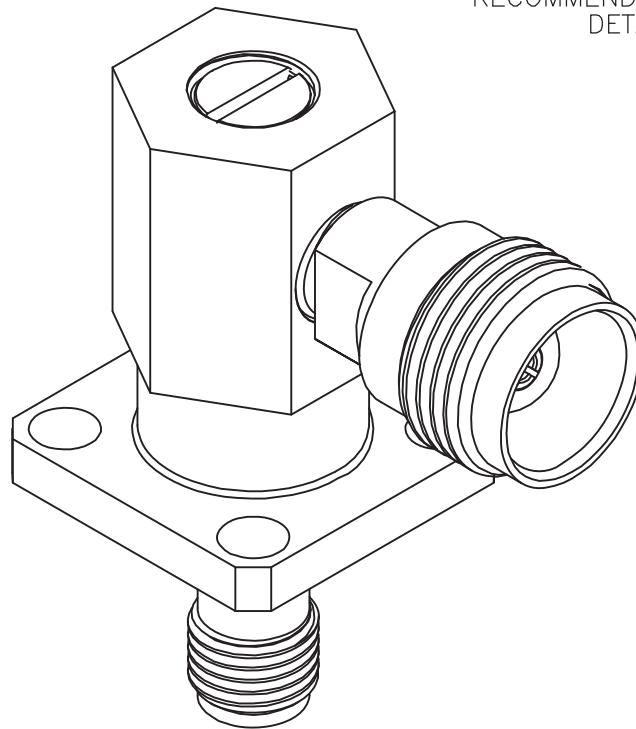
Electrical:	
Frequency Range _____	DC - 12 GHz
VSWR _____	
DC - 12 GHz _____	1.30:1 Max.
Impedance _____	50 Ohms
Operating Temp. Range _____	-65°C to +125°C
Mechanical:	
Connectors _____	Passivated Stainless Steel
Mates with MIL-STD-348	
Conductors _____	Gold Plated Beryllium Copper



RECOMMENDED MOUNTING
 DETAIL

THIS UNIT IS NOT RoHS COMPLIANT

Model Number: **5349**
 SMA Female / TNC Female



Note: Dimensions in Brackets are Expressed in Millimeters and are for Reference Only.
 Design specifications are subject to change without notice.
 Contact factory for technical specifications before purchasing or use.

5349: REV A

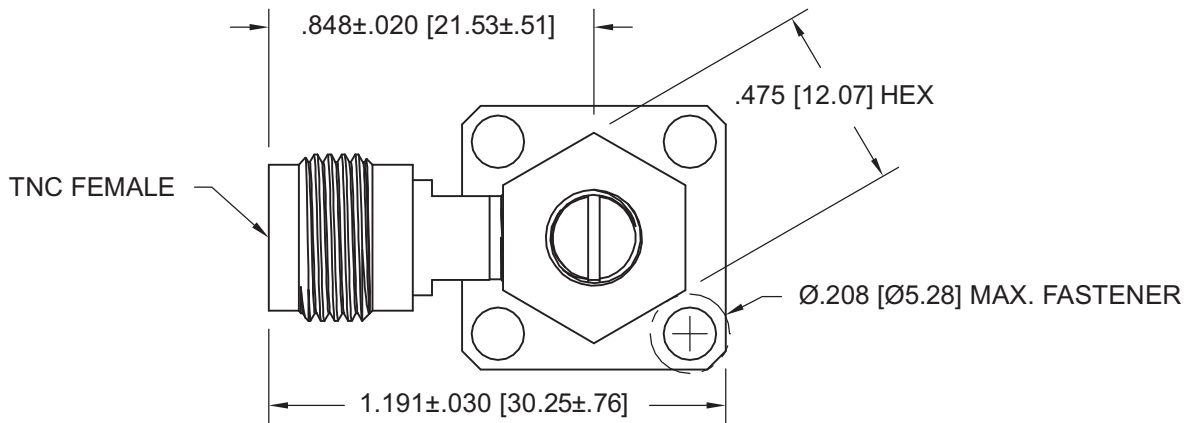
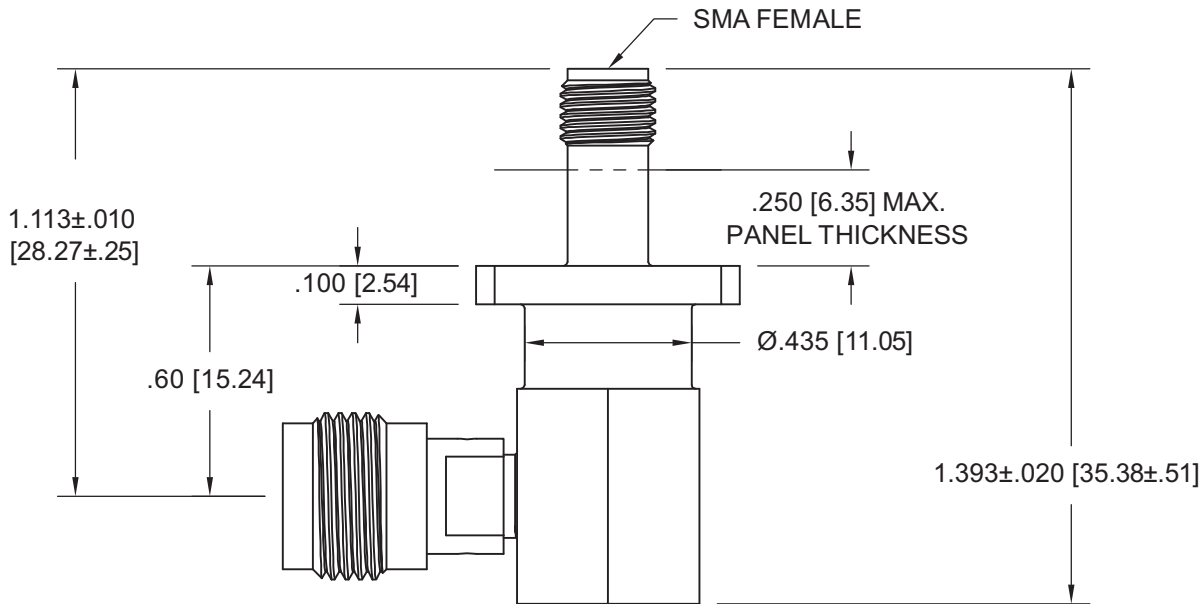
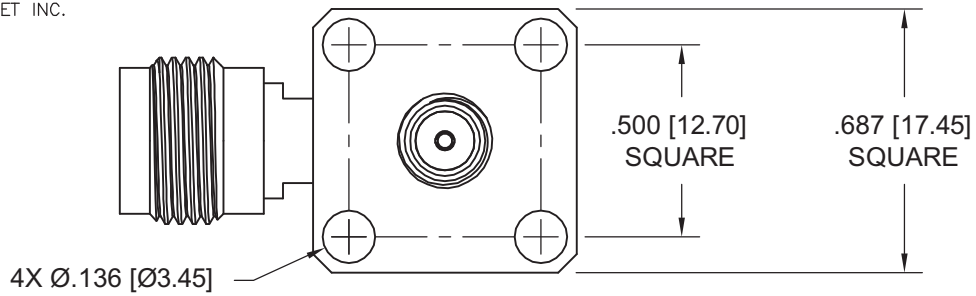


PROPRIETARY NOTICE


THE INFORMATION CONTAINED IN THIS DRAWING IS PROPRIETARY AND SHALL NOT BE USED OR DISCLOSED WITHOUT THE PRIOR WRITTEN PERMISSION OF AEROFLEX/INMET INC.

REVISIONS

LTR	DESCRIPTION	DATE	DCN NO.
A	SEE REV. HISTORY	1/19/10	09-00502



NOTE: DIMENSIONS IN BRACKETS ARE EXPRESSED IN MILLIMETERS AND ARE FOR REFERENCE ONLY.

UNLESS OTHERWISE SPECIFIED DIMENSIONS ARE IN INCHES TOLERANCES DECIMAL ANGULAR .XX ± .01 ± .XXX ± .005 DO NOT SCALE DRAWING		CONTRACT NO.			300 DINO DRIVE ANN ARBOR, MI 48103 TELEPHONE (734) 426-5553 FACSIMILE (734) 426-5557		
		CHECKED	DATE		TITLE: OUTLINE DRAWING, ADAPTER BETWEEN SERIES, FLANGE MOUNT TNC FEMALE/SMA FEMALE, DC-12 GHz MODEL NUMBER: 5349		
MATERIAL:	ENGINEERING	JO	1/28/10	SIZE			
FINISH	MANUFACTURING	JW	1/28/10	A	64671	5349	
SIMILAR TO	WEIGHT (gr)	QUAL. ASSURANCE		SCALE	2:1	RELEASE DATE	SHEET 2 OF 2
		MARKETING	LM				
			1/28/10				