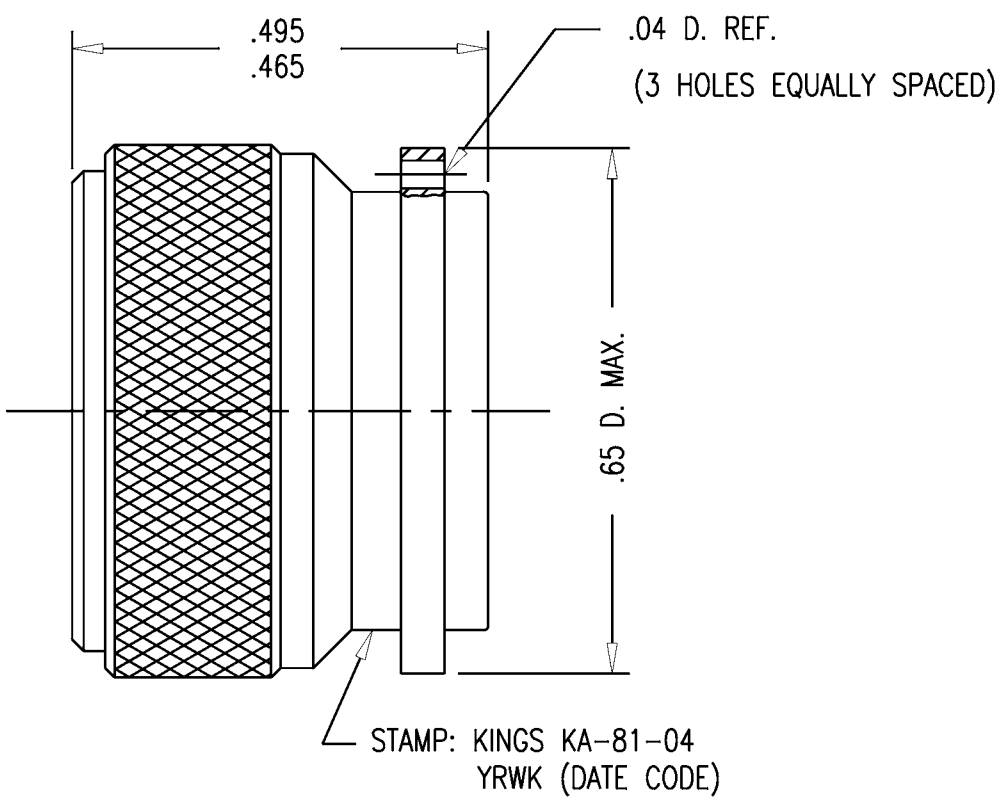


GSD

KA-81-04

REVISIONS	
ISSUE	CHANGES
4	CN 27186 E CT 06/05/85
5	CN 38315 C BDH 05/17/01



KAM6768

SCALE 4:1

APPROX SURFACE AREA

USED ON

REF:

CAP, TNC

DRAWN	KH	DATE	09/09/96
DESIGN	MJB	DATE	09/10/96
APPR.		DATE	

KINGS
ELECTRONICS CO., INC.
ROCK HILL, SOUTH CAROLINA 29730

GSD

KA-81-04

NOTES:

- MATERIAL:
GASKET-SILICONE RUBBER, ZZ-R-765
ALL OTHER METAL PARTS-BRASS, ASTM-B16
- FINISHES:
ALL METAL PARTS- SILVER PLATE PER QQ-S-365