

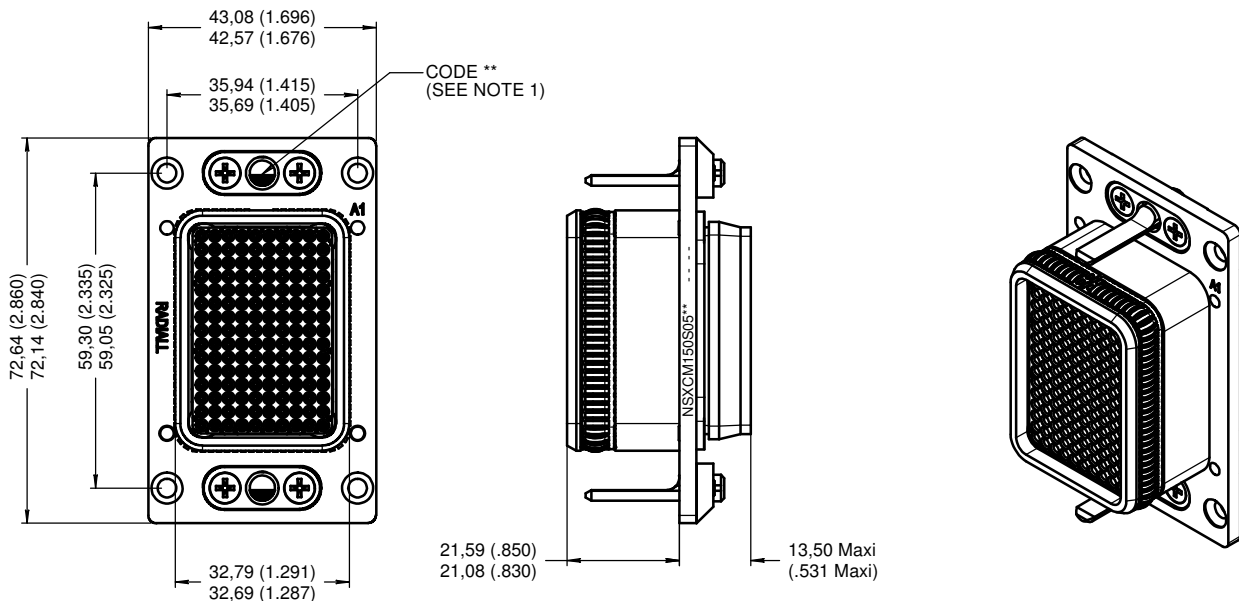


Series
NSX

PLUG CONNECTOR

Issue:
JULY 08, 2005

Page
1/1



MATERIAL:

- SHELL : MACHINED ALUMINUM ALLOY PER SAE AMS-QQ-A-250
- INSERT RETENTION PLATES : ALUMINUM ALLOY PER SAE AMS-QQ-A-250
- POLARIZING RETENTION PLATE : ALUMINUM ALLOY PER SAE AMS-QQ-A-250
- POLARIZING POST : ZINC ALLOY PER ASTM B 86
- GROUNDING SPRING : BERYLLIUM COPPER PER ASTM B 194
- INSERT : REINFORCED EPOXY RESIN PER ASTM D 5948 OR HIGH GRADE THERMOPLASTIC PER MIL-P-46183
- GROMMET : FLUOROSILICONE PER SAE AMS-R-25988
- CONTACT RETENTION CLIPS : BERYLLIUM COPPER PER ASTM B 194
- CONTACTS :
 - BODY : LEADED NICKEL COPPER (C97)
 - COVER : THERMOPLASTIC ELASTOMER
 - SCREWS : CORROSION RESISTANT MATERIAL

FINISH:

- SHELL : ELECTROLESS NICKEL PER SAE AMS-2404
- INSERT RETENTION PLATES : ELECTROLESS NICKEL PER SAE AMS-2404
- POLARIZING RETENTION PLATE : ELECTROLESS NICKEL PER SAE AMS-2404
- POLARIZING POST : ELECTROLESS NICKEL PER SAE AMS-2404
- GROUNDING SPRING : ELECTROLESS NICKEL PER SAE AMS-2404
- CONTACT BODY : PLATING .00005 INCH OF GOLD PER SAE AMS-2422 OVER NICKEL PER SAE AMS-QQ-N-290

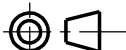
NOTES:

- INSERT LAYOUT : 150 FOR REAR RELEASE, REAR REMOVABLE SIGNAL CONTACTS
- CONNECTOR SUPPLIED WITH:
 - 150 SIZE 22 CRIMP PIN CONTACTS P/N : 620 200 (UNINSTALLED)
- MARKING : CONNECTOR AND PACKAGING MUST BE MARKED WITH : NSXCM150S05** (SEE NOTE 1) + DATE CODE
- PART IDENTIFICATION SHALL BE CAPABLE OF MEETING THE MARK DURABILITY REQUIREMENTS OF DMS 2325 PARAGRAPH 4.2.7 FOR SKYDROL DMS 2014 TYPE 4 USING THE ABRASIVE FELT ONLY

NOTE 1 :

** REPRESENTS THE POLARIZATION CODE AND IS CONFORM WITH ARINC 600 POLARIZATION POSITION WITHOUT POLARIZATION CODE, THE CONNECTOR IS DELIVERED WITH POLARIZATION HARDWARE UNASSEMBLED

DIMENSIONS : mm (inch) -



This information is given as an indication. In the continual goal to improve our products, we reserve the right to make any modifications judged necessary.

4112_9311

CREATION					
PEN: /					
NOM: LEGENDRE					
DATE: JULY 08, 2005					
APPR.: DUPUIS	/	/	/	/	/
	Issue	Revisions	Name	Approved	