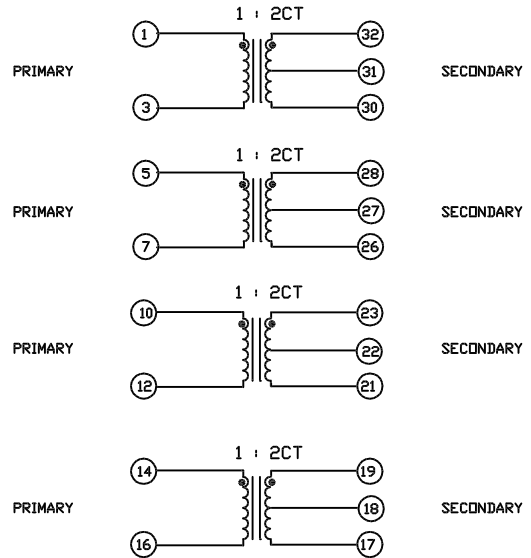


Electrical

(REV. X)

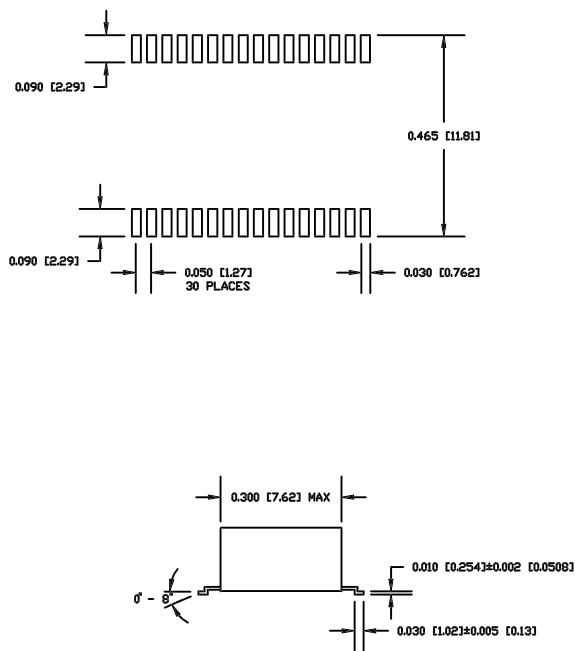
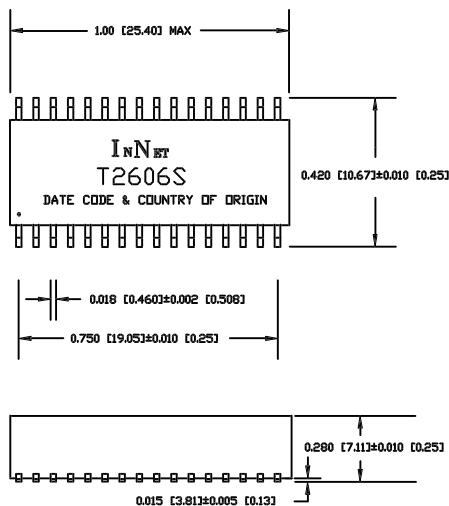
ELECTRICAL SPECIFICATIONS

URNS RATIO : (PRI TO SEC)	: 1 : 2CT \pm 3%
INDUCTANCE : (PRI'S)	: 1.2mH MIN. @ 0.01V, 100KHz
LEAKAGE INDUCTANCE: (PRI'S) (WITH SEC'S SHORTED)	: 0.5uH MAX. @ 1MHz
INTERWINDING CAPACITANCE: (PRI) TO (SEC)	: 30pF MAX. @ 1MHz
D.C. RESISTANCE: PRIMARY	: 0.6 ohms MAX.
SECONDARY	: 1.0 ohms MAX.
DIELECTRIC VOLTAGE WITHSTAND: (PRI) TO (SEC)	: 1500VAC FOR 60 SECOND
RETURN LOSS: (WINDING WITH T/R'S 2.0 IS 100 OHM REF.)	
51KHz TO 102KHz	: 12dB MIN.
102KHz TO 2.048MHz	: 18dB MIN.
2.048MHz TO 3.072MHz	: 14dB MIN.
(25 OHMS CONNECTED TO THE LOW TURNS SIDE OF 2.0 RATIO XFMR'S)	



Mechanical

SUGGESTED PAD LAYOUT



NOTES:

- 1.0 LEADS MEET THE SOLDERABILITY REQUIREMENTS OF MIL-STD-202 METHOD 208.
- 2.0 COPLANARITY OF PINS IS .004 [0.102] MAX.
- 3.0 THE CASE IS UL 94 V-0 BLACK PLASTIC.

WEBSITE innet-tech.com

E-MAIL innet@innet-tech.com

NORTH AMERICA
tel 858-578-8094
fax 858-578-5762

HONG KONG
tel 852-2690-1049
fax 852-2687-6441

CHINA
tel 86-769-229-2901
fax 86-769-225-0747