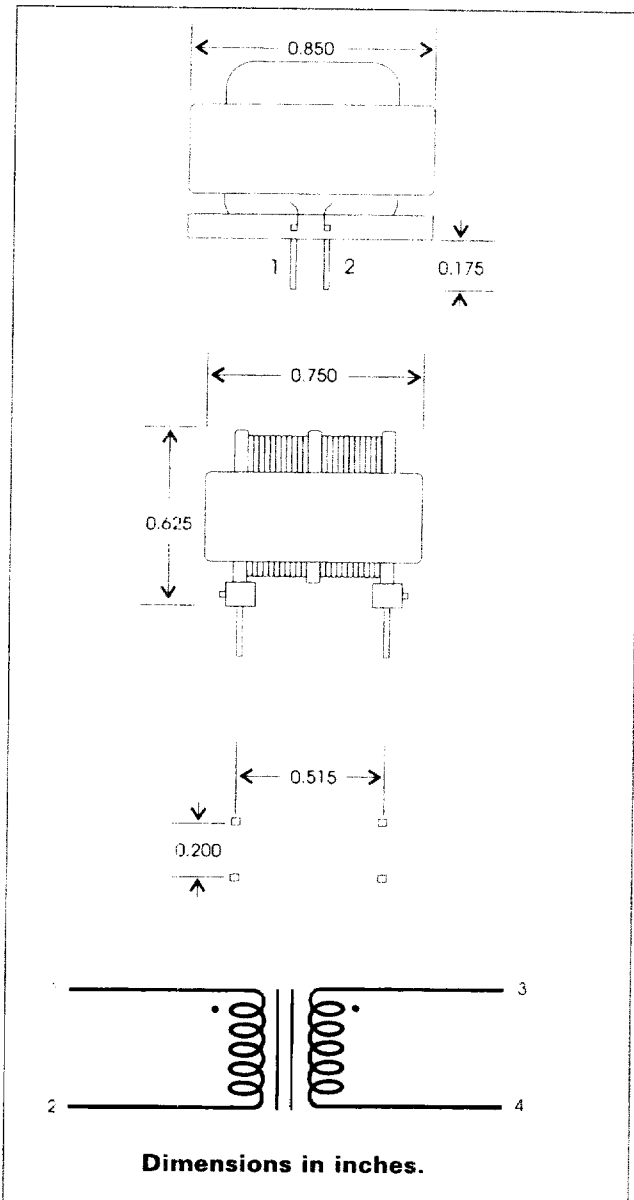
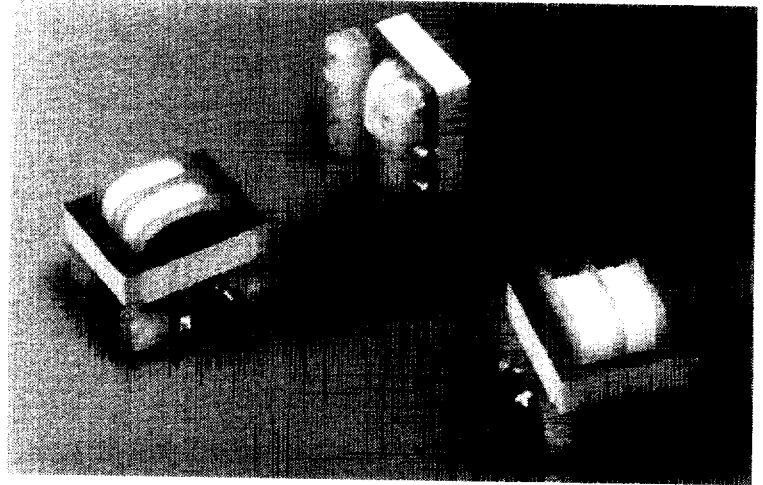


COMMON MODE CHOKE, 1:1 TRANSFORMER



Features

- Windings are balanced to within 1%
- Winding to winding dielectric strength 2500 VAC
- Inductance is measured at 1 KHz and initial permeability



| Model # | Inductance +/-20% L=uH | DCR Resistance Ohms | AC Current Amps | Leakage Inductance uH |
|----------|------------------------------|---------------------------|-----------------------|-----------------------------|
| KA-100 | 100 | 0.013 | 2.3 | 2.6 |
| KA-120 | 120 | 0.015 | 2.3 | 3.4 |
| KA-150 | 150 | 0.016 | 2.3 | 3.9 |
| KA-180 | 180 | 0.019 | 2.3 | 4.5 |
| KA-220 | 220 | 0.021 | 2.3 | 5.6 |
| KA-270 | 270 | 0.023 | 2.1 | 6.1 |
| KA-330 | 330 | 0.031 | 2.0 | 7.6 |
| KA-470 | 470 | 0.038 | 2.0 | 11 |
| KA-560 | 560 | 0.047 | 1.8 | 13 |
| KA-680 | 680 | 0.052 | 1.6 | 16 |
| KA-820 | 820 | 0.068 | 1.3 | 19 |
| KA-1000 | 1000 | 0.081 | 1.2 | 24 |
| KA-1200 | 1200 | 0.089 | 1.0 | 27 |
| KA-1500 | 1500 | 0.115 | 1.0 | 32 |
| KA-1800 | 1800 | 0.130 | 1.0 | 40 |
| KA-2200 | 2200 | 0.176 | 0.9 | 47 |
| KA-2700 | 2700 | 0.192 | 0.8 | 60 |
| KA-3300 | 3300 | 0.270 | 0.6 | 71 |
| KA-3800 | 3800 | 0.291 | 0.5 | 87 |
| KA-4700 | 4700 | 0.354 | 0.4 | 107 |
| KA-5600 | 5600 | 0.391 | 0.4 | 122 |
| KA-6800 | 6800 | 0.448 | 0.4 | 144 |
| KA-8200 | 8200 | 0.639 | 0.3 | 181 |
| KA-10000 | 10000 | 0.718 | 0.3 | 221 |
| KA-12000 | 12000 | 0.910 | 0.2 | 260 |
| KA-15000 | 15000 | 1.000 | 0.2 | 331 |
| KA-18000 | 18000 | 1.300 | 0.1 | 400 |
| KA-22000 | 22000 | 1.450 | 0.1 | 473 |
| KA-27000 | 27000 | 2.100 | 0.1 | 615 |
| KA-33000 | 33000 | 2.200 | 0.1 | 735 |