

# Customer Information Sheet

DRAWING No.: S543-XX

SHEET 3 OF 3

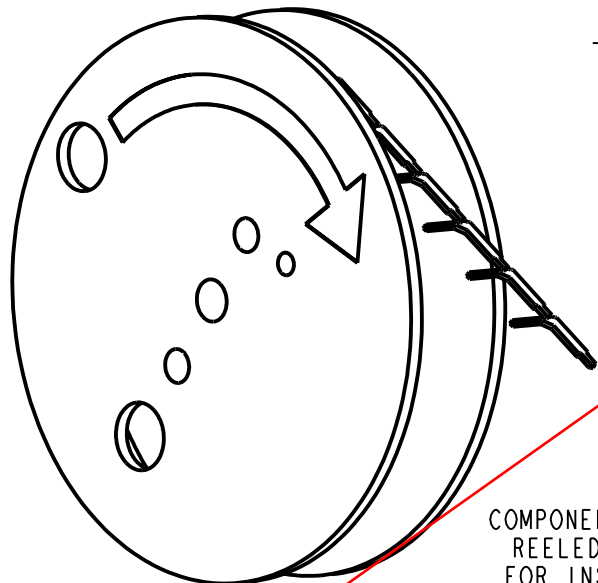
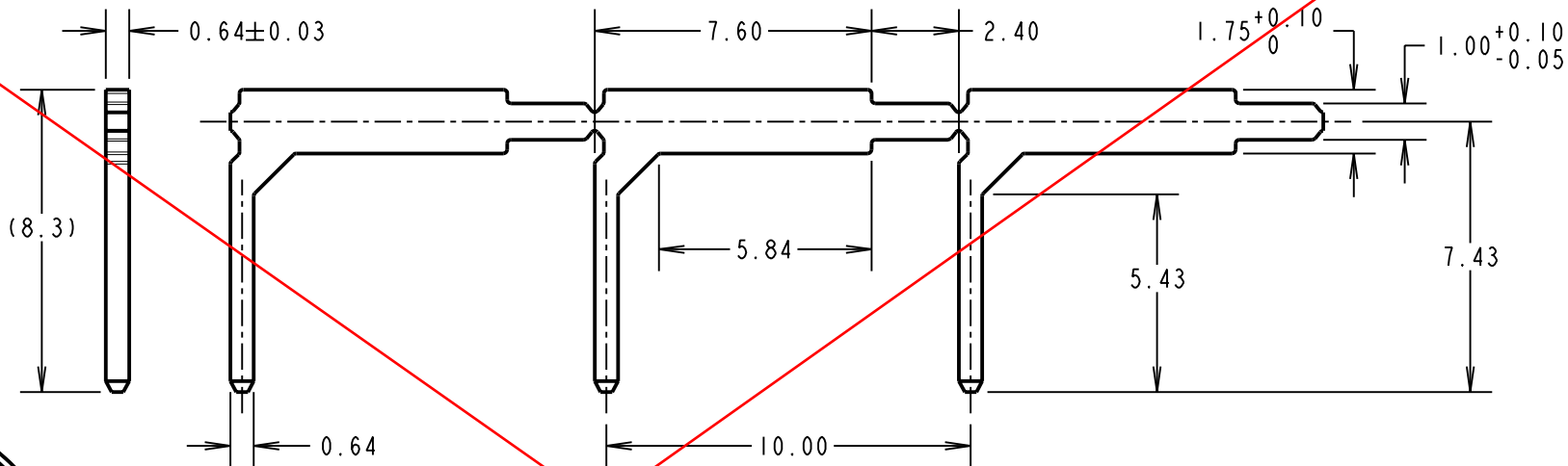
IF IN DOUBT - ASK

©

NOT TO SCALE

THIRD ANGLE PROJECTION

ALL DIMENSIONS IN mm



COMPONENT SHOWN  
REELED READY  
FOR INSERTION

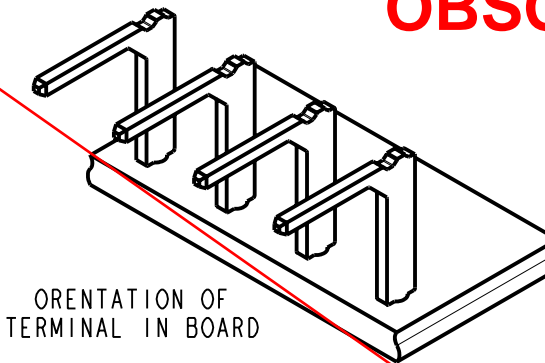
ORDER CODE:

**S543-XX**

FINISH

06 - 4μ 90/10 TIN/LEAD

46 - 4μ 100% TIN



ORIENTATION OF  
TERMINAL IN BOARD

**OBSOLETE**

NOTES:

1. RECOMMENDED MOUNTING HOLE SIZE =  $\varnothing 1.04 \pm 0.05$ mm.
2. QUANTITY OF TABS PER REEL = 15,000.
3. TOTAL WEIGHT PER REEL = 2.52kg.

CP	2	11.02.10	8128
NAME	ISS.	DATE	C/NOTE
APPROVED:		C.PENROSE	
CHECKED:		R.ADDE	
DRAWN:		W. J. BOURNE	
CUSTOMER REF.:			
ASSEMBLY DRG:			

**HARWIN**

HARWIN USA  
TEL: 603 893 5376  
FAX: 603 893 5396  
mis@harwin.com

HARWIN Europe (UK)  
TEL: 023 9231 4545  
FAX: 023 9231 4590  
mis@harwin.co.uk

HARWIN Asia  
TEL: +65 6 779 4909  
FAX: +65 6 779 3868  
mis@harwin.com.sg

THIS DRAWING AND ANY INFORMATION OR DESCRIPTIVE MATTER SET OUT HEREON ARE CONFIDENTIAL AND COPYRIGHT PROPERTY OF THE HARWIN GROUP AND MUST NOT BE DISCLOSED, LOANED, COPIED OR USED FOR MANUFACTURING, TENDERING OR FOR ANY OTHER PURPOSE WITHOUT THEIR WRITTEN PERMISSION.

TOLERANCES  
X. =  $\pm 1$ mm  
X.X =  $\pm 0.25$ mm  
X.XX =  $\pm 0.10$ mm  
X.XXX =  $\pm 0.01$ mm  
ANGLES =  $\pm 5^\circ$   
UNLESS STATED

MATERIAL:  
BRASS CW508L HARD  
TO BS EN 1652  
FINISH: SEE ORDER CODE  
S/AREA: mm<sup>2</sup>

TITLE:  
90° PIN TERMINAL - TALL  
DRAWING NUMBER:  
**S543-XX**  
SHT 3 OF 3