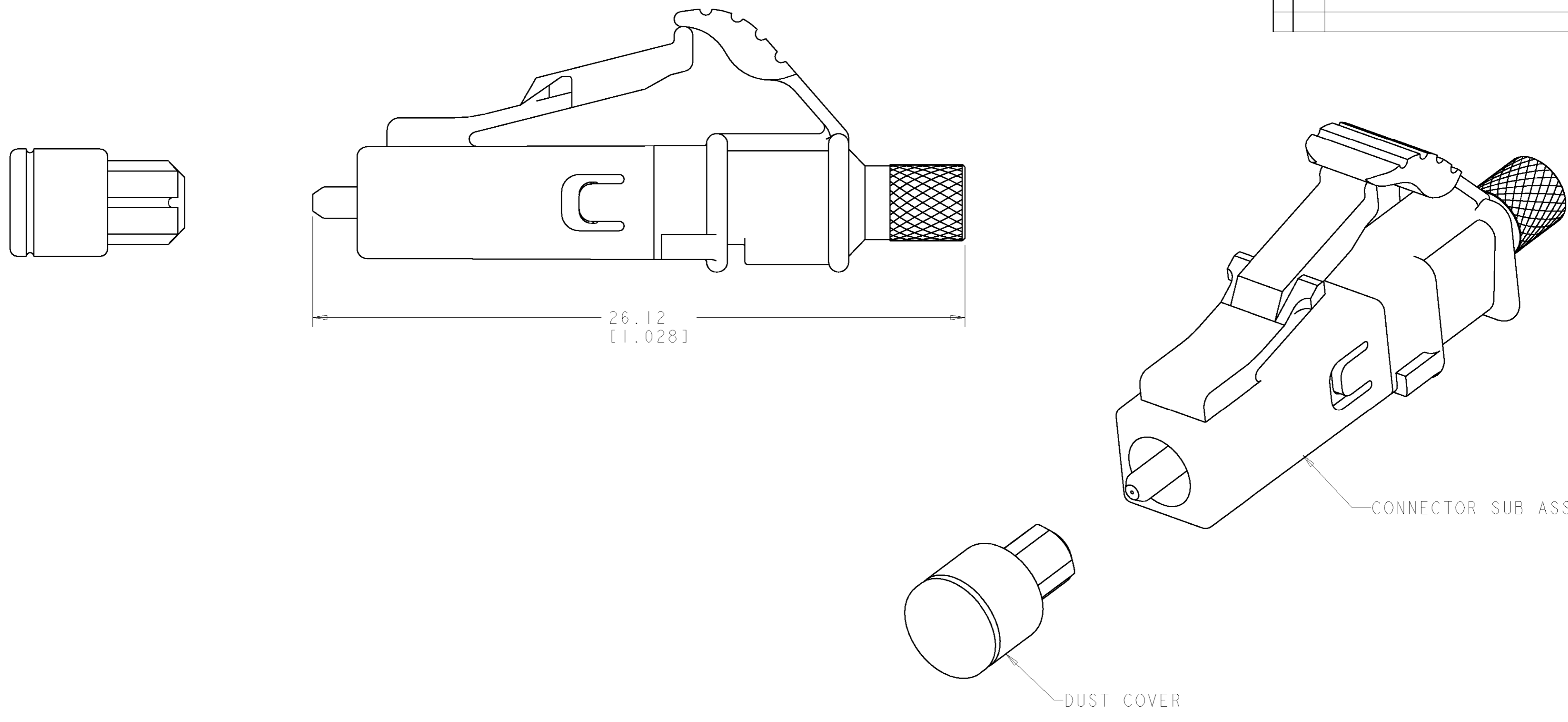


THIS DRAWING IS UNPUBLISHED. RELEASED FOR PUBLICATION 20  
 © COPYRIGHT 20 BY TYCO ELECTRONICS CORPORATION. ALL RIGHTS RESERVED.

LOC	DIST	REVISIONS					
		P	LTR	DESCRIPTION	DATE	DWN	APVD
CE	16		A	REL PER 0A00-0782-02	19SEP2002	DDE	CB



⚠ MATERIAL:  
 DUST COVER - TPE, BLACK, UL 94 V-0 \*  
 FERRULE SUB ASSEMBLY - ZIRCONIA/METAL  
 COMPRESSION SPRING - STAINLESS STEEL  
 FRONT HOUSING - PEI, BLUE, UL 94 V-0 \*  
 INNER TUBING - PTFE, CLEAR, UL VW-1  
 REAR BODY - PEI/METAL, BLUE, UL 94 V-0 \*

\* RATED AT QUALIFYING THICKNESS

2. BULK PACKAGED.

1588239-1  
 PART NO

THIS DRAWING IS A CONTROLLED DOCUMENT FOR TYCO ELECTRONICS CORPORATION IT IS SUBJECT TO CHANGE AND THE CONTROLLING ENGINEERING ORGANIZATION SHOULD BE CONTACTED FOR THE LATEST REVISION.		DWN D. ERDMAN 19SEP2002	Tyco Electronics Harrisburg, PA 17105-3608	
DIMENSIONS: mm [INCHES]		CHK C. BENNETT 19SEP2002	NAME CONNECTOR SUB ASSEMBLY, LC, SINGLEMODE	
TOLERANCES UNLESS OTHERWISE SPECIFIED:		APVD S. RUCHTER 19SEP2002	RESTRICTED TO	
0 PLC ± 1 PLC ±0.5 2 PLC ±0.13 3 PLC ±0.013 4 PLC ±0.0001 ANGLES ± FINISH		PRODUCT SPEC - APPLICATION SPEC -	SIZE A2	CAGE CODE 00779
MATERIAL		WEIGHT -	DRAWING NO 1588239	REV A
		CUSTOMER DRAWING		SCALE 8:1 SHEET 1 OF 1