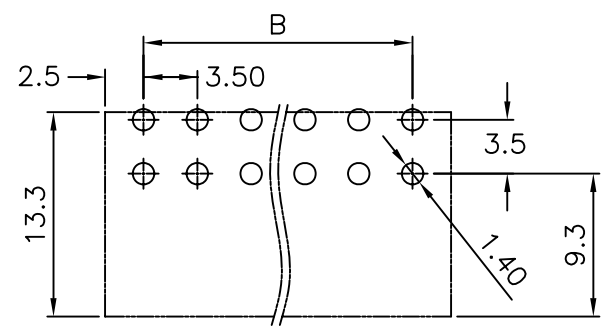
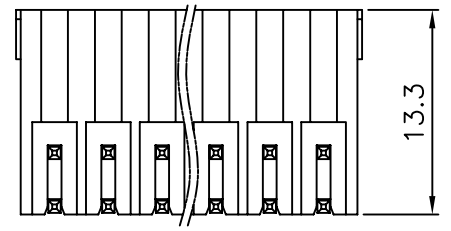
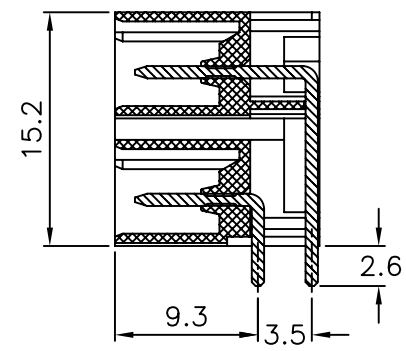
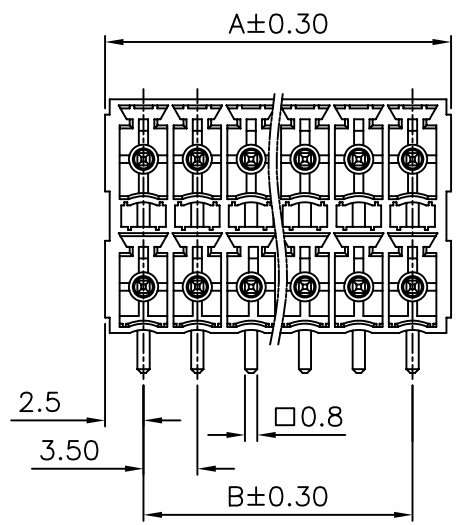


REV.	SPECIFICATION	ECN NO.	APPD.



P.C.Board Layout

Material:

Housing: Thermoplastic Polyester UL94V-0.
Contact Pin: Copper Alloy, Tin Plated.

Electrical Characteristics:

Voltage Rating: 300V.
Current Rating: 10A.
Withstanding Voltage: 1.6KV.
Operating Temperature: -40°C~+120°C.

***RoHS Compliant**

8930- Series C: Pitch 3.5mm 133152 Manufacturing Code B: Black BA: Close Type xx: No. of Positions (04: 2x02 Pos., 48: 2x24 Pos.) R: Right Angle B: Bulk Package for 4~8Pos. Box Package for 10~48Pos.

Position	4 Thru 48
Dimension	
A	No. of Positions / 2 * 3.5 + 1.5
B	(No. of Positions / 2 - 1) * 3.5

Tolerances	Dwg. No.	8930D01009
x = ±0.5	Projection	\oplus \triangleleft
.x = ±0.30	Unit	mm
.xx = ±0.15	Scale	1:1
	Drawn By	PEGGY11/20'14

Title:
8930 Series
3.5mm Terminal Block
(8300-xxMTR21-02)

OUPIN
OUPIN ELECTRONIC(KUNSHAN) CO., LTD.
P/N: 8930-C133152BBAxxRB

SHEET	A1	Ver.No.	A4
-------	----	---------	----

①780