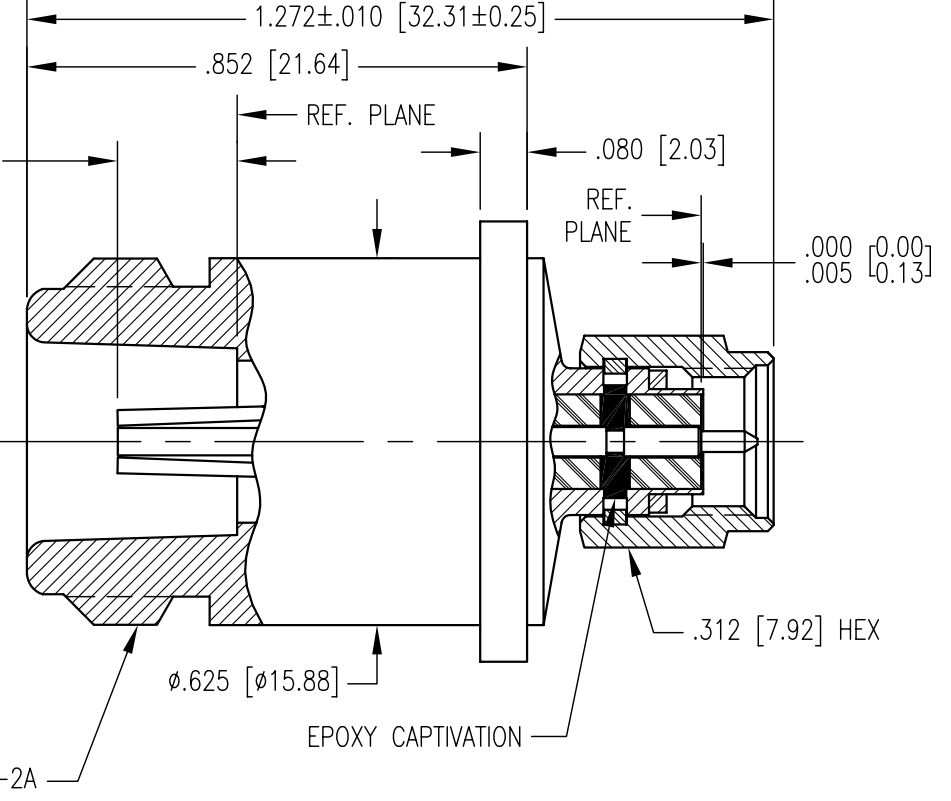
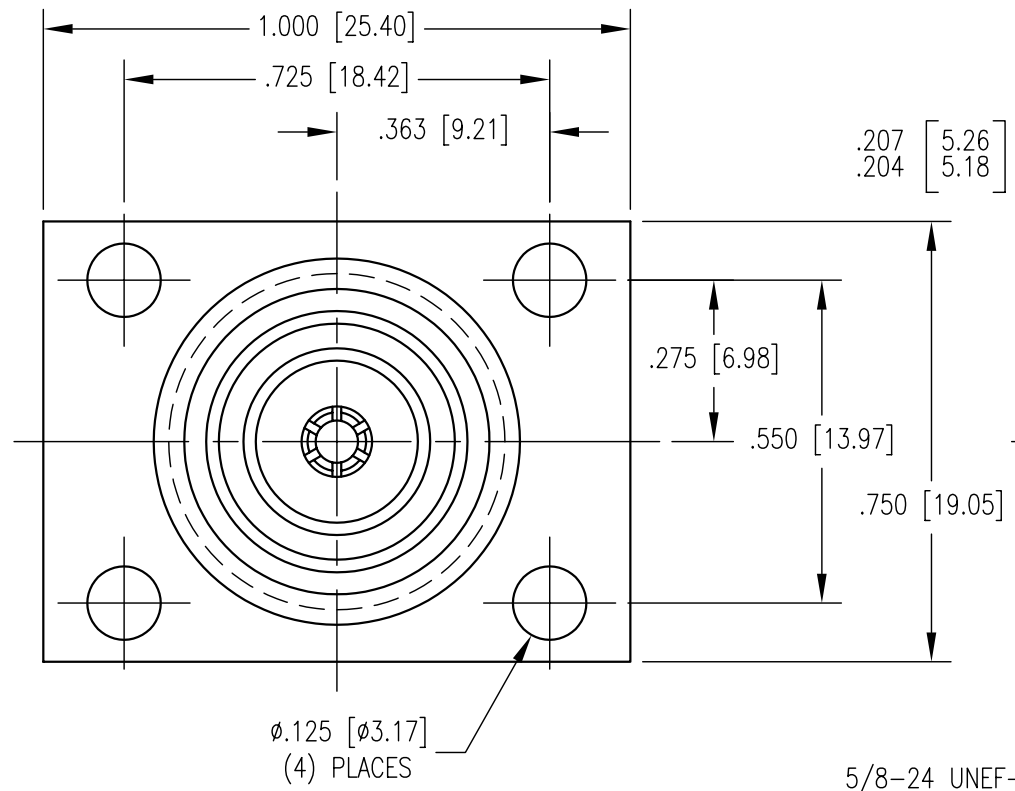


REV	DESCRIPTION	BY DATE	APPD
03	EWR 03-294	JED 12/12/03	JEM



NOTES:

- MATERIALS:
 CENTER CONTACT: BERYLLIUM COPPER PER ASTM B196
 RETAINING RING: BERYLLIUM COPPER PER ASTM B194
 ALL OTHER METAL PARTS: STAINLESS STEEL PER ASTM A582
 INSULATOR: TEFLON PER ASTM D1710
 GASKET: SILICONE RUBBER PER ZZ-R-765
- FINISH:
 CENTER CONTACT: .000030 MIN. GOLD PER MIL-G-45204 OVER
 .000050 MIN. NICKEL PER QQ-N-290
 RETAINING RING: UNPLATED
 ALL OTHER METAL PARTS: PASSIVATED PER ASTM A967
- ELECTRICAL:
 IMPEDANCE: 50 OHMS NOMINAL
 FREQUENCY RANGE: 0 - 11.0 GHz
- OPERATING TEMPERATURE: -65°C TO +165°C

PER ASME Y14.5M-1994
 UNLESS OTHERWISE SPECIFIED:
 DIMENSIONS ARE IN INCHES [MM]
 TOLERANCES:
 DECIMALS .XX ± .01 [0.254]
 .XXX ± .005 [0.127]
 ANGLES ± 2° SCALE: 3:1

NORTHROP GRUMMAN
 Winchester Electronics 62 Barnes Industrial Road North
 Wallingford, CT 06492

CUSTOMER DRAWING			
DRAWN	DATE	CHECKED	DATE
JED	3/5/03	SD	3/6/03
APPROVED	DATE	APPROVED	DATE
JEM	3/5/03	KJT	3/5/03

TITLE		
SMA PLUG - TYPE N RECEPTACLE FLANGE MOUNT ADAPTER		
A	SD250-601-9900P	SHT. OF REV. 1 1 03