

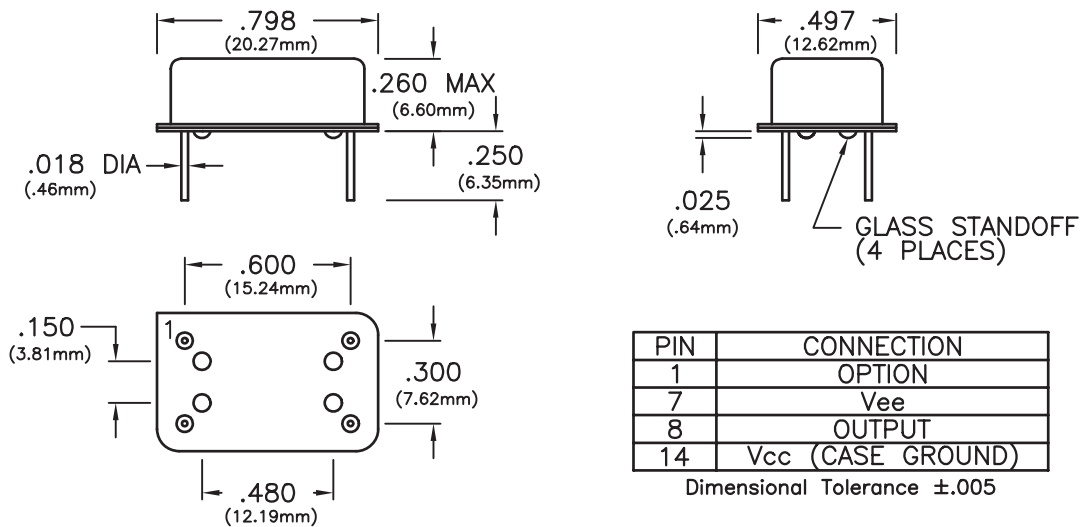


CONNOR-WINFIELD CORPORATION

AURORA, IL. 60505
 PHONE (630) 851-4722
 FAX (630) 851-5040

14 PIN DIP ECL

SPECIFICATIONS	EH01-63*	
Frequency Range	13MHz to 100MHz	
Frequency Stability	±100ppm	
	(Inclusive of calibration tolerance at 25°C, operating temperature range, input voltage change, load change, aging, shock and vibration)	
Temperature Range	-40°C to +85°C	
Output	Waveform	ECL Squarewave, 10K Compatible
	Voltage Voh	-1.02 Minimum , -0.735 Maximum
	Vol	-1.95 Minimum , -1.60 Maximum
	Duty Cycle	45/55 Maximum measured at 50% level
	Rise/Fall Time	2.3nS Maximum
Output must be terminated into 50 ohms to -2Vdc referenced to Vcc		
Supply Voltage	-5.2Vdc ±5%	
Supply Current	85mA Maximum	
Package	All metal, hermetically sealed, welded package	
Options *	0	Pin 1: No Connection
	1	Pin 1: Complementary Output
	2	Pin 1: Enable/Disable Enable; Low Level, Vil (-1.60V Max) , Disable; High Level, Vih (-1.02V Min) NOTE: When oscillator is disabled the output is in a low state (vol)
(add number to end of model number)		



Specifications subject to change without notice

BULLETIN #: EC095
 PAGE 1 OF 2

REV: 00
 DATE: 11/27/95

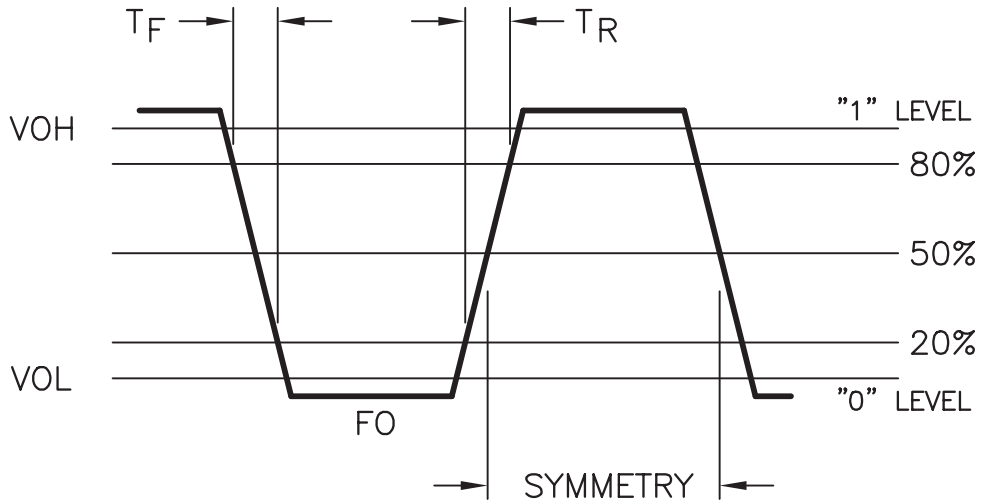
ISSUED BY: _____



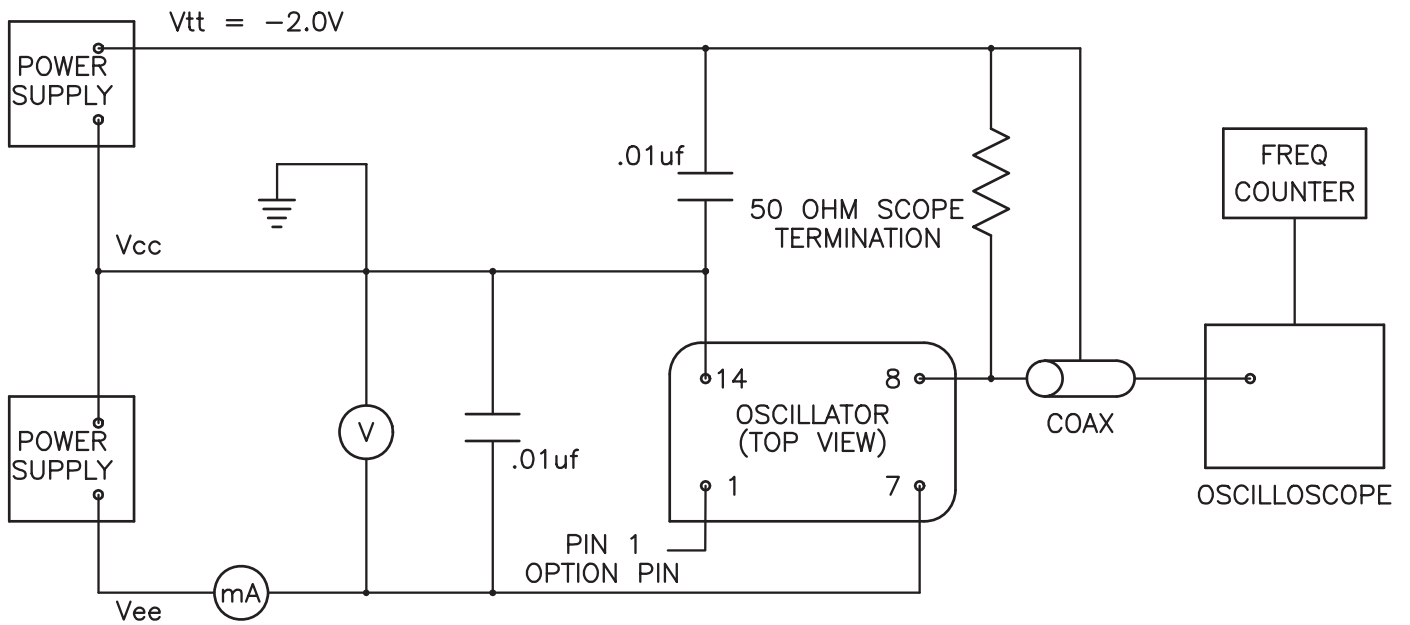
CONNOR-WINFIELD CORPORATION

AURORA, IL. 60505
PHONE (630) 851-4722
FAX (630) 851-5040

OUTPUT WAVEFORM



TEST CIRCUIT



Specifications subject to change without notice

BULLETIN #: EC095
PAGE 2 OF 2

REV: 00
DATE: 11/27/95

ISSUED BY: _____