

**NOTES:**

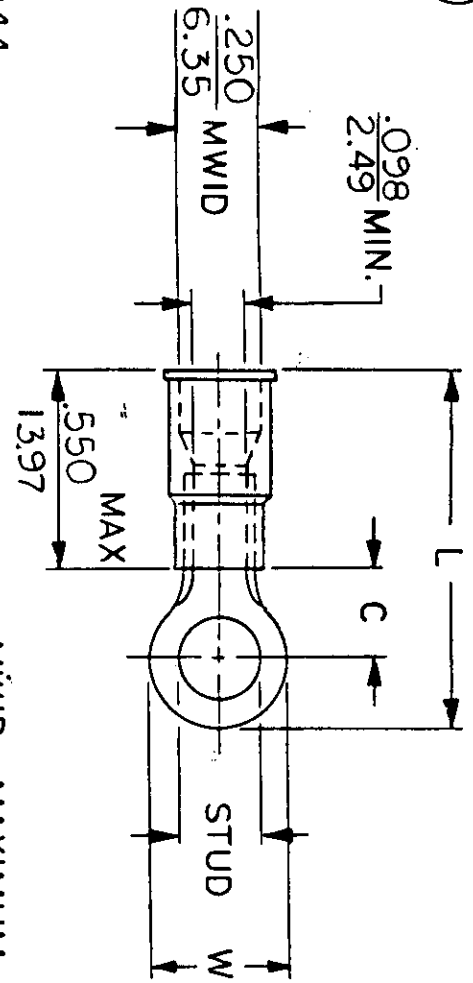
- ① MAT'L: COPPER (STOCK TKN.  $\frac{.050}{1.27}$  )
- ② INSULATION: MOLDED PVC (YELLOW)

STUD SIZES: ( $\pm .005$ )

02 = .094
04 = .119
06 = .146
08 = .173
10 = .198
14 = .265
56 = .328
38 = .390
76 = .453
12 = .515

"UL" LISTING #E32244  
 "CSA" LISTING #18689

ALL DIMENSIONS =  $\frac{\text{INCHES}}{\text{MM}}$



MWID = MAXIMUM WIRE  
 INSULATION DIAMETER  
 WIRE SIZE: 16 - 14 AWG  
 10 - 2.5MM<sup>2</sup>

PART NUMBER	"W" ±.010	"C" MIN.	"L" MAX.	SCALE:	NTS	DATE	TITLE:	DWG. NO.	CUSTOMER
B-201-	$\frac{.750}{19.05}$	$\frac{.611}{15.52}$	$\frac{1.571}{39.90}$	DRWN. BY: JJ		11-29-84	RING TONGUE HEAVY DUTY TERMINAL INSULKRIMP 200-SERIES	A	
B-228-	$\frac{.375}{9.53}$	$\frac{.303}{7.70}$	$\frac{1.076}{27.33}$	CHKD. BY: GZ		12-12-84			
B-230-	$\frac{.530}{13.46}$	$\frac{.393}{9.98}$	$\frac{1.243}{31.57}$	APPRD. BY:					
B-236-	$\frac{.282}{7.16}$	$\frac{.306}{7.77}$	$\frac{1.032}{26.21}$						
B-240-	$\frac{.592}{15.04}$	$\frac{.466}{11.84}$	$\frac{1.347}{34.21}$						

FILE NO. BHD - CD - 201 - 01



DWG. NO. A CUSTOMER DWG.