

C-13-622(C)-F-SLC(A)-(-55)-G5



Features

- Duplex LC Single Mode Transceiver
- Small Form Factor Multi-sourced 2 x 5 Pin Package
- Complies with ITU-T/STM-4, OC-12
- 1310nm Wavelength, FP Laser
- Single +3.3V Power Supply
- LVPECL Differential Inputs and Outputs
- LVTTTL Signal Detection Output (C-13-622C-F-SLC(A)-55-G5)
- LVPECL Signal Detection Output (C-13-622-F-SLC(A)-55-G5)
- Class 1 Laser International Safety Standard IEC 825 Compliant
- Solder ability to MIL-STD-883, Method 2003
- Pin coating is Sn/Pb with minimum 2% Pb content
- Flammability to UL94V0
- Humidity RH 5-85% (5-95% short term) to IEC 68-2-3
- Complies with Bell core GR-468-CORE
- Uncooled laser diode with MQW structure
- ATM 622 Mbps Links application
- SONET/SDH Equipment Interconnect application
- RoHS compliant

Absolute Maximum Rating

Parameter	Symbol	Min.	Max.	Unit	Note
Power Supply Voltage	V_{CC}	0	3.6	V	
Output Current	I_{out}	0	30	mA	
Soldering Temperature	-	-	260	°C	10 seconds on leads only
Operating Temperature	T_{opr}	0	70	°C	
Storage Temperature	T_{stg}	-40	85	°C	

Recommended Operating Condition

Parameter	Symbol	Min.	Typ.	Max.	Unit	Note
Power Supply Voltage	V_{CC}	3.1	3.3	3.5	V	
Operating Temperature (Case)	T_{opr}	0	-	70	°C	C-13-622(C)-F-SLC(-55)-G5
Operating Temperature (Case)	T_{opr}	-40	-	85	°C	C-13-622(C)-F-SLCA(-55)-G5
Data Rate	-	-	622	-	Mbps	

Transmitter Specifications

Parameter	Symbol	Min	Typical	Max	Unit	Notes
Optical						
Optical Transmit Power	P_o	-15	-	-8	dBm	
Output center Wavelength	λ_p	1274	1310	1356	nm	
Output Spectrum Width	$\Delta\lambda_{rms}$	-	-	2.5	nm	RMS(σ)
Extinction Ratio	ER	8.2	-	-	dB	
Output Eye	Compliant with ITU-T G.957/STM-4 Eye Mask					
Optical Rise Time	t_r	-	-	1.2	ns	10% to 90% Values
Optical Fall Time	t_f	-	-	1.2	ns	10% to 90% Values
Relative Intensity Noise	RIN	-	-	-120	dB/Hz	
Total Jitter	TJ	-	-	0.55	ns	Measured with 2 ²³ -1 PRBS with 72 ones and 72 zeros.

C-13-622(C)-F-SLC(A)-(-55)-G5

Transmitter Specifications

Parameter	Symbol	Min	Typical	Max	Unit	Notes
Electrical						
Supply Current	I_{CC}	-	-	160	mA	Maximum current is specified at V_{CC} = Maximum @ maximum temperature
Transmitter Enable Voltage	V_{EN}	0	-	0.8	V	
Transmitter Disable Voltage	V_D	2	-	V_{CC}	V	
Data Input Current-Low	I_{IL}	-200	-	-	μ A	
Data Input Current-High	I_{IH}	-	-	200	μ A	
Data Input Voltage-Low	$V_{IL-V_{CC}}$	-2.0	-	-1.58	V	These inputs are compatible with 10K, 10KH and 100K ECL and PECL inputs
Data Input Voltage-High	$V_{IH-V_{CC}}$	-1.1	-	-0.74	V	

Receiver Specifications

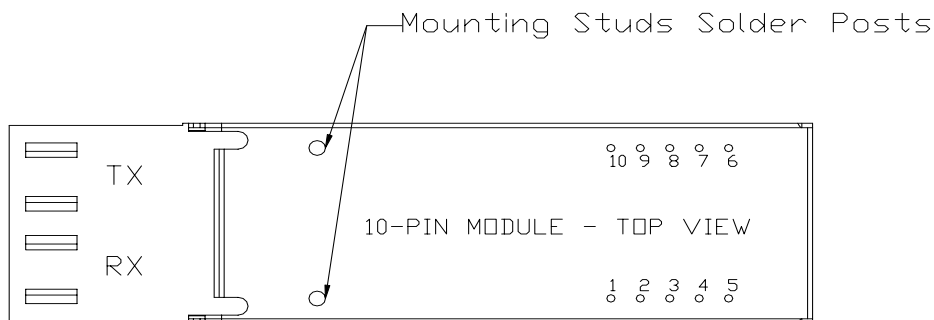
Parameter	Symbol	Min	Typical	Max	Unit	Notes
Optical						
Sensitivity	-	-	-	-28	dBm	Measured with 23-1 PRBS, BER=10 ⁻¹⁰
Maximum Input Power	P_{in}	-3	-	-	dBm	
Signal Detect-Asserted	P_a	-	-	-28	dBm	Measured on transition: low to high
Signal Detect-Deasserted	P_d	-40	-	-	dBm	Measured on transition: high to low
Signal Detect-Hysteresis		1	-	5	dB	
Wavelength of Operation		1100	-	1600	nm	

Receiver Specifications

Parameter	Symbol	Min	Typical	Max	Unit	Note
Electrical						
Supply Current	I_{CC}	-	-	120	mA	The current excludes the output load current
Data Output Voltage-Low	$V_{OL-V_{CC}}$	-2.0	-	-1.58	V	These outputs are compatible with 10K, 10KH and 100KECL and PECL outputs
Data Output Voltage-High	$V_{OH-V_{CC}}$	-1.1	-	-0.74	V	
Signal Detect Output Voltage-Low	$V_{SDL-V_{CC}}$	-2.0	-	-1.58	V	
Signal Detect Output Voltage-High	$V_{SDH-V_{CC}}$	-1.1	-	-0.74	V	

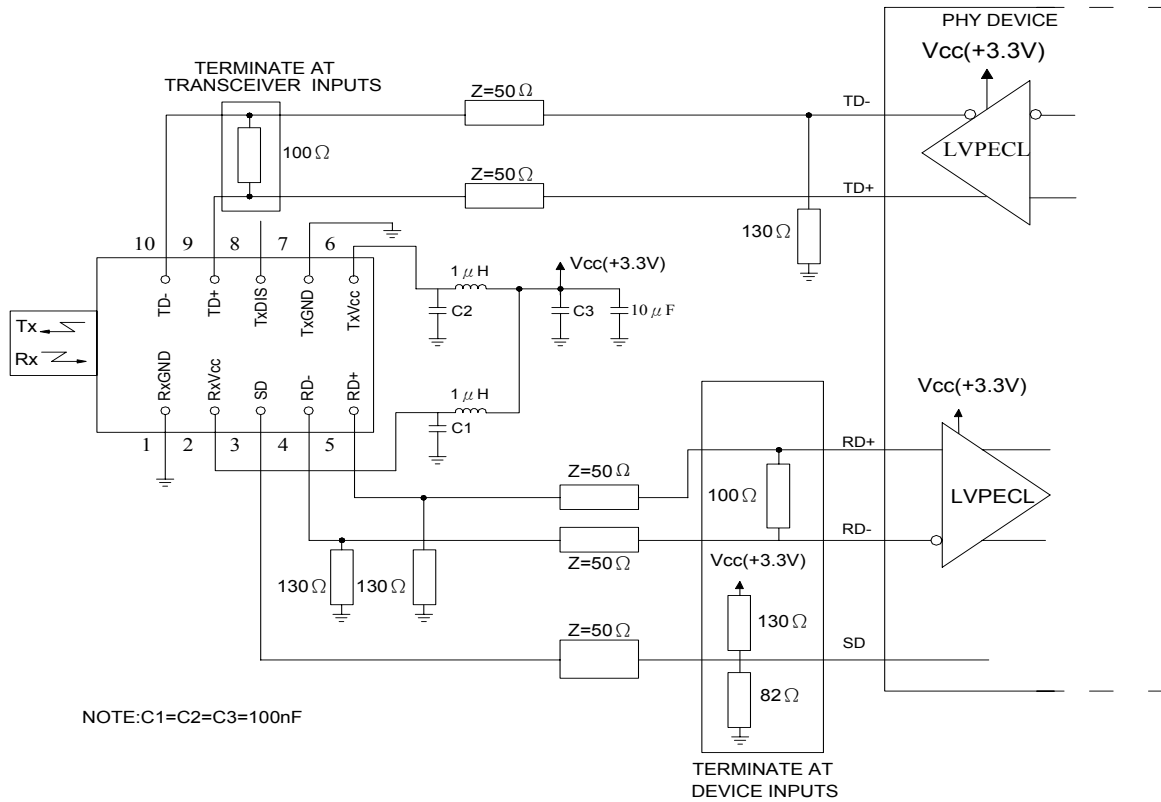
C-13-622(C)-F-SLC(A)-(-55)-G5

Connection Diagram



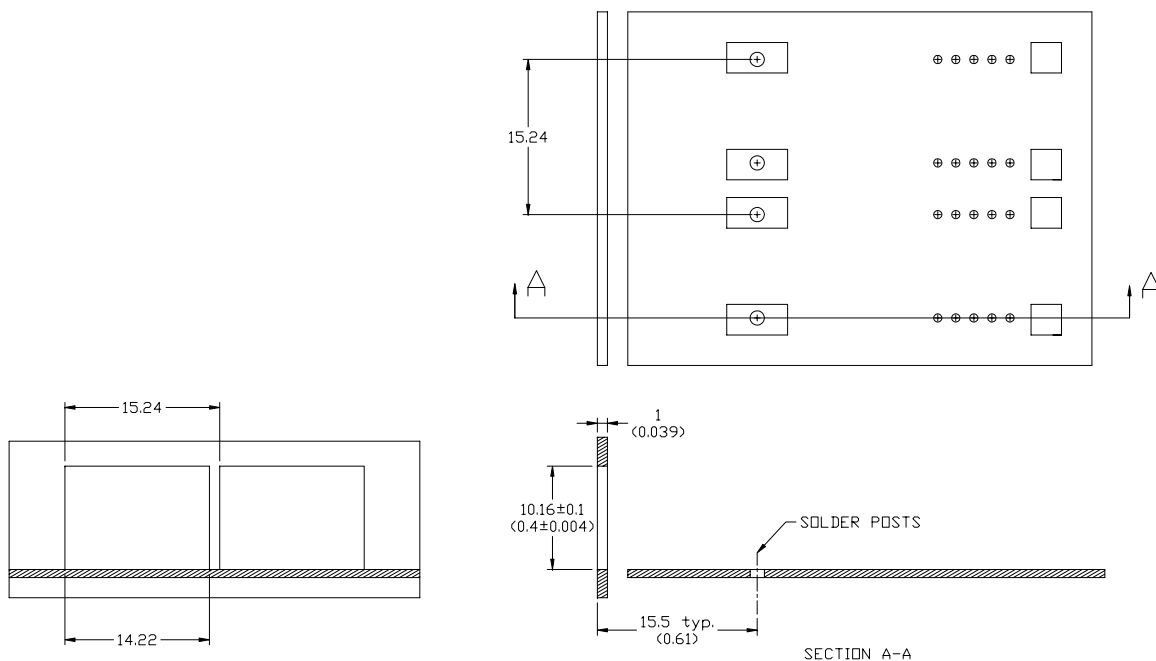
PIN	Symbol	Notes
1	RxGND	Directly connect this pin to the receiver ground plane
2	RxVcc	+3.3V dc power for the receiver section
3	SD	Active high on this indicates a received optical signal(LVPECL)
4	RD-	Receiver Data Out Bar (LVPECL)
5	RD+	Receiver Data Out (LVPECL)
6	TxVcc	+3.3V dc power for the trasmitter section
7	TxGND	Directly connect this pin to the transmitter ground plane
8	TxDIS	Transmitter disable (LVTTTL)
9	TD+	Transmitter Data In (LVPECL)
10	TD-	Transmitter Data In Bar (LVPECL)
Attaching Posts		The attaching posts are at case potential and may be connected to chassis ground. They are isolated from circuit ground.

Recommended Circuit Schematic



The split-loaded terminations for ECL signals need to be located at the input of devices receiving those ECL signals. The power supply filtering is required for good EMI performance. Use short tracks from the inductor L1/L2 to the module Rx Vcc. A GND plane under the module is required for good EMI and sensitivity performance.

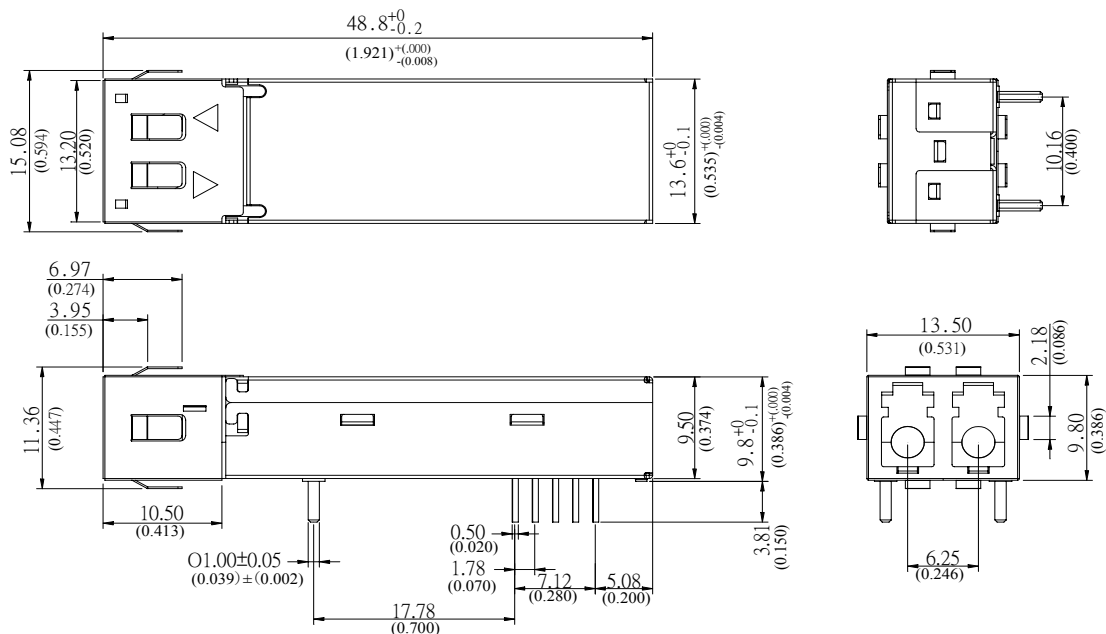
Recommended Panel mounting



DIMENSION IN MILLIMETER (INCHES)

C-13-622(C)-F-SLC(A)-(-55)-G5

Package Diagram



Ordering Information

Available Options :

C-13-622-F-SLC-G5	C-13-622-F-SLC-55-G5
C-13-622C-F-SLC-G5	C-13-622C-F-SLC-55-G5
C-13-622-F-SLCA-G5	C-13-622-F-SLCA-55-G5
C-13-622C-F-SLCA-G5	C-13-622C-F-SLCA-55-G5

Part numbering Definition:

C - 13 - 622(C) - F - S LC TxPower Temperature Range -xx -RoHS

- 13 = Wavelength 1310nm
- Communication protocol (622 Mbps)
622 = PECL Signal Detection Output
622C = TTL Signal Detection Output
- F = +3.3V SFF Transceiver, FP
- Single mode fiber
- Connector options
- Tx Power range
Blank = -15 to -8 dBm
- Temperature range
Blank = commercial temperature(0 to 70 °C)
A = industrial temperature(-40 to 85 °C)
- -55 = lead soldered
Blank = lead free solderd
- Ordering Information
G5 = RoHS compliant

Warnings:

Handling Precautions: This device is susceptible to damage as a result of electrostatic discharge (ESD). A static free environment is highly recommended. Follow guidelines according to proper ESD procedures.

Laser Safety: Radiation emitted by laser devices can be dangerous to human eyes. Avoid eye exposure to direct or indirect radiation.

Legal Notes:**IMPORTANT NOTICE!**

All information contained in this document is subject to change without notice, at LuminentOIC's sole and absolute discretion. LuminentOIC warrants performance of its products to current specifications only in accordance with the company's standard one-year warranty; however, specifications designated as "preliminary" are given to describe components only, and LuminentOIC expressly disclaims any and all warranties for said products, including express, implied, and statutory warranties, warranties of merchantability, fitness for a particular purpose, and non-infringement of proprietary rights. Please refer to the company's Terms and Conditions of Sale for further warranty information.

LuminentOIC assumes no liability for applications assistance, customer product design, software performance, or infringement of patents, services, or intellectual property described herein. No license, either express or implied, is granted under any patent right, copyright, or intellectual property right, and LuminentOIC makes no representations or warranties that the product(s) described herein are free from patent, copyright, or intellectual property rights. Products described in this document are NOT intended for use in implantation or other life support applications where malfunction may result in injury or death to persons. LuminentOIC customers using or selling products for use in such applications do so at their own risk and agree to fully defend and indemnify LuminentOIC for any damages resulting from such use or sale.

THE INFORMATION CONTAINED IN THIS DOCUMENT IS PROVIDED ON AN "AS IS" BASIS. Customer agrees that LuminentOIC is not liable for any actual, consequential, exemplary, or other damages arising directly or indirectly from any use of the information contained in this document. Customer must contact LuminentOIC to obtain the latest version of this publication to verify, before placing any order, that the information contained herein is current.

© LuminentOIC, Inc. 2003
All rights reserved