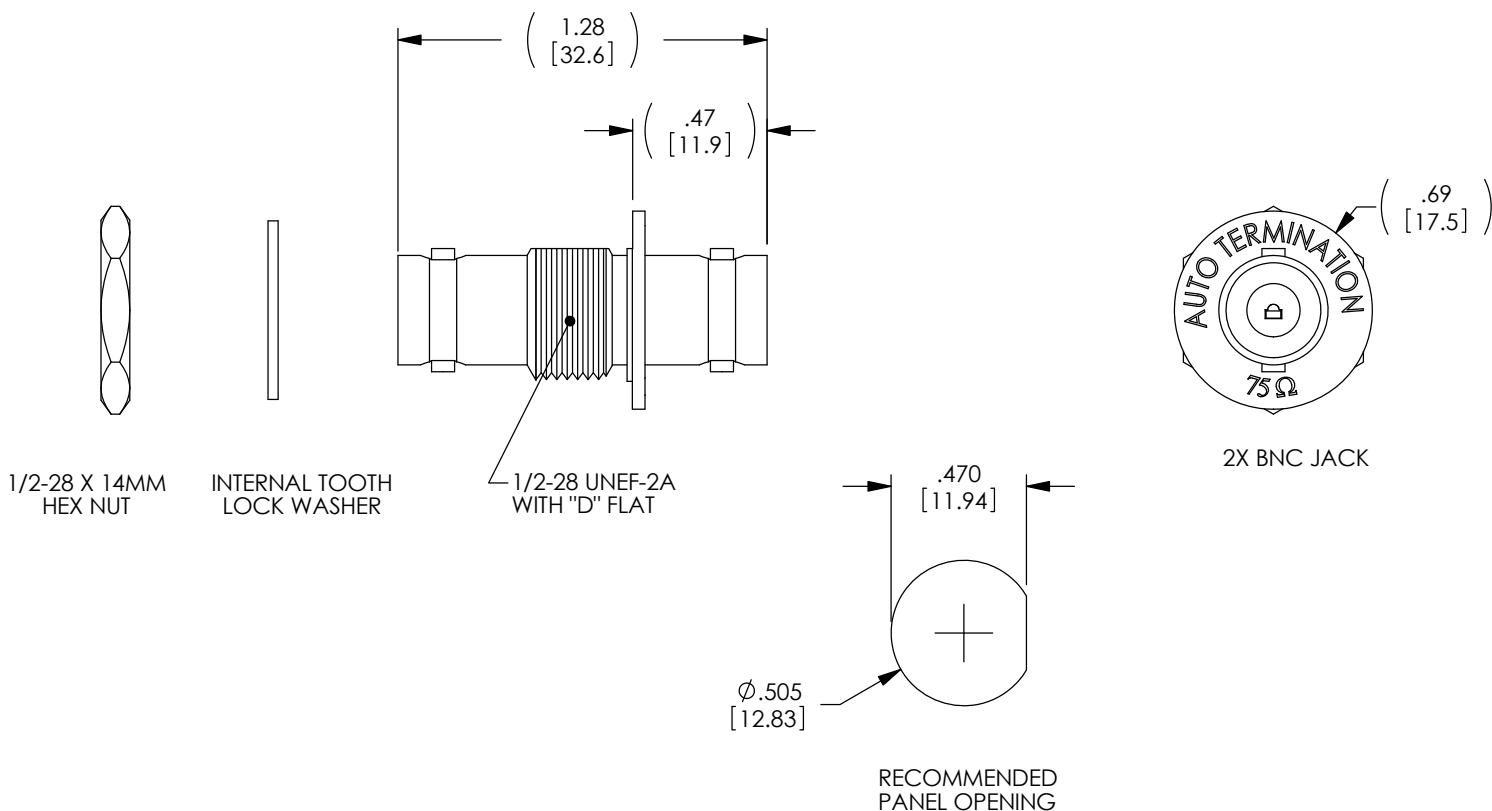


THE INFORMATION CONTAINED IN THIS DRAWING IS THE SOLE PROPERTY OF L-COM, INC. ANY REPRODUCTION IN PART OR WHOLE WITHOUT THE WRITTEN PERMISSION OF L-COM, INC. IS PROHIBITED.

REVISIONS			
REV	DESCRIPTION	DATE	APPROVED
A	DRAWING REPLACES BA307-75-OD1	7/3/14	D.FRISIELLO

DESCRIPTION	MATERIAL	PLATING
BODY	ZINC ALLOY DIE CASTING	NICKEL
DIELECTRIC	ACETAL	N/A
CENTER PINS	BRASS	GOLD



NOTES:

1. BNC PLUGS MUST BE INSTALLED ON BOTH JACKS TO DISCONNECT 75-OHM 1/4-WATT TERMINATING RESISTOR BETWEEN OUTER SHELL AND CENTER CONDUCTOR. FOR SIGNAL LEVEL ENERGY ONLY.
2. COMPONENT SHALL BE INDIVIDUALLY PACKAGED IN ACCORDANCE WITH L-COM SPECIFICATION PS-0031.

REGULATORY COMPLIANCE:
CE2011/65/EU(RoHS DIRECTIVE)

UNLESS OTHERWISE SPECIFIED, DIMENSIONS ARE IN INCHES [mm] OVERALL CABLE LENGTH TOLERANCE: ≤12 [305] = +1 [25] / -0 >12 [305] ≤60 [1524] = +2 [51] / -0 >60 [1524] ≤120 [3048] = +4 [102] / -0 >120 [3048] ≤300 [7620] = +6 [152] / -0 >300 [7620] = +5% / -0%	APPROVALS	DATE		45 BEECHWOOD DRIVE NORTH ANDOVER, MA 01845
	DRAWN BY TJC	5/14/02		CATEGORY
ALL OTHER DIMENSIONAL TOLERANCES: .X = ±.2 [5.08] .XX = ±.02 [1.51] .XXX = ±.005 [1.13]	CHECKED BY DFP	5/25/02	PRODUCT DESCRIPTION ADAP AUTO TERM BNC F 75 OHM	
	APPROVED BY CM	5/28/02		
PROJECTION 	CONFIGURATION DETAILS OF UNDIMENSIONED FEATURES MAY VARY		DWG. NO. BA307-75	REV. A
COLOR VARIATIONS MAY OCCUR		SCALE: NONE	CAD FILE: BA307-75.SLDDRW	SHEET 1 OF 1