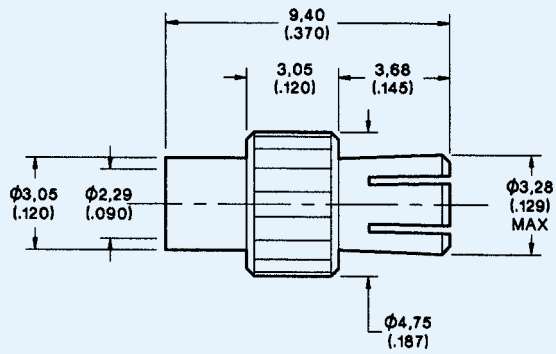


Jacks

Cable Jack, Press-in Mount

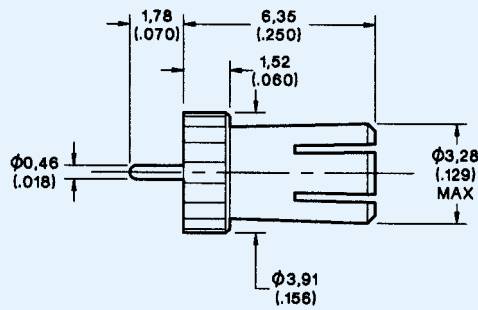
Part Number	Cable Number
052-908-8049220	RG405/U



Mounting Plan FF (Page 109). Assembly Instruction AI-632 (Page 124)

Bulkhead Jack, Stub Contact, Press-in Mount

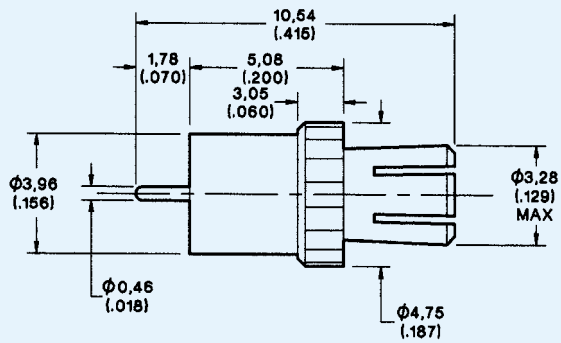
Part Number
052-943-8109220



Mounting Plan FF (Page 109)

Bulkhead Jack, Extended Stub Contact, Press-in Mount

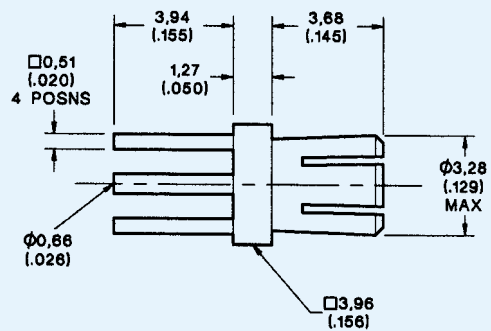
Part Number
052-943-8169220



Mounting Plan FF (Page 109)

Jack Receptacle, PCB Mount

Part Number
052-951-800220



Mounting Plan G (Page 108)