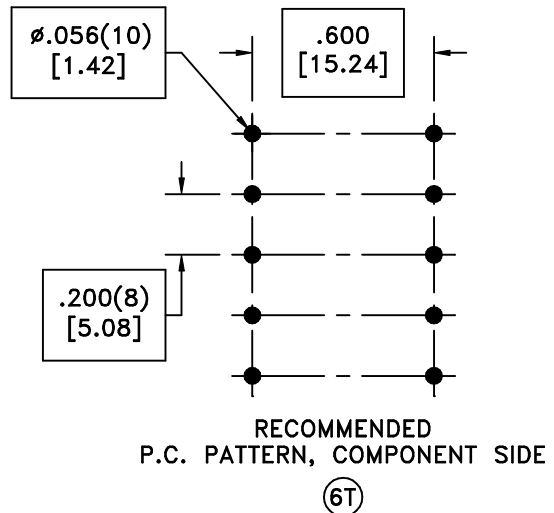
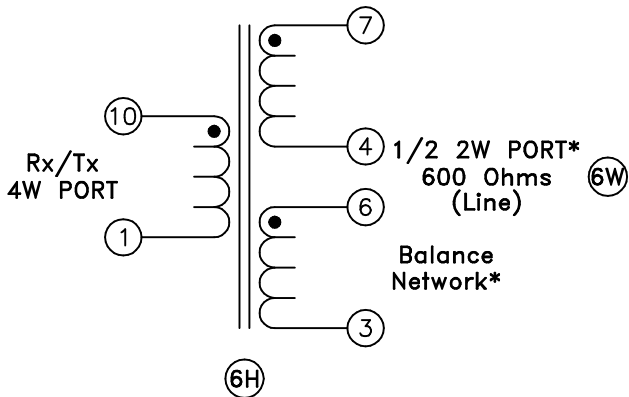


SOLDER SUFFIX	CUSTOMER TERMINAL	RoHS	LEAD(Pb)-FREE
	Sn63%, Pb37%	No	No
LF1	Sn96%, Ag4%	Yes	Yes



ELECTRICAL SPECIFICATIONS @ 25°C unless otherwise noted:

- IMPEDANCE: (2W and 4W) 600 ohms resistive.
- RETURN LOSS: 9dB min. for hybrid configuration, 300 - 3500Hz, 80mADC.*
- D.C. RESISTANCE (@20°C):
 10-1, 73 ohms ±20%.
 6-3, 85 ohms ±20%.
 7-4, 44 ohms ±20%.
- INSERTION LOSS: 1.6dB max. (single) or 4.6dB max. (hybrid).*
- TRANSYBRID LOSS: 55dB min. in hybrid configuration 300 - 3500Hz, 80mADC.*
- FREQUENCY RESPONSE: ±1.0dB, 300 - 3500Hz, 80mADC.*
- LONGITUDINAL BALANCE: 60dB min. at 1kHz per FCC Part 68, ungrounded.*
- DIELECTRIC RATING: 1250VAC for 1 second between 2W and 4W.

*Refer to AD-671-1898 for details.
 Midcom p/n 671-1898-LF1 is eiSos p/n: 7500711898.

DETAILS SUBJECT TO CHANGE

Unless otherwise specified: Tolerances: Angles: ±1° Fractions: ±1/64 Decimals: ±.005[.13]	DRAWING TITLE TRANSFORMER HYBRID eiSos p/n: 7500711898	Midcom www.midcom-inc.com	DRAWING NO. 671-1898/-LF1 REV. 6X/4/08
	REVISIONS: SEE SHEET 1	SCALE --- SHEET 2 OF 6	

This drawing is dual dimensioned.
 Dimensions in brackets are in millimeters.

DWG.# 671-1898/-LF1