

62121

LIGHT EMITTING DIODE



09/22/03

Features:

- Hermetically sealed
- High output, 880 nm
- Small package

Applications:

- Touch screen arrays
- Reflective sensors
- Position sensors
- Level sensors

DESCRIPTION

The **62121** is an Infrared Light Emitting Diode in a flat lensed TO-46 package and is spectrally matched to silicon phototransistors and photodarlington. Available as commercial or screened levels.

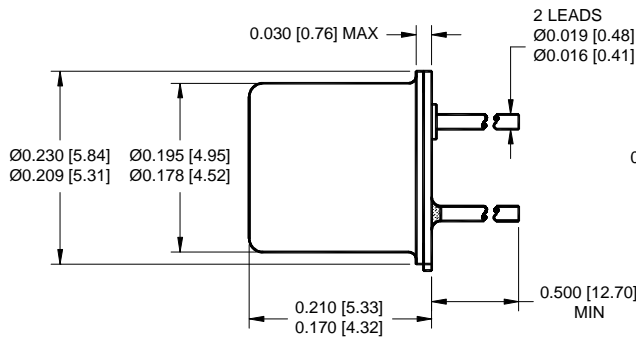
ABSOLUTE MAXIMUM RATINGS 25°C FREE AIR TEMPERATURE UNLESS NOTED

Reverse Voltage.....	2Vdc
Forward Current-Continuous (Note 1).....	120mA
Storage Temperature.....	-55°C to +150°C
Operating Temperature	-55°C to +125°C
Soldering Temperature (10 seconds, 1/16" from case)	240°C

NOTES:

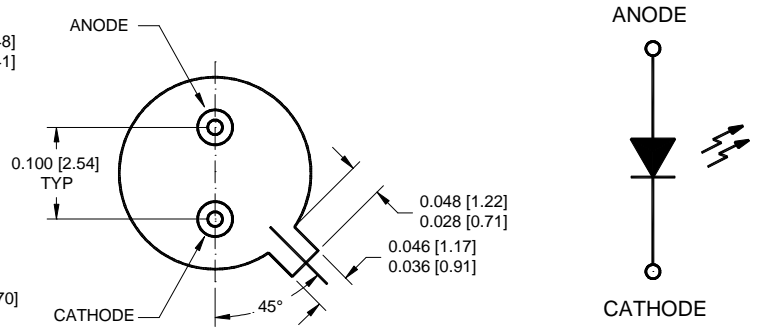
1. Derate linearly to 125°C case temperature at the rate of 1.2 mA/°C.

Package Dimensions



ALL DIMENSIONS ARE IN INCHES [MILLIMETERS]

Schematic Diagram



THE ANODE IS IN ELECTRICAL CONTACT WITH THE CASE.

62121

LIGHT-EMITTING DIODE

09/22/03

ELECTRICAL CHARACTERISTICS

T_A = 25°C unless otherwise specified.

PARAMETER	SYMBOL	MIN	TYP	MAX	UNITS	TEST CONDITIONS	NOTE
Output Power	P _O	10			mW	I _F = 50mA	
Forward Voltage	V _F			1.45	V	I _F = 50mA	
Reverse Breakdown Voltage	B _{VR}	6			V	I _R = 10μA	
Radiation Rise Time	t _R		0.7		μs		
Peak Wavelength	λ _P		880		nm	I _F = 100mA	
Beam Angle	θ		40		degrees		1
Forward Max Continuous Current	I _{F(MAX)}			120	mA	25°C Case	

NOTES:

1. Angle between half-intensity points.

RECOMMENDED OPERATING CONDITIONS:

PARAMETER	SYMBOL	MIN	MAX	UNITS
Forward Current	I _F		50	mA

SELECTION GUIDE

PART NUMBER	PART DESCRIPTION
62121-001	Commercial
62121-101	Screened