



Home

About Us

Products

Brand Value

News

Recruitment

Contact Us



Please enter U&T part number for

Popular Searches: [UTH20C01](#) [UTH16P05](#) [UTG18T01](#) [UTG96T01](#) [UTT24C01](#)

## Products List

100 Base-T

1000 Base-T

2.5/5/10G Base-T

→ 2.5G Base-T

→ 2.5G

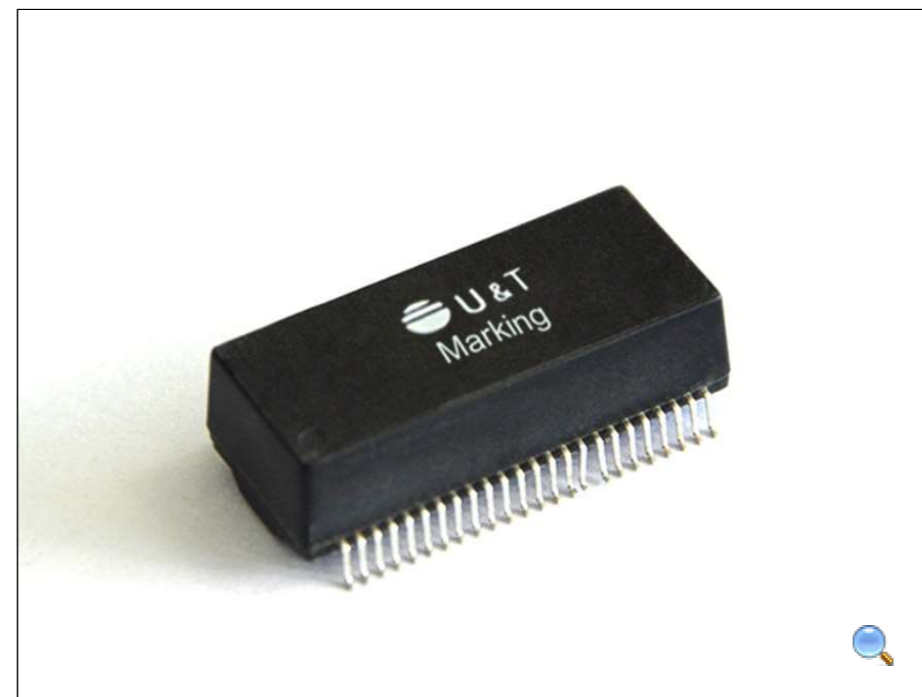
→ 2.5G POE

→ 2.5G UPOE

→ 5G Base-T

→ 10G Base-T

Your present location: [Home](#) >> [2.5/5/10G Base-T](#) >> [2.5G Base-T](#) >> [2.5G UPOE](#) >> [UTV48C01U](#)



Name: UTV48C01U

No.: [UTV48C01U](#)

Views : 60



[Browse similar products](#)

Previous [UTV24C01U](#)

Page :

Next : [UTV96T01U](#)

**Details**



**2.5G BASE-T UPoE Dual Port Magnetic Module**  
**P/N: UTV48C01P DATA SHEET**

Page : 1/1

**Feature**

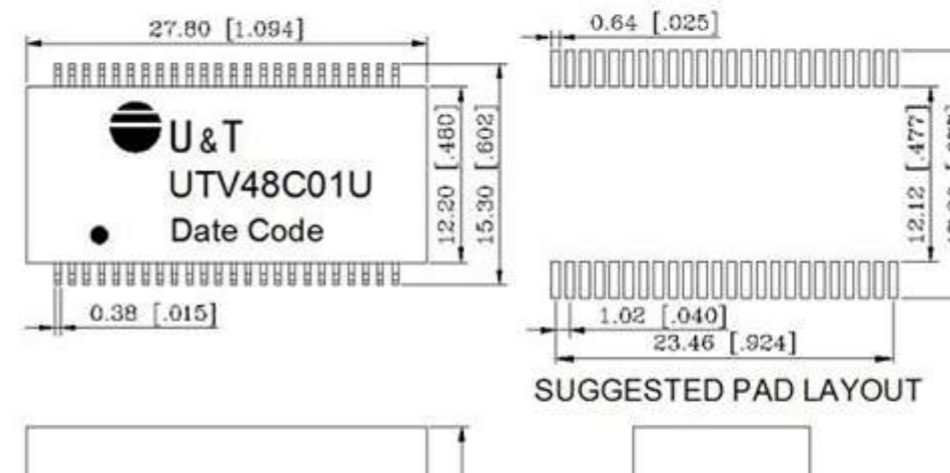
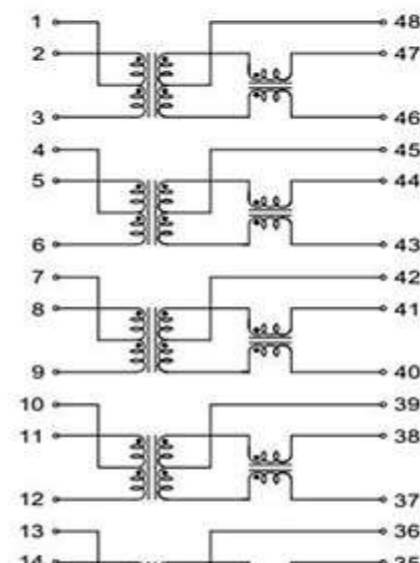
- Suitable for UPoE applications
- Comply with RoHS requirements.
- Operating temperature range: 0°C to +70°C.
- Storage temperature range: 0°C to +85°C.

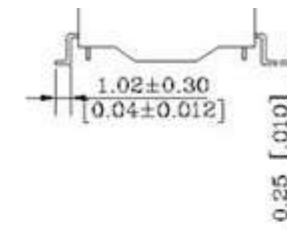
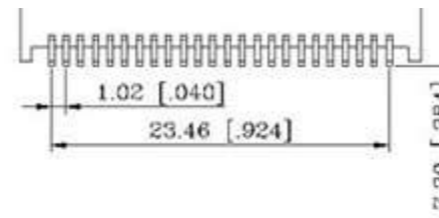
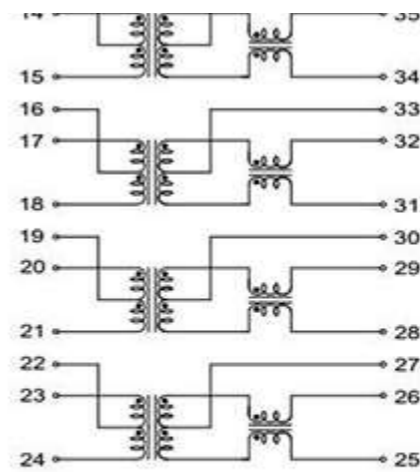
**Electrical Specifications @ 25°C**

OCL:	180uH Min. @100KHz/0.1V with 8mA DC Bias
Hi-POT :	1500Vrms
Turn Ratio:	1:1±3%
D.C.R:	1.0 ohm Max
Insertion Loss:	1.0dB Max@1-100MHz
	1.5dB Max@125MHz
Cross Talk :	30dB Min@1-125MHz
DM-CM Rejection	35dB Min@1-125MHz
CM-CM Rejection	30dB Min@1-200MHz
Return Loss:	18dB Min @1-40MHz
	18-15log(f/40MHz)dB Min@40-200MHz

**Schematic**

**Mechanical**





1.Unless otherwise specified, all tolerances are  $\pm 0.25[.01]$

2.Coplanarity:0.1[.004]

3.Unit mm[inch]

[Http://www.utlimited.com](http://www.utlimited.com)

E-mail:[sales@utlimited.com](mailto:sales@utlimited.com)

Tel:+86-752-2761008

Fax:+86-752-2761009

Key words :

LINK:

U&T HL TECHNOLOGY GROUP LIMITED



ADD: Honglin Industrial Park, Dongjiang Hi-tech Zone, Huicheng District, Huizhou City, Guangdong Province, P.R.C.  
 Zip Code: 516000  
 TEL: 0752-2761008  
 FAX: 0752-2761009  
 Email: [sales@utlimited.com](mailto:sales@utlimited.com)

### About Us

Company Profile  
 Development  
 Company Culture  
 Enterprise Honor

### Products

2.5&5&10G Base-T  
 100 Base-T  
 1000 Base-T

### Brand Value

R & D Advantage  
 Advantages  
 Quality  
 Certification

### News

Company News  
 Industry Information

### Recruitment

Positions

### Contact

Contact Us  
 Map  
 Messages