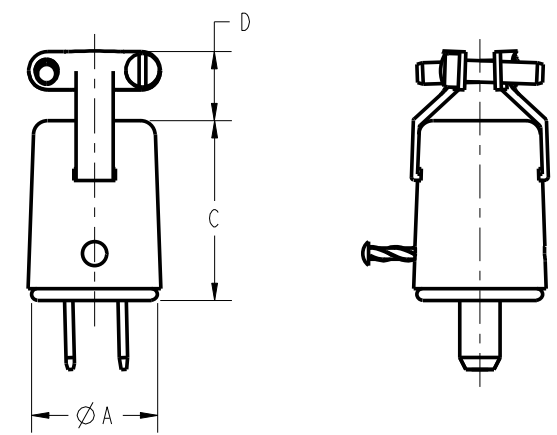
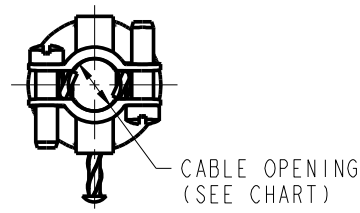
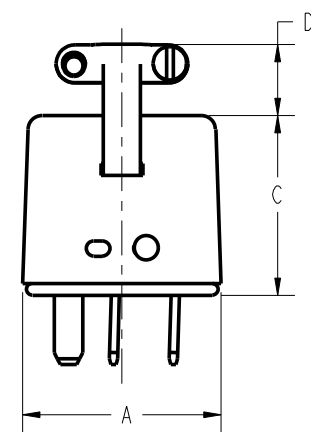
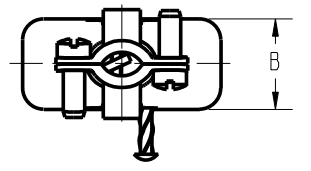


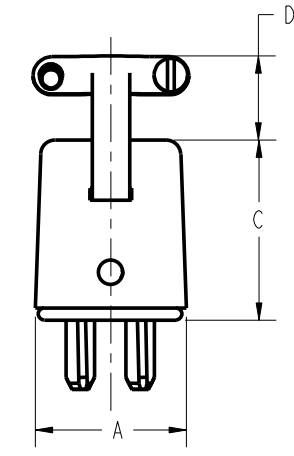
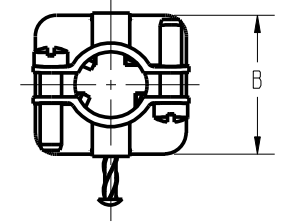
DRAWING REVISIONS			
REV	DOCUMENT	APP	DATE
1	DO 06-1067		



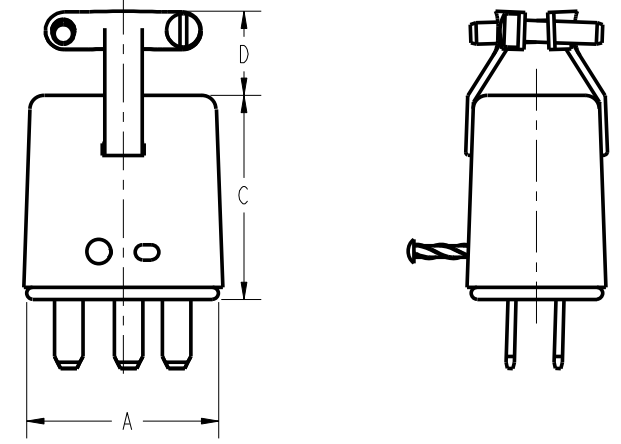
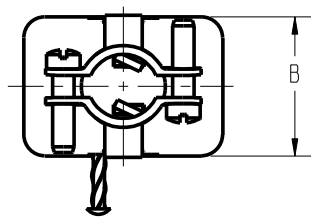
TYPE 1



TYPE 2



TYPE 3



TYPE 4

PART NUMBER	TYPE	A REF	B REF	C REF	D REF	CABLE OPENING REF	FACTORY NUMBER
P-302H-CCT	1	$\varnothing .691$ [$\varnothing 17.55$]	-	.953 [24.21]	.359 [9.12]	.375 [9.53]	703 01 02 002
P-303H-CCT	2	1.034 [26.26]	.472 [11.99]	.953 [24.21]	.359 [9.12]	.313 [7.95]	703 01 03 002
P-304H-CCT	3	.786 [19.96]	.724 [18.39]	.953 [24.21]	.468 [11.89]	.375 [9.53]	703 01 04 002
P-306H-CCT	4	1.036 [26.31]	.724 [18.39]	1.078 [27.38]	.484 [12.29]	.438 [11.13]	703 01 06 002

NOTES:

1. SPECIFICATIONS:

ELECTRICAL:
 OPERATING VOLTAGE: 250 VAC RMS
 CURRENT RATING: 10 AMPS
 CONTACT RESISTANCE: 16 MILLIOHMS MAX

INSULATOR, CAP: GENERAL PURPOSE PHENOLIC, BLACK

CONTACT: BRASS, MATTE TIN

BRACKET, SCREW, DRIVE PIN: STEEL, ZINC WITH CLEAR TRIVALENT CHROMATE

ENVIRONMENTAL:
 OPERATING TEMPERATURE: UP TO +105°C

TERMINATION: SOLDER

2. DIMENSIONS IN [] ARE IN MILLIMETERS

3. ALL DIMENSIONS ARE REFERENCE

RoHS COMPLIANT

UNITS ENGLISH INCHES	PRO/E	MODELED BY: JIMENEZ
DO NOT SCALE DRAWING	DRAWN BY JIMENEZ	DATE 6/20/06
UNLESS OTHERWISE SPECIFIED: ALL DIMENSIONS ARE IN INCHES	DESIGN ENGINEER A. BALI	TITLE PLUG ASSEMBLY CABLE CLAMP TOP
FILLET/RADII .02 MAX	DESIGN ENGINEERING MGR.	MATERIAL
TOLERANCES XXX ± .005 ANGULAR ± .5°	MFG. ENGINEERING	MATERIAL SPEC NUMBER
THIS DOCUMENT IS THE PROPERTY OF CINCH. NEITHER THIS DOCUMENT NOR ANY OF THE INFORMATION CONTAINED IN IT MAY BE DUPLICATED OR DISCLOSED WITHOUT PRIOR WRITTEN CONSENT OF CINCH.	QUALITY ASSURANCE	FINISH
		PROJECT NUMBER C14789-1
		CAD FILE NUMBER P302HCCT
		DRAWING NUMBER P-302H-CCT
		CAGE IDENT NO. SIZE 71785 B
		SCALE 1:1
		SHEET 1 OF 1