

Smart Power Switch

FEATURES

- 300mA Continuous Output Current
- Low Side or High Side Switch Configuration
- 8V to 65V Operation
- Overload and Short Circuit Protection
- Power Interruption Protection
- +6V Regulated Voltage
- 2mA Quiescent Current
- Programmable Overcurrent and Power Interruption Protection (on UC37132)
- 1% to 30% Programmable Input Comparator Hysteresis (on UC37132)
- Low and High Side Internal Clamps When Driving Inductive Loads

DESCRIPTION

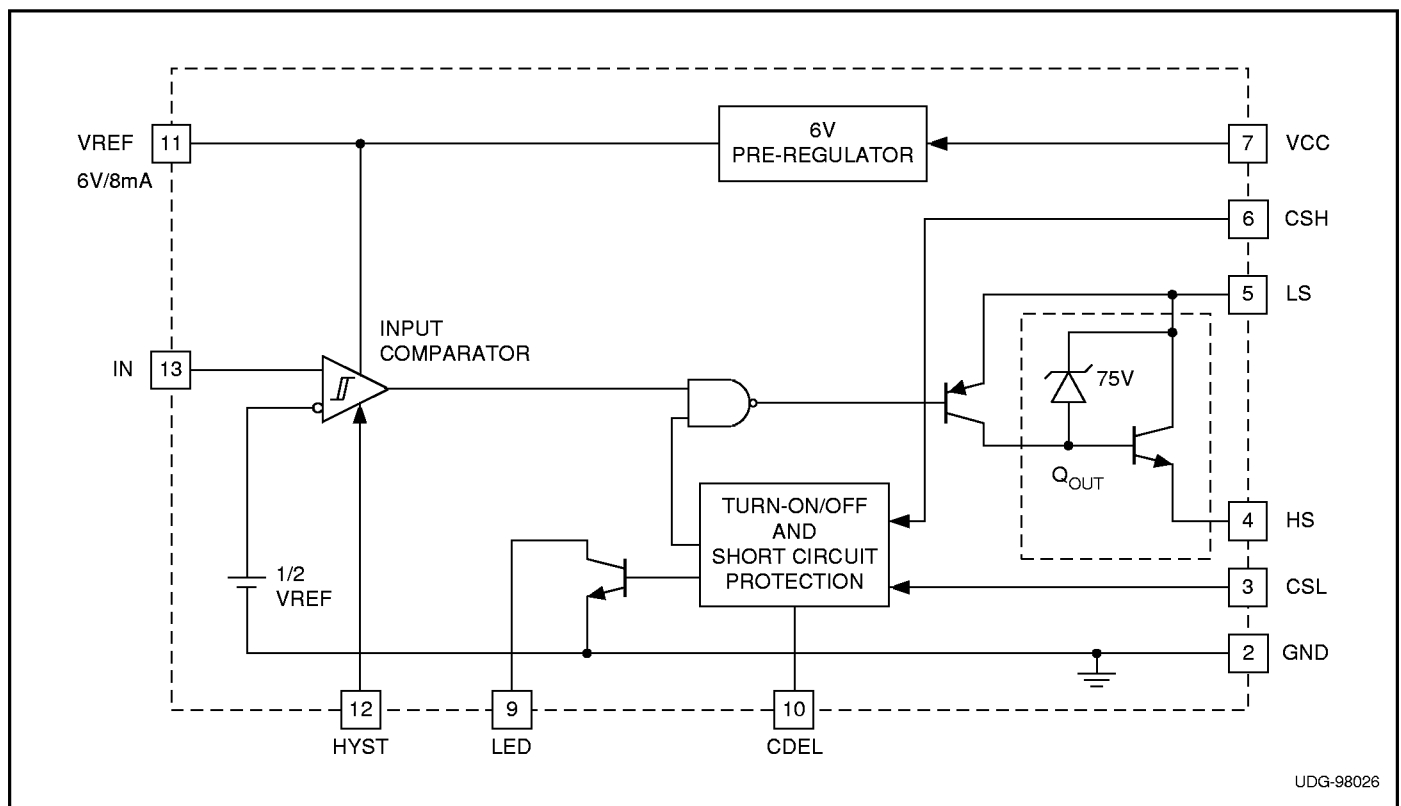
The UC37131, UC37132 and UC37133 are a family of smart power switches which can drive resistive or inductive loads from the high side or low side.

The UC37132 is available in 14 pin (DIP), 16 pin (SOIC), or 20 pin (CLCC) packages and can accommodate both low side (load to VCC) or high side (load to GND) configurations. The UC37131 and UC37133 are exclusively for a low side or a high side configuration respectively and both are available in an 8 pin package. Both high side and low side configurations provide high current switching with low saturation voltages which can drive resistive or inductive loads.

The input to the switch is driven by a low voltage signal, typically 5V. Additionally, UC37132 features adjustable hysteresis. The output of the device can switch a load between 8V and 65V. Output current capability is 300mA continuous or 700mA peak.

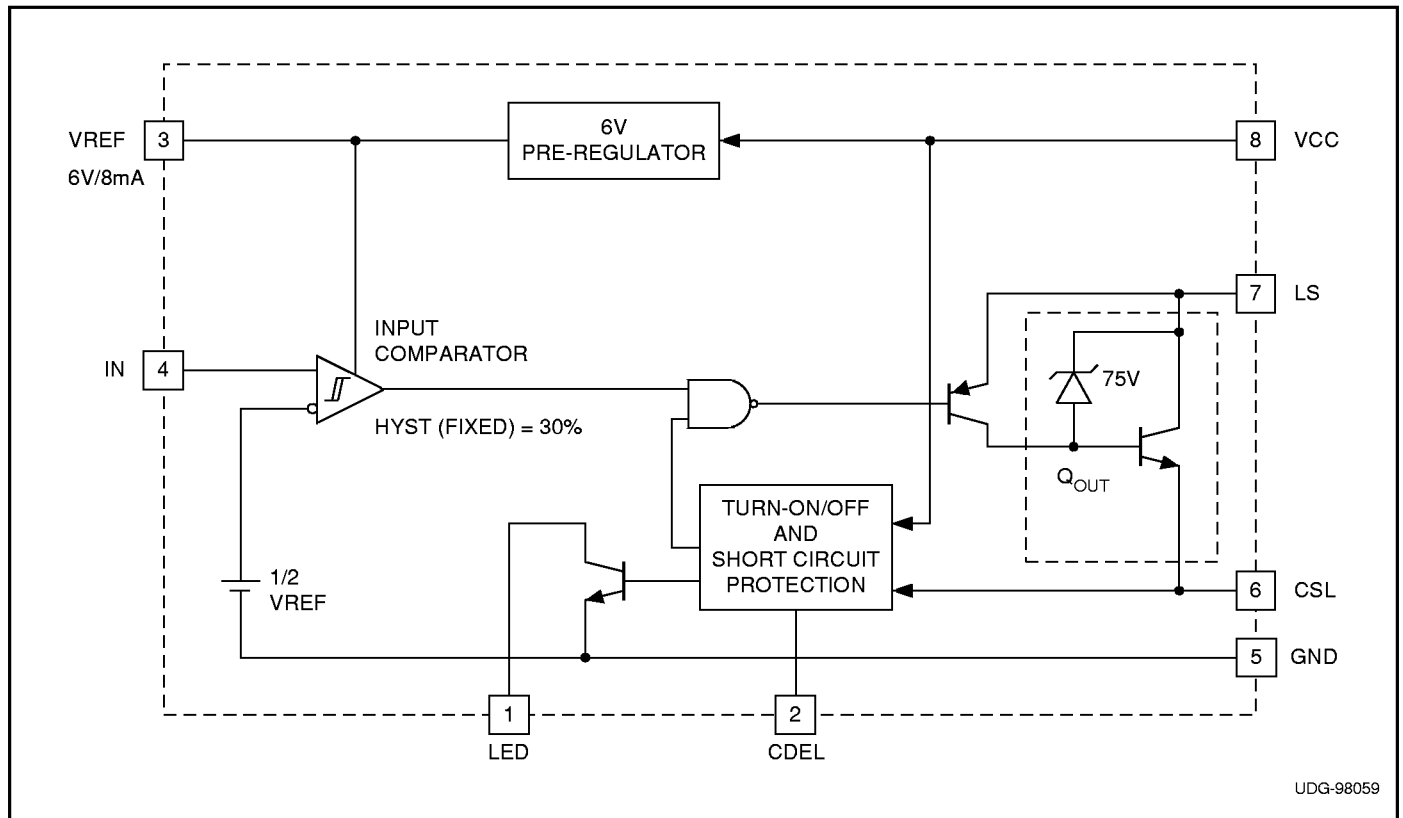
The device also has inherent smart features that allow for programmable turn-on delay in enabling the output following startup. The same capacitor that specifies the turn-on delay is also used to program a VCC power interruption time. If VCC drops below a threshold for a time specified by this capacitor, the output is turned off and a new turn-on delay will be re-triggered. Similarly, if high current persists longer than the response delay, the output driver will operate in a very low duty cycle mode to protect the IC.

UC37132 BLOCK DIAGRAM

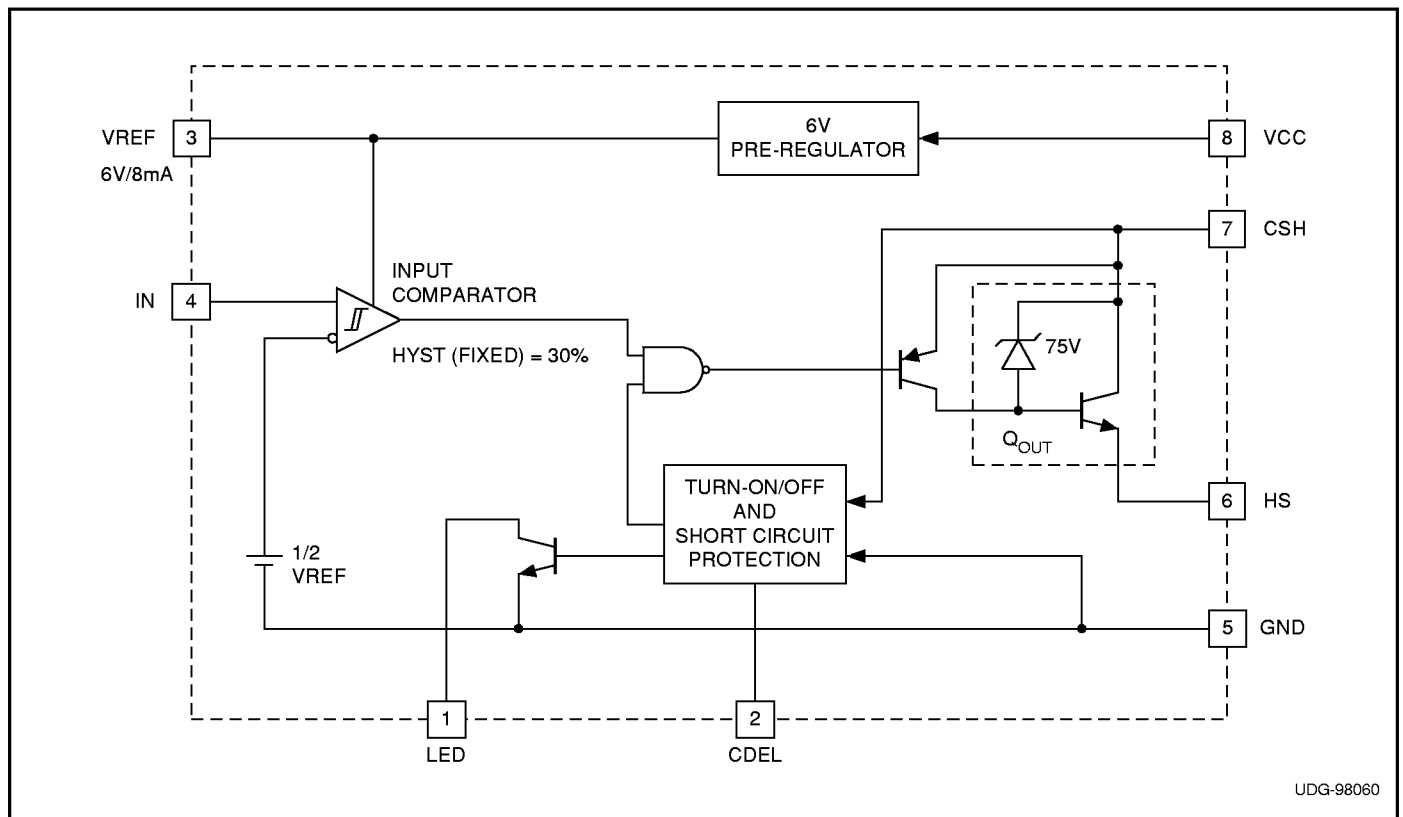


UDG-98026

UC37131 BLOCK DIAGRAM



UC37133 BLOCK DIAGRAM

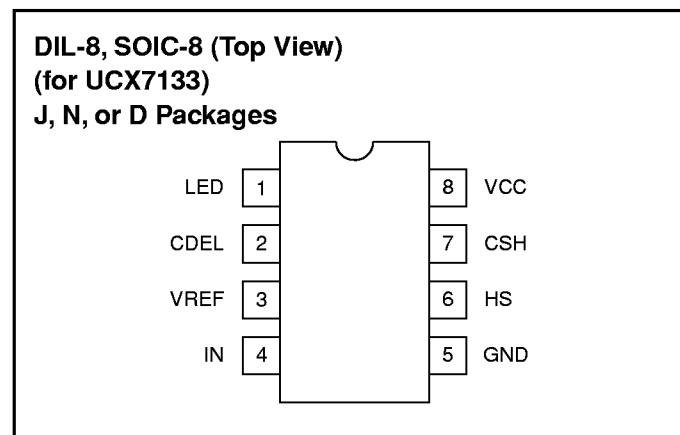
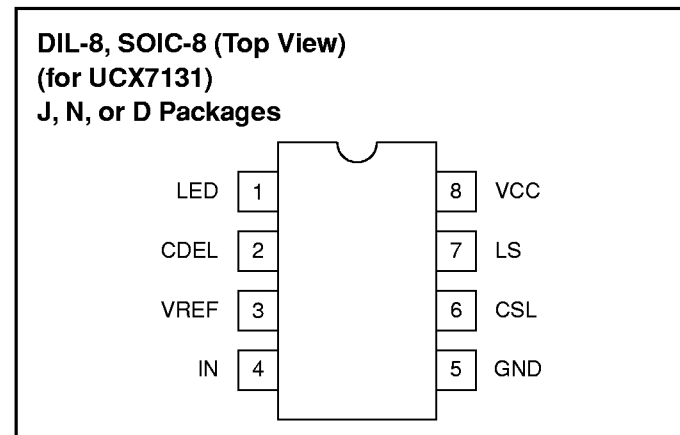
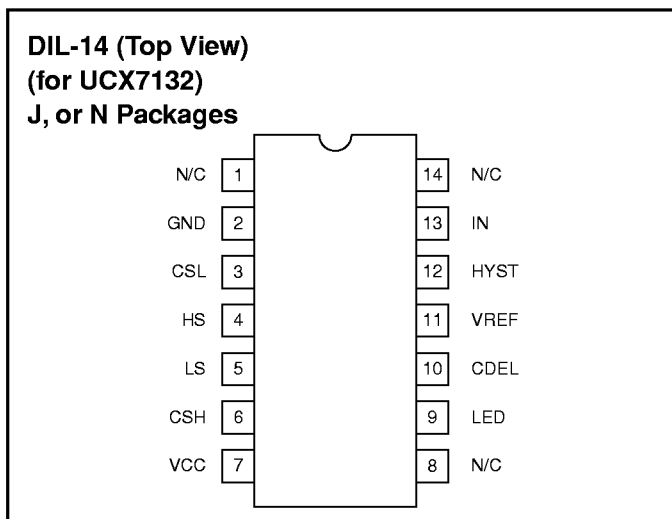
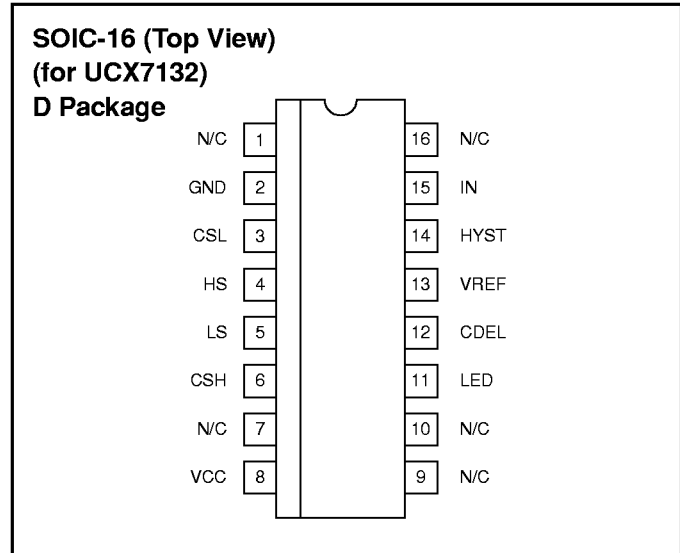
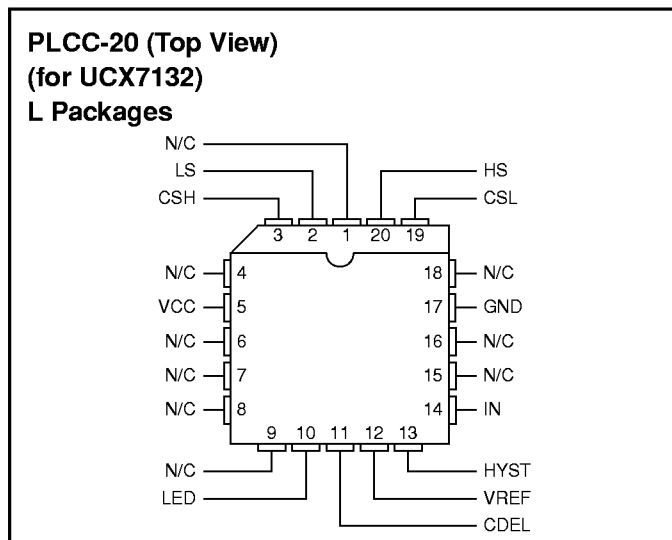


ABSOLUTE MAXIMUM RATINGS

| | |
|---|-----------------|
| VCC | 65V |
| LS – HS (Clamped by internal circuitry) | 75V |
| CSH, LED | 65V |
| Output Current | |
| Continuous | 300mA |
| Peak | 700mA |
| Remaining Pin Voltages | –0.3V to 9V |
| Storage Temperature | –65°C to +150°C |
| Junction Temperature | –55°C to +150°C |
| Lead Temperature (Soldering, 10 sec.) | +300°C |

Currents are positive into, negative out of the specified terminal. Consult Packaging Section of Databook for thermal limitations and considerations of packages.

CONNECTION DIAGRAMS



PRODUCT SELECTION TABLES

| PART NUMBER | CONFIGURATIONS | PACKAGE PIN COUNT |
|-------------|-----------------------|-------------------|
| UCX7131 | Low Side Only | 8 |
| UCX7132 | Low Side or High Side | 14, 16, 20 |
| UCX7133 | High Side Only | 8 |

| PART NUMBER | TEMPERATURE RANGE | AVAILABLE PACKAGES |
|-------------|-------------------|--------------------|
| UC1713X | –55°C to +125°C | J, L |
| UC2713X | –40°C to +85°C | D, N |
| UC3713X | 0°C to +70°C | D, N |

ELECTRICAL CHARACTERISTICS Unless otherwise specified, CDEL = 10nF, VCC = 25V, CSL = GND, CSH = LS; R_{CSH} = 0.5Ω (Note 1); I_N=0V (for OFF condition) and I_N=5V (for ON condition); T_A = T_J.

| PARAMETER | TEST CONDITIONS | MIN | TYP | MAX | UNITS |
|--|---|-----|-----|-----|-------|
| Reference | | | | | |
| VREF | 25°C | 5.8 | 6 | 6.2 | V |
| | -55°C to 125°C | 5.6 | 6 | 6.4 | V |
| Line Regulation | VCC = 8V to 64V | | 10 | 50 | mV |
| Load Regulation | 0 < IREF < 8mA | | 10 | 50 | mV |
| Short Circuit Current | REF = 0V | | 20 | 35 | mA |
| Input Comparator | | | | | |
| Turn-On Threshold Voltage | | | 3 | | V |
| Input Bias Current | V _{IN} = 3.5V | | | 5 | μA |
| Hysteresis | R _{HYST} = GND (Internally for X31, X33) | | 0.9 | | V |
| | R _{HYST} = 96.67k for (X32) | | 30 | | mV |
| Output: High Side (UCX7133: CSH = LS and CSL = GND Internally; See Fig. 2a) | | | | | |
| Rise Time (Off to On) | R _{LOAD} = 250Ω to GND | | 20 | | V/μs |
| Fall Time (On to Off) | R _{LOAD} = 250Ω to GND | | 5 | | V/μs |
| Output Short Circuit | HS = GND | | 700 | | mA |
| Voltage Clamp | LS-HS | | 75 | | V |
| Saturation Voltage | 25°C, R _{LOAD} = 100Ω to GND | | | 1.2 | V |
| | -40°C, R _{LOAD} = 100Ω to GND | | | 1.3 | V |
| | -55°C, R _{LOAD} = 100Ω to GND | | | 1.4 | V |
| Leakage Current | | | | 5 | μA |
| Output: Low Side (UCX7131; CSH = VCC and CSL = HS Internally; See Fig. 2b) | | | | | |
| Rise Time (On to Off) | R _{LOAD} = 250Ω to VCC, R _{CSL} = 0.5Ω | | 5 | | V/μs |
| Fall Time (Off to On) | R _{LOAD} = 250Ω to VCC, R _{CSL} = 0.5Ω | | 20 | | V/μs |
| Output Short Circuit | LS = VCC | | 700 | | mA |
| Voltage Clamp | LS-HS | | 75 | | V |
| Saturation Voltage | 25°C, R _{LOAD} = 100Ω to VCC, R _{CSL} = 0.5Ω | | | 1.2 | V |
| | -40°C, R _{LOAD} = 100Ω to VCC, R _{CSL} = 0.5Ω | | | 1.3 | V |
| | -55°C, R _{LOAD} = 100Ω to VCC, R _{CSL} = 0.5Ω | | | 1.4 | V |
| Leakage Current | | | | 5 | μA |
| VCC Fault Section | | | | | |
| Output Turn-On Delay, t _{D(ON)} | Step VCC from 0V to 8V (See Fig. 3a) | | 12 | | ms |
| Output Turn-Off Delay, t _{D(OFF)} | Pulse VCC from 25V to VCC Turn-Off Threshold | | 500 | | μs |
| VCC Turn-Off Threshold | Pulse VCC Low | | 7 | | V |
| CDEL Section | | | | | |
| V _{CDEL_MAX} | | | 5.8 | | V |
| V _{FAULT_H} | | | 4.9 | | V |
| V _{FAULT_L} | | | 1.3 | | V |
| Overcurrent Fault Section (See Fig. 3c) | | | | | |
| Short Circuit Turn-Off Delay, t _{SC} | Step I _{LOAD} : 0mA to 400mA | | 75 | | μs |
| Short Circuit Recovery Time, t _{ROFF} | I _{LOAD} = 400mA, 100μs | | 10 | | ms |
| High Side Current Threshold, I _{TH-H} | R _{CSH} = 0.5Ω | | 300 | | mA |
| Low Side Current Threshold, I _{TH-L} | R _{CSL} = 0.5Ω | | 300 | | mA |

ELECTRICAL CHARACTERISTICS Unless otherwise specified, CDEL = 10nF, VCC = 25V, CSL = GND, CSH = LS; R_{CSH} = 0.5Ω (Note 1); I_N=0V (for OFF condition) and I_N=5V (for ON condition); T_A = T_J.

| PARAMETER | TEST CONDITIONS | MIN | TYP | MAX | UNITS |
|---|---|-----|-----|-----|-------|
| LED Output | | | | | |
| I _{SINK} , t _{DOFF} , t _{ROFF} | V _{LED} = 7V | | 7.5 | | mA |
| I _{LEAKAGE} | | | 1 | | μA |
| Overall | | | | | |
| Delay to Output | | | 2 | | μs |
| I _{CC} | Output Off | | | 2 | mA |
| | I _L = 1mA, 250mA (High and Low Side) | | | 3 | mA |

Note 1: All test conditions are for a high side configuration as in Fig. 2a, unless otherwise specified.

PIN DESCRIPTIONS

CDEL: A capacitor connected to this pin is used to program both VCC pulse interruption time and power turn-on delay. The capacitor discharge time corresponds to VCC interruption and the charge time to VCC turn-on delay. The ratio between turn-on delay and turn-off delay will be fixed based on internal charge and discharge currents and voltage thresholds.

The same fault circuitry and capacitor is used for short circuit and overload protection. If an overcurrent or short circuit is detected, the capacitor starts charging and turns off the output if the condition persists at the end of its charge time. The output will then operate in a low-duty cycle mode to protect the IC. After short circuit recovery, the output will be reactivated in order to check if the short circuit was removed. If the overcurrent persists the chip will continue in this pulsing mode.

CSH: (For UC37132 and UC37133) This high side current sense pin is used to program the current limit for high side applications by connecting a resistor between VCC and CSH. An over load current is detected when the voltage drop between VCC and CSH exceeds 150mV. For the UC37132, in a high side application, the CSH pin must be tied to the LS pin; in a low side application, the CSH pin must be tied to VCC

CSL: (For UC37131 and UC37132) This low side current sense pin is used to program the current limit for low side applications by connecting a resistor between CSL and GND. An over load current is detected when the voltage drop between CSL and GND exceeds 150mV. For the UC37132, in a high side application, the CSL pin must be tied to GND; in a low side application, the CSL pin must be tied to the HS pin.

GND: The reference point for the internal reference, all thresholds, and the return for the remainder of the device.

HS: (For UC37132 and UC37133) The output of the switching transistor in the high side configuration. The emitter of the output transistor is the HS pin which is connected to the load. For the UC37132, the HS pin must be tied to the CSL pin in a low side application.

HYST: (For UC37132) The pin used to program the input comparator hysteresis by connecting a resistor to ground. The hysteresis defaults to 30% with HYST grounded (internally for UC37131 and UC37133).

$$V_{HYST} = \frac{3000}{(3330 + R_{HYST})}$$

IN: The input to the comparator that detects when the output transistor should be turned on. The input threshold is 3.0V (1/2 VREF) and the input voltage range is 0V to VREF.

LED: Open collector output intended to drive an LED. This pin is driven low whenever the output is turned off and is externally pulled high when the output is turned on (see Fig. 3b and 3c).

LS: (For UC37131 and UC37132) The output of the switching transistor in the low side configuration. The collector of the output transistor is the LS pin which is connected to the load. For the UC37132, the LS pin must be tied to the CSH pin in a high side application.

VREF: The 6V regulated reference capable of supplying up to 8mA. The recommended decoupling capacitor is 1nF.

VCC: The supply voltage for the chip. Decouple this pin with a good quality ceramic capacitor to ground.

DESCRIPTION OF OPERATION

Reference

The UC37131/2/3 family of devices features a 6V bandgap reference that is used to bias on-chip logic. Although the 6V reference is not trimmed, this bandgap reference provides less than 200ppm/°C. It is also used to generate the on-chip 3V input comparator threshold and is needed for the programmable hysteresis. The on-chip reference has 8mA maximum current sourcing capacity that is designed to power up external circuitry.

Input Comparator

The input comparator is a high gain comparator with hysteresis that fully switches with either a small signal (30mV, minimum for 1% hysteresis) or a logic signal (0 to 6V max). Only a 5mV overdrive of the 3V threshold is needed to switch the driver.

The hysteresis is set to 30% on the UC37131 and UC37133. (This is 30% of 3V equating to 0.9V of hysteresis.) On the UC37132 it is programmable from 1% to 30%.

Fault Logic

The output of the comparator is logic ANDed with the output of the fault logic. If a fault, either a power interrupt or an overcurrent condition, persists longer than it takes for the CDEL to discharge from its V_{CDEL_MAX} level of 5.8V to its V_{FAULT_L} of 1.3V, the fault protection block will output a logic 0 to the NAND gate and turn off the output driver. If the fault goes away prior to CDEL being discharged to 1.3V, the chip will resume normal operation without going through a turn-on delay.

The power interrupt normal operation consists of the chip turning the driver immediately back on if the interrupt goes away prior to CDEL reaching its lower threshold as described above. The CDEL capacitor is chosen based upon the maximum power interrupt time (t_{INT}) allowed without the output experiencing a turn-on delay. This interrupt time must be less than $t_{D(OFF)}$ where $t_{D(OFF)}$ is equal to the time it takes the CDEL capacitor to discharge from V_{CDEL_MAX} (5.8V) to V_{FAULT_L} (1.3V) with a discharge current of approximately 94 μ A. If the power stays off only as long as $t_{D(OFF)}$, the minimum power up delay will be equal to the time it takes to charge CDEL

from V_{FAULT_L} (1.3V) to V_{FAULT_H} (4.9V) with a charge current of approximately 4 μ A. If the power stays off longer than this time, then a power up delay will be initialized once power is resumed. This delay is the time it takes for CDEL to charge from 0V to V_{FAULT_H} of 4.9V.

The overcurrent fault normal operation consists of the chip staying off until CDEL fully recharges to V_{FAULT_H} of 4.9V. This is $t_{R(OFF)}$. Once CDEL reaches 4.9V, the driver will turn back on. If the overcurrent fault is still present, the chip will operate in a very low duty cycle (approximately 0.7%) based on the discharge (driver on) and charge time (driver off) of the CDEL capacitor. This overcurrent timing makes the chip act "smart" by allowing very high currents needed to drive large capacitive loads without setting off an overcurrent fault.

The overcurrent and current limit thresholds are programmed with the resistor R_{CSH} from CSH to VCC (high side) or R_{CSL} from CSL to GND (low side). For example, a 150mV ($I_{LOAD} \cdot R_{CSH}$) threshold will set the high side overcurrent fault threshold. An overall short circuit protection threshold is set at 300mV. Therefore, the recommended R_{CSH} of 0.5 Ω will result in the 600mA short circuit. By changing the R_{CSH} value the user can optimally set the overcurrent and short circuit current limits.

Output Driver

Once the turn-on signal is gated through from the input comparator, the output transistor is turned on. The output drive transistor is a composite PNP, NPN structure. This is a specially designed structure that keeps all the drive current needed for the load to be sourced through the LS pin. This keeps the overall power dissipation to less than 3mA independent of the load.

The output driver also has a 75V zener diode wired between its base and collector. This allows the output to swing and clamp to 75V above ground when discharging an inductive load in a low side application. This consequently allows the LS pin to safely swing above VCC. Similarly, the 75V zener diode will allow the HS pin to safely swing and clamp 75V below LS/VCC when discharging an inductive load in a high side application. This 75V zener diode simplifies the user application by eliminating the need for external clamp diodes.

APPLICATION INFORMATION

Choosing The CDEL Capacitor

The maximum amount of time that VCC power can be interrupted and not require the outputs to go through a turn-on delay cycle is user programmable by the CDEL capacitor value. While VCC is interrupted, the outputs will be in an indeterminate state and they may turn off during this interval, t_{INT} . However, as long as the programmed interruption time is not exceeded, the outputs will immediately turn back on with the return of VCC.

For example:

$$t_{INT} \approx 500\mu\text{s} \text{ (User specified)}$$

CDEL is selected such that the time it takes for this capacitor to discharge from V_{CDEL_MAX} (5.8V) to V_{FAULT_L} (1.3V) with a discharge current of $94\mu\text{A}$ is just greater than this t_{INT} . This time is referred to as $t_{D(OFF)}$ in Fig. 3b.

$$CDEL = \frac{I_{DISCHARGE} \cdot t_{D(OFF)}}{V_{CDEL_MAX} - V_{FAULT_L}}$$

If $t_{D(OFF)}$ is set equal to t_{INT} , which the user has selected to be $500\mu\text{s}$, the minimum CDEL capacitor is calculated:

$$CDEL = \frac{94\mu\text{A} \cdot 500\mu\text{s}}{5.8\text{V} - 1.3\text{V}}$$

For this application, the CDEL capacitor value calculates to 10.4nF . By using a 10nF capacitor on CDEL, VCC can be interrupted for up to $478\mu\text{s}$ and the outputs will experi-

ence an indeterminate state during this interruption, but resume normal operation when VCC power returns to normal.

If the VCC power is interrupted for a time equal to or longer than $t_{D(OFF)}$ then the following relationships apply. As the CDEL capacitor discharges past the V_{FAULT_L} threshold, the output is fully disabled and must cycle through a power up delay equal to $t_{D(ON)}$. The charge current for the CDEL capacitor is equal to $4\mu\text{A}$. The outputs will turn on when the CDEL capacitor charges up to the V_{FAULT_H} threshold of 4.9V . The minimum turn-on delay the outputs will experience will occur if t_{INT} is exactly equal to the $t_{D(OFF)}$ time and the CDEL capacitor has only discharged to V_{FAULT_L} . This would be the minimum turn-on delay time and is calculated with the following equation:

$$t_{D(ON)}_{\min} = \frac{CDEL \cdot |V_{FAULT_L} - V_{FAULT_H}|}{I_{CHARGE}}$$

Using the 10nF CDEL capacitor, for example, the minimum turn-on delay calculates to 9ms . If the CDEL capacitor discharges completely to zero, then the 10nF CDEL capacitor would cause a turn-on delay of 12.25ms . The outputs would be off for this amount of time after VCC power is restored. The total amount of time the outputs could be disabled is equal to the t_{INT} time, which may include the indeterminate time of $t_{D(OFF)}$, and the $t_{D(ON)}$ time, as shown in Fig. 3b.

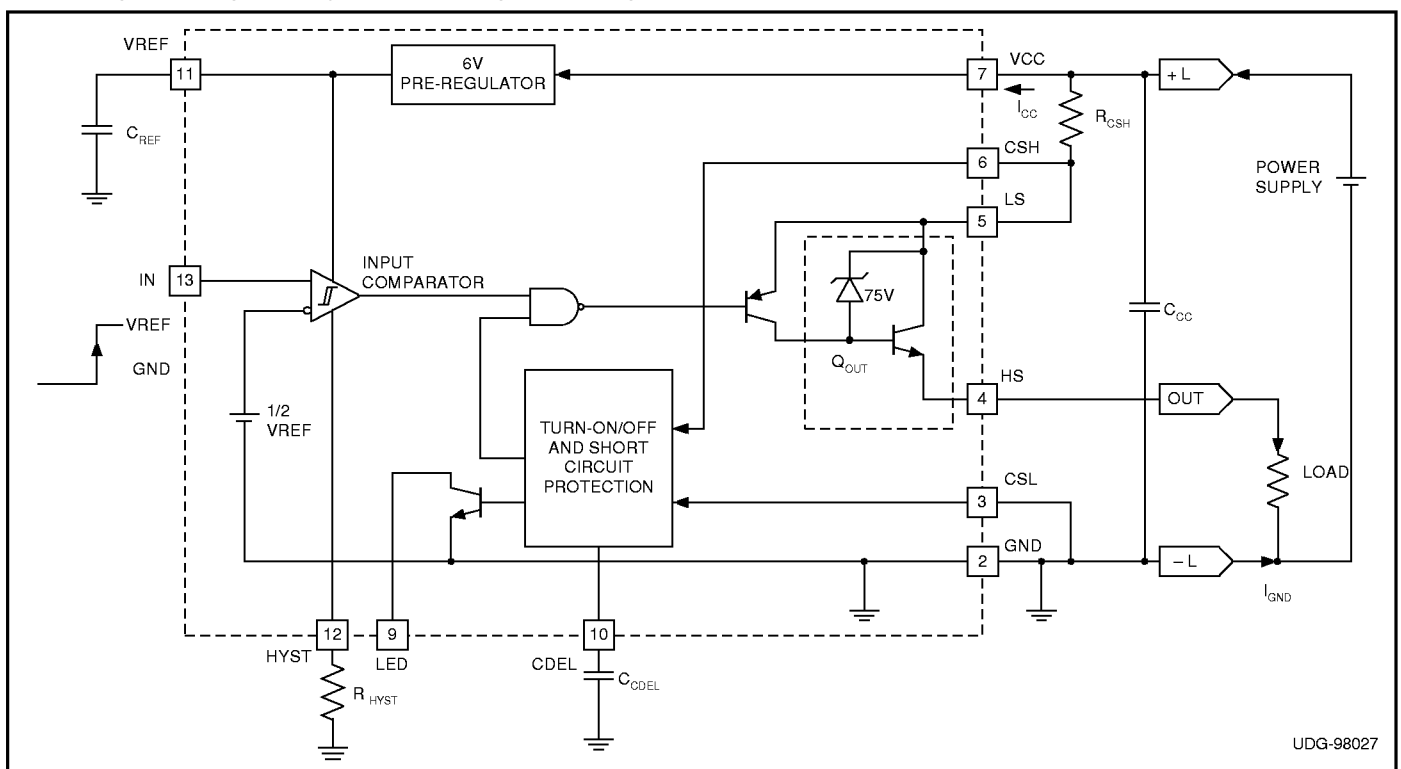


Figure 2a. High side application.

APPLICATION INFORMATION (cont.)

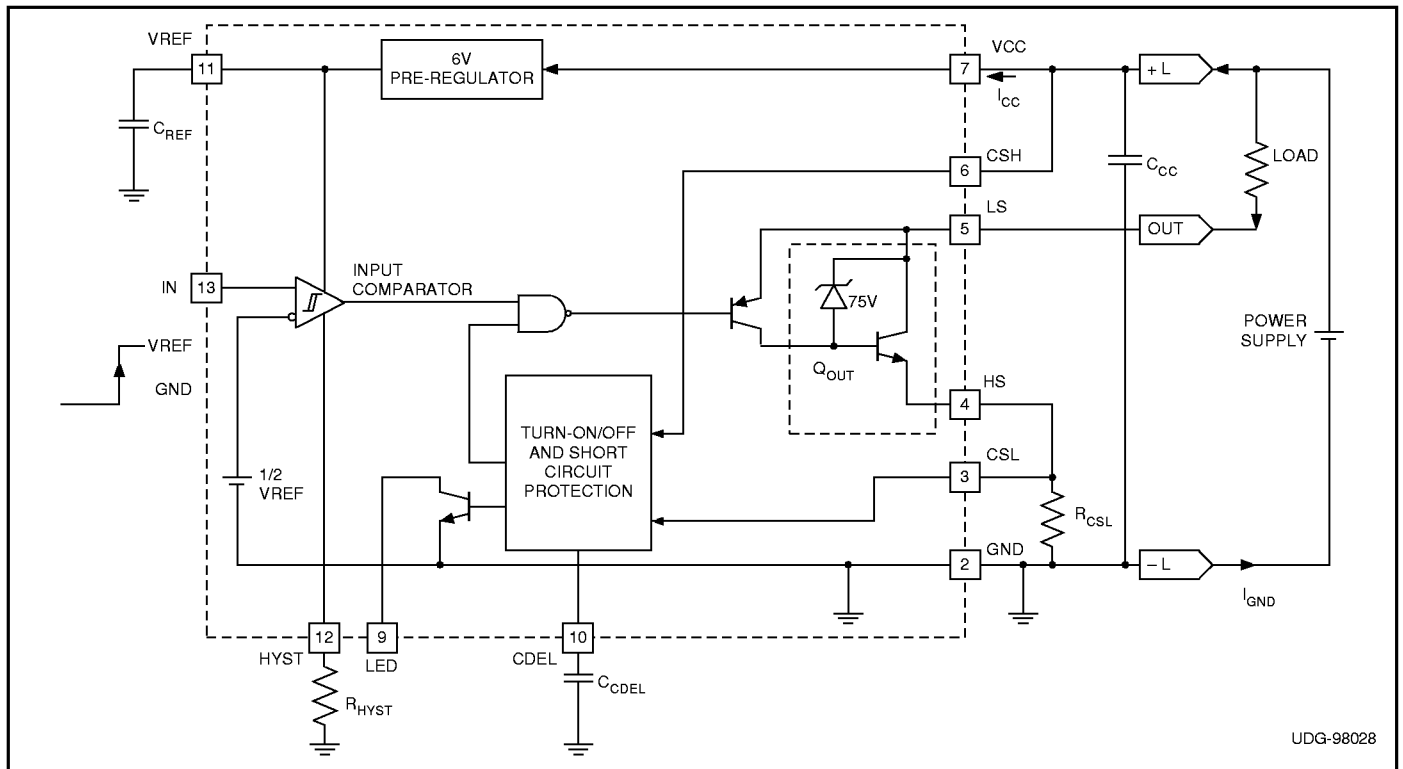


Figure 2b. Low side application.

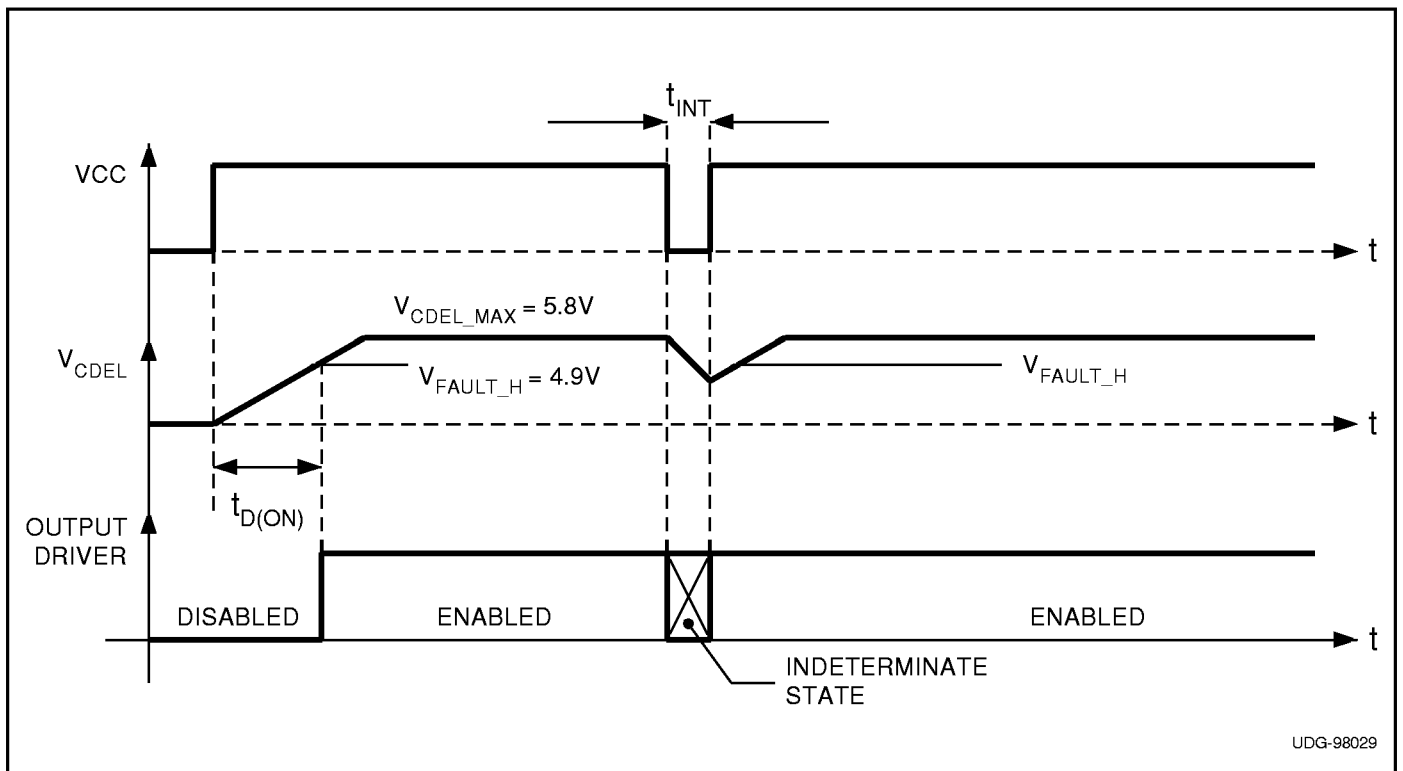


Figure 3a. Power interrupt ignore operation, high side configuration, $V_{IN} = 5VDC$.

APPLICATION INFORMATION (cont.)

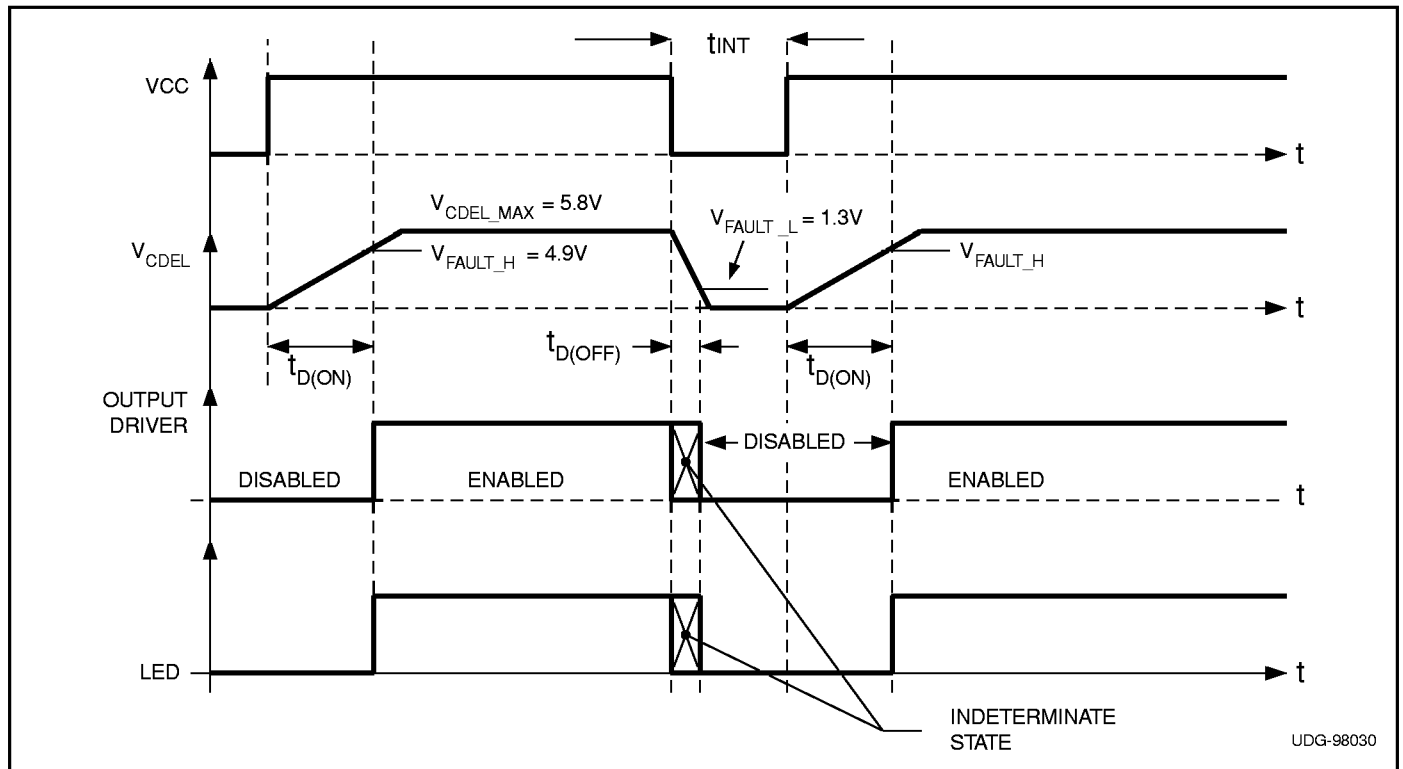


Figure 3b. Power interrupt fault operation, high side configuration, $V_{IN} = 5VDC$.

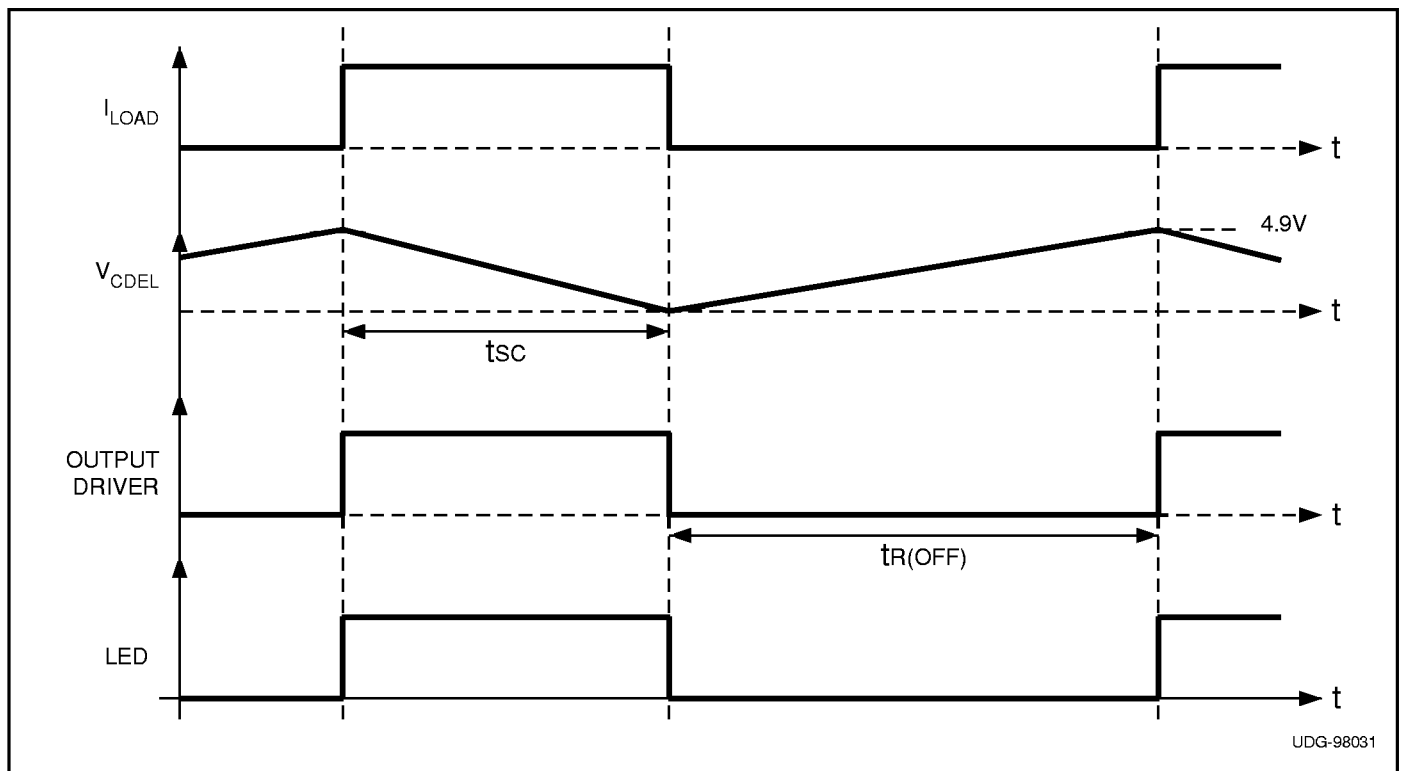


Figure 3c. Overcurrent fault operation.