

16

1634 01

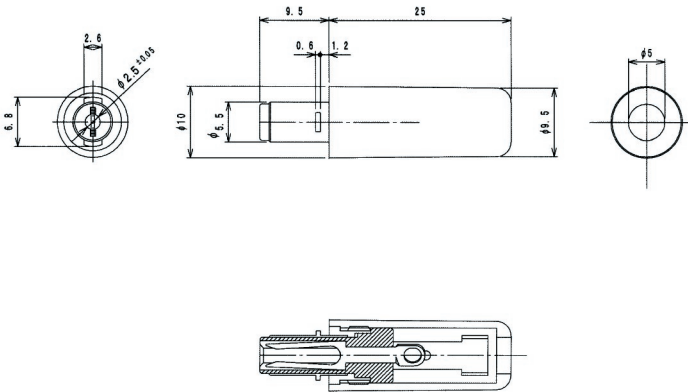
Power supply connectors



Power supply plug, straight version, with bayonet lock,
with solder eyes

16

1634 01



Environmental conditions

Temperature range -20 °C/+70 °C

Materials

Insulating body POM
Contact Cu alloy/steel, nickel-plated
Housing ABS

Mechanical data

Outer diameter 5,5 mm
Inner diameter 2,5 mm

Connectable conductors for solder area

Cable diameter 5 mm

Electrical data (at T_{amb} 20 °C)

Rated current 2 A
Rated voltage 24 V DC
Rated impulse voltage 500 V/60 s
Insulation resistance ≥ 100 MΩ

Associated products

Counterparts
↗ 1610 04 ↗ 1613 23

16

1634 01

Designation	Pole Number	PU (Pieces)	MDQ (Pieces)
1634 01	2	100	500

Packaging:

in bulk, in a cardboard box or a plastic bag