

DO NOT SCALE

THIS DRAWING AND DESIGN HEREON CONSTITUTE A PROPRIETARY DESIGN OF PACKARD ELECTRIC DIVISION AND IS NOT TO BE DUPLICATED OR REPRODUCED WITHOUT AUTHORITY OF PACKARD ELECTRIC DIVISION.

D

PART NO.

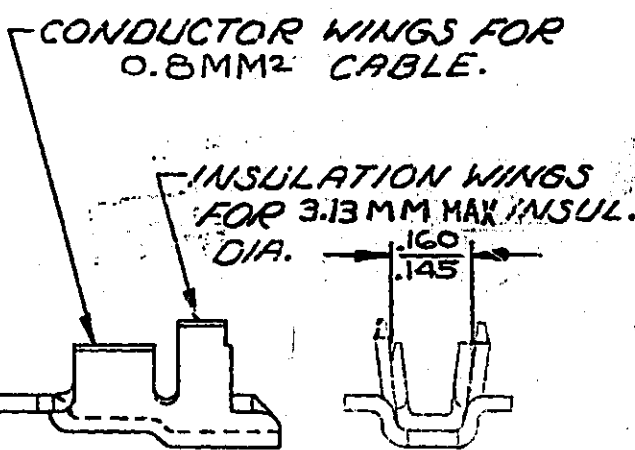
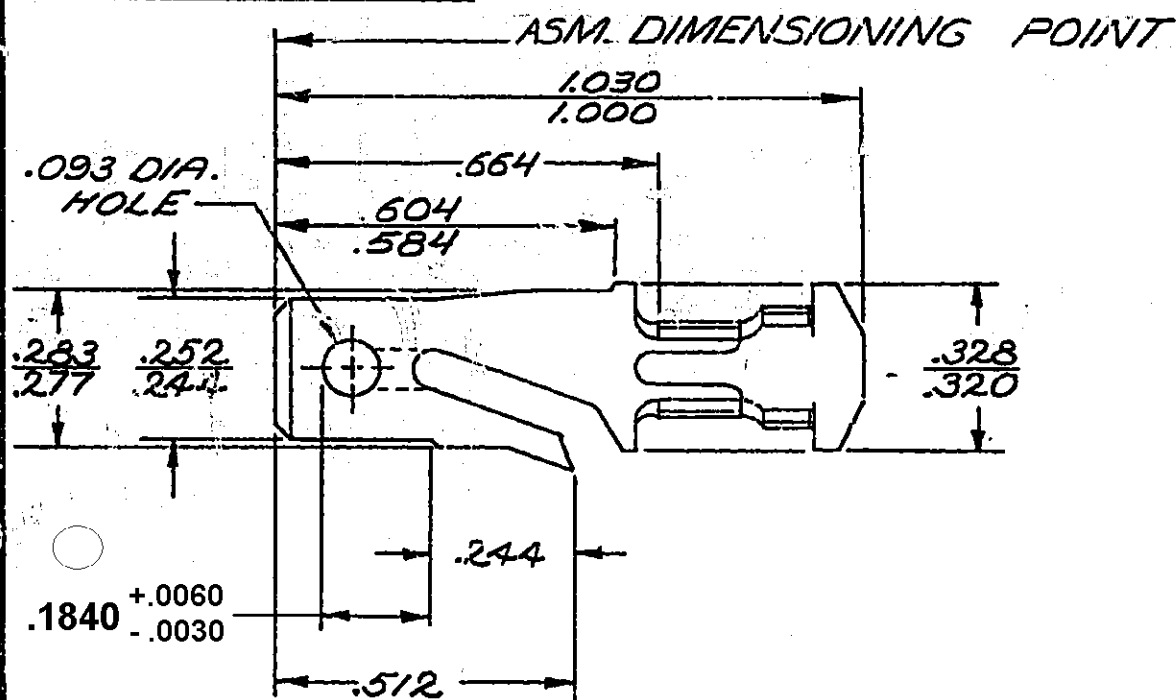
2965439

SIZE

A

DATE	SYM	REVISION RECORD	C/N NO.
12-23-59	Q	REVISED & REDRAWN	21342
6-15-60	Q	VIEW & .050 DIM. ADDED	1808
2-9-61	Q	123 WAS 155	3830
9-13-66	Q	DIM. & DIMENSIONING POINT REVISED	25293
		MAT'L SPEC WAS .032	
		BRASS-TIN PLATED	
8-6-69	Q	2962864 "D" SIZE SHT #1 WAS 2962864-D	36500
04SE79	-	CABLE REVISED TO METRIC	70845
01SE82	-	PICTURE REVISED	82155
01AUB3	AY	REV. SYM. ADVANCED	86126
05DE05	AY5	ADDED DIM .1840 +.0060/-.0030 AND REMOVED DIM (1 PLC)	274727

PACKARD ELECTRIC DIVISION  
 GENERAL MOTORS CORPORATION  
 WARREN, OHIO  
 844  
 1042  
 1043  
 AM-P  
 GL-V  
 CHEVA  
 OSH-V  
 FB-V  
 AMC-F



CODE NO. 6900  
 TOLERANCE UNLESS OTHERWISE SPECIFIED  
 DECIMAL ±.005  
 FRACTIONAL  
 ANGULAR ± 2°

DWG. DATE 2-28-57 SCALE NONE DR. PLYLER  
 ROUTING DEPT. OUTST. APPR. [Signature] 1-8-60  
 REFERENCE APPR. [Signature] 1-11-60  
 2962864 "D" SIZE - SHT. #1 APPR. [Signature]

MATERIAL SPEC CODE NO.  
 .0320 THK. SAE CA 260 - BRASS  
 1/2 HARD - TIN PLATED

NAME  
 TERMINAL-MALE-'56 SERIES

PART NO. 2965439 SIZE A

12-A  
 PEB-A  
 63-R  
 78-R  
 311-R  
 320-R  
 330-R  
 350-R  
 900-R  
 952-R  
 ACS-V  
 252-R  
 2460-R  
 3200-R  
 2252-R  
 2371-R  
 PEL-R  
 41-A

-OUTLINE DRAWING-