

TWIN-BOBBIN LINE TRANSFORMER



ACTT-4 SERIES

FEATURES:

- 2VA to 48 VA
- Hipot: 1,500VRMS
- Series or parallel secondary
- Class B (130°C) insulation
- Construction met UL & CSA requirement

OPTIONS:

- Bulk Pack is standard

APPLICATIONS:

- 115V/230V 50/60Hz input
- Dual output voltage
- AC-DC Adaptor
- Electrical applicants

STANDARD SPECIFICATIONS:

PRODUCT SERIES	DIMENSION (mm)					
	A	B	C	D	E	F
2VA	1.87(47,5)	1.56(39,6)	0.65(16,5)	0.25(6,35)	0.02x0.032(0,5x0,8)	0.375(9,5)
6VA	1.87(47,5)	1.56(39,6)	0.85(21,6)	0.25(6,35)	0.02x0.032(0,5x0,8)	0.375(9,5)
12VA	2.50(63,5)	2.00(50,8)	1.06(27,0)	0.25(6,35)	0.02x0.032(0,5x0,8)	0.50(12,7)
48VA	3.15(80,0)	2.50(63,5)	1.36(34,4)	0.25(6,35)	0.04x0.04(1,0x1,0)	0.60(15,24)
TOLERANCE	±0.04(1,0)	±0.04(1,0)	±0.04(1,0)	±0.04(1,0)	±0.004(0,10)	±0.008(0,20)

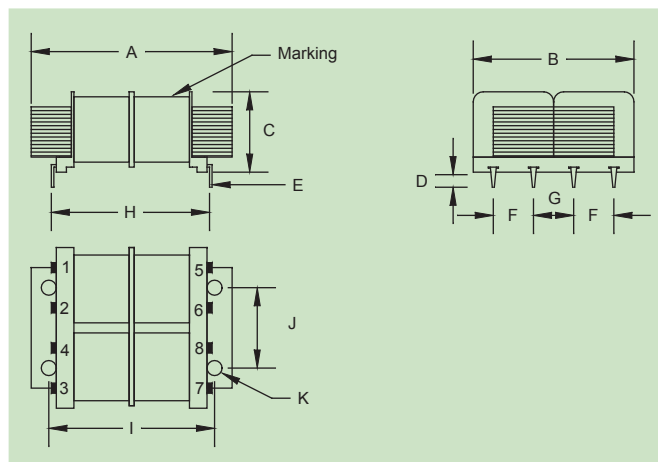
	G	H	I	J	K	Oz
2VA	0.375(9,5)	1.60(40,6)	1.62(41,24)	0.87(22,2)	Ø0.11(2,8)	5
6VA	0.375(9,5)	1.60(40,6)	1.62(41,24)	0.87(22,2)	Ø0.11(2,8)	7
12VA	0.50(12,7)	2.00(50,8)	2.00(50,8)	1.01(25,7)	Ø0.138(3,5)	11
48VA	0.66(16,8)	2.18(55,4)	2.52(64,0)	1.26(32,0)	Ø0.178(4,5)	21
TOLERANCE	±0.012(0,30)	±0.02(0,5)	±0.02(0,5)	±0.02(0,5)	Max	

TECHNICAL INFORMATION:

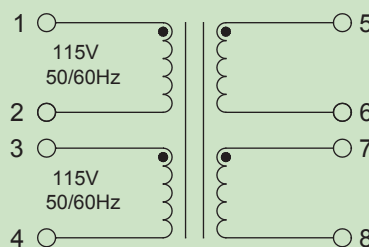
- Order by part no. ACTT-4(suffix letter)-XXX (series voltage)
- Dimension "E" is pin size and dimension "K" is the maximum allowable screw size
- "CT" indicates 6-7 shorted
- Operating Temperature: -40°C to +85°C
- Storage Temperature: -55°C to 125°C

Note: All specification subject to change without noticed.

PHYSICAL CHARACTERISTICS:



SCHEMATIC



TWIN-BOBBIN LINE TRANSFORMER



ACTT-4 SERIES

	Part No Primary Dual 115V	SECONDARY RMS RATING			
		Voltage (V)	Current (A)	Voltage (V)	Current (A)
2VA	ACTT-4A-10	10	0.250	5	0.500
	ACTT-4A-12R6	12.6	0.200	6.3	0.400
	ACTT-4A-16	16	0.150	8	0.300
	ACTT-4A-20	20	0.120	10	0.250
	ACTT-4A-24	24	0.100	12	0.200
	ACTT-4A-30	30	0.085	15	0.170
	ACTT-4A-34	34	0.075	17	0.150
	ACTT-4A-40	40	0.060	20	0.120
	ACTT-4A-56	56	0.045	28	0.090
	ACTT-4A-88	88	0.028	44	0.056
	ACTT-4A-120	120	0.020	60	0.040
	ACTT-4A-230	230	0.010	115	0.020
6VA	ACTT-4B-10	10	0.600	5	1.200
	ACTT-4B-12R6	12.6	0.450	6.3	0.900
	ACTT-4B-16	16	0.350	8	0.700
	ACTT-4B-20	20	0.300	10	0.600
	ACTT-4B-24	24	0.250	12	0.500
	ACTT-4B-30	30	0.200	15	0.400
	ACTT-4B-34	34	0.170	17	0.340
	ACTT-4B-40	40	0.150	20	0.300
	ACTT-4B-56	56	0.100	28	0.200
	ACTT-4B-88	88	0.065	44	0.130
	ACTT-4B-120	120	0.050	60	0.100
	ACTT-4B-230	230	0.025	115	0.050
12VA	ACTT-4C-10	10	1.200	5	2.400
	ACTT-4C-12R6	12.6	0.900	6.3	1.800
	ACTT-4C-16	16	0.700	8	1.400
	ACTT-4C-20	20	0.600	10	1.200
	ACTT-4C-24	24	0.500	12	1.000
	ACTT-4C-30	30	0.400	15	0.800
	ACTT-4C-34	34	0.340	17	0.680
	ACTT-4C-40	40	0.300	20	0.600
	ACTT-4C-56	56	0.200	28	0.400
	ACTT-4C-88	88	0.130	44	0.260
	ACTT-4C-120	120	0.100	60	0.200
	ACTT-4C-230	230	0.050	115	0.100
48VA	ACTT-4D-10	10	4.800	5	9.600
	ACTT-4D-12R6	12.6	3.800	6.3	7.600
	ACTT-4D-16	16	3.000	8	6.000
	ACTT-4D-20	20	2.400	10	4.800
	ACTT-4D-24	24	2.000	12	4.000
	ACTT-4D-30	30	1.600	15	3.200
	ACTT-4D-34	34	1.400	17	2.800
	ACTT-4D-40	40	1.200	20	2.400
ACTT-4D-56	56	0.850	28	1.700	