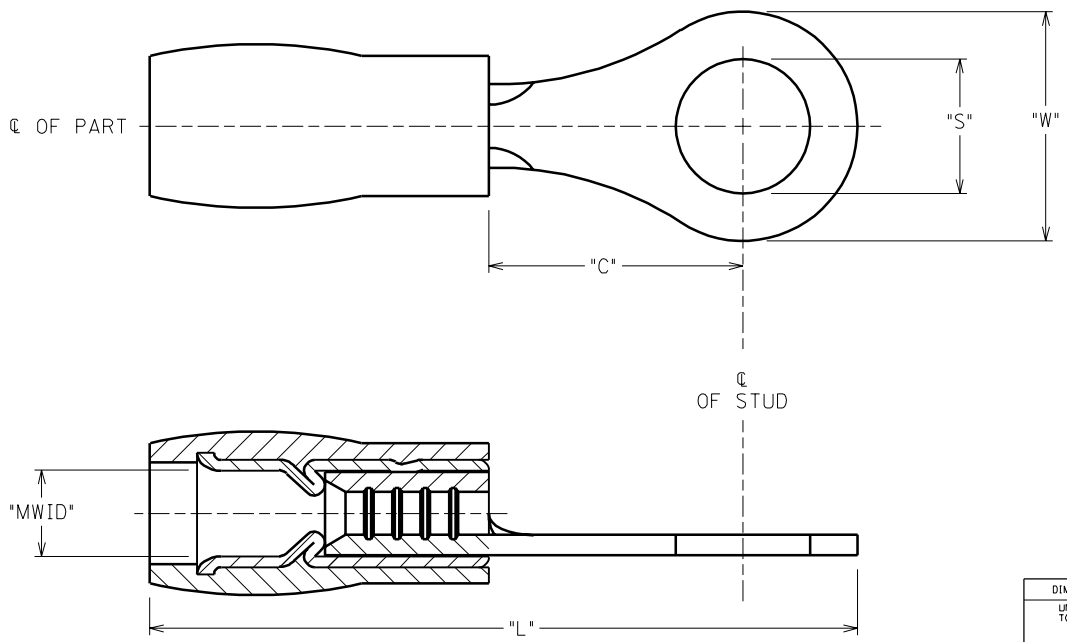


10	9	8	7	6	5	4	3	2	1
PART NUMBER	AVAILABLE STUD SIZES	"MWID"	±.03 "L"	±.010 "C"	±.010 "W"	INSULATION COLOR	AWG WIRE SIZE		
M-8113	02, 04, 06, 08	.074	.630	.225	.203	YELLOW	26-24 AWG		
M-8114	02	.074	.600	.225	.140	YELLOW	26-24 AWG		
M-8118	06, 08, 10	.074	.730	.300	.250	YELLOW	26-24 AWG		
M-8122	00, 02	.074	.505	.130	.140	YELLOW	26-24 AWG		

STUD SIZE	±.003 "S"
00	.067
2	.094
4	.119
6	.146
8	.173
10	.198

- NOTES:  
 1. TERMINAL MATERIAL: BRASS  
 FINISH: ELECTRO-TIN  
 2. FERRULE MATERIAL: BRASS  
 FINISH: ELECTRO-TIN  
 3. INSULATION MATERIAL: NYLON  
 4. "MWID" = MAXIMUM WIRE INSULATION DIAMETER.



CUSTOMER DRAWING

A	RELEASE TO CUSTOMER ETC60504 07-19 JH
LTR.	REVISIONS

DIMENSIONS SHOWN (METRIC) INCH			
UNLESS OTHERWISE SPECIFIED TOLERANCES: ANGULAR = 1/2°			
	INCH	METRIC	
3 PLACE	± .005	± ---	
2 PLACE	± .01	± 0.13	
1 PLACE	± ---	± 0.25	

DRAFT WHERE APPLICABLE MUST REMAIN WITHIN DIMENSIONS

DRWG. BY	JH	CHK'D. BY	RWD
APP'D. BY	RWD	SCALE	NO:NE

REVISE ONLY ON CAD SYSTEM			
TITLE AVIKRIMP RING TONGUE TERMINAL "M" BARREL 26-24 AWG			
PART NO. <b>SEE CHART</b>		DATE 96/07/18	
FILE NAME CD8101.CST		DRWG. NO. CD-8101	
THIS DRAWING CONTAINS INFORMATION THAT IS PROPRIETARY TO MOLEX-ETC INC. AND SHOULD NOT BE USED WITHOUT WRITTEN PERMISSION.			
DIV.	SIZE	B	