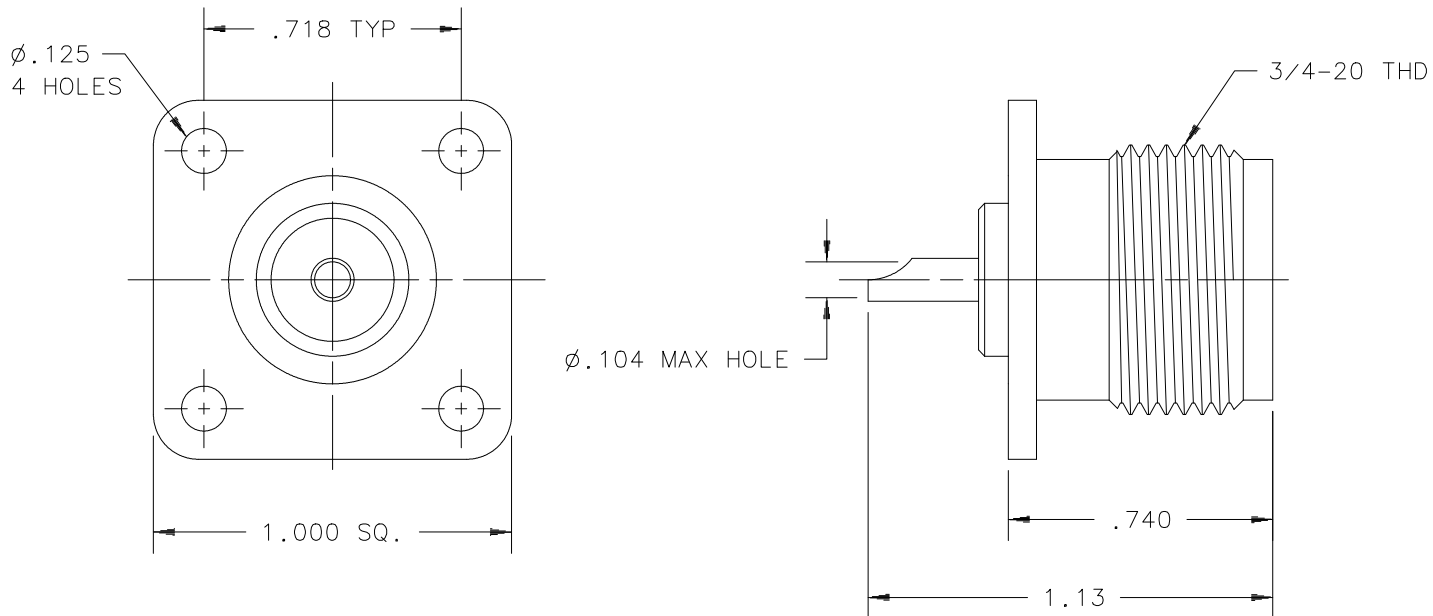


This document, including the design, configuration and mechanical features revealed herein are the sole, confidential and proprietary property of Tru-Connector Corporation. Reproduction or use thereof, in whole or part, is prohibited without the prior written consent of Tru-Connector Corporation.

REV	DESCRIPTION	DATE	APPROVAL
/	ORIGINAL ISSUE	1/14/00	RMK
A	ECO 1615-NKTM-UPDATE FORMAT	5/04/01	AM



Material:

INSULATOR - TEFLON
 FEMALE CONTACT - BERYLLIUM COPPER
 OTHER METAL PARTS - BRASS

Finish:

FEMALE CONTACT - GOLD PLATED
 OTHER METAL PARTS - NICKEL PLATED

UNLESS OTHERWISE SPECIFIED:
 DIMENSIONS ARE IN INCHES
 CHAMFER FIRST THREAD 45°
 DIMENSIONS BEFORE PLATING

TOLERANCES:
 FRACTIONS: ±1/64
 .XX: ±.01
 .XXX: ±.005
 ANGLES: ±1/2°
 MACHINED SURFACES 63 ✓

THIRD ANGLE PROJECTION

DRAWN BY	WWW	DATE	1/14/00
ENG APPROVAL		DATE	
MFG APPROVAL		DATE	
OTHER APPROVAL	RMK	DATE	1/14/00
REFERENCE			



TRU-CONNECTOR CORPORATION
 245 LYNNFIELD STREET
 PEABODY, MASSACHUSETTS

TITLE
 CONNECTOR, COAXIAL, RF
 SERIES: HN(f)
 RECEPTACLE, PANEL

SIZE	CAGE CODE	DWG NO.	REV
A	92180	TRU-8552-GNT	A

CAD FILE: SERIES HN/RECEPT. PANEL SCALE 2X SHEET 1 of 1