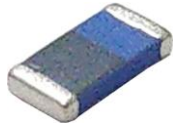


BTCA Series



Chilisin offer multilayer devices of Low-Temperature Cofired Ceramics for applications in wireless communication as WLAN, Bluetooth etc. Our commitment is to meet your goals through extensive technological innovation, excellent quality, short lead time and high volume production capability.

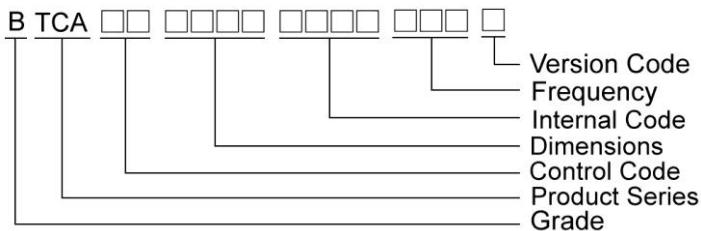
Features

- Monolithic SMD with small
- Low-profile and light-weight type

Applications

- Bluetooth
- 2.4GHz Wireless LAN
- Home RF
- Consumer electronic

Product Identification



Shape and Dimensions

FIG1

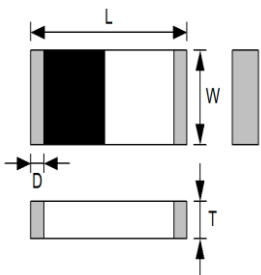


FIG2

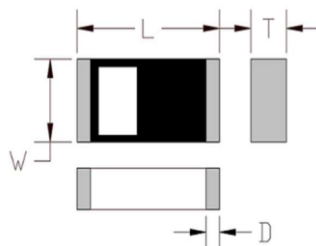


FIG3

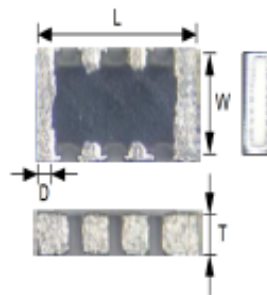
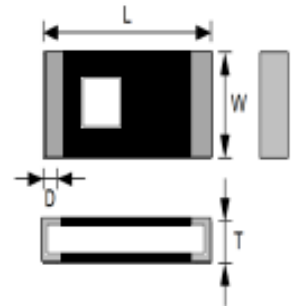


FIG4



Dimensions in mm

TYPE	FIG	L	W	D	T
BTCA00160807002G4B	1	1.6±0.2	0.8±0.2	0.5±0.2	0.5±0.2
BTCA00160800002G4C	2	1.6±0.1	0.8±0.1	0.35±0.15	0.45±0.1
BTCA00201000002G4D	3	2.0±0.2	1.0±0.2	0.5±0.2	0.5±0.2
BTCA00201203002G4A	1	2.0±0.2	1.2±0.2	0.5±0.2	0.5±0.2
BTCA00201204002G4B	1	2.0±0.2	1.2±0.2	0.5±0.2	0.5±0.2
BTCA00321608002G4C	4	3.2±0.2	1.6±0.2	0.5±0.2	0.5±0.2
BTCA00502506002G4C	4	5.0±0.2	2.5±0.2	0.6±0.2	0.6±0.1

Shape and Dimensions

FIG5

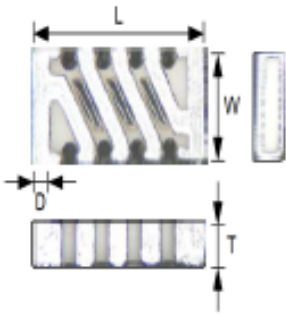


FIG6

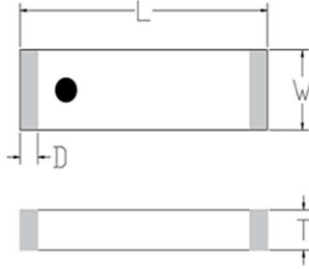
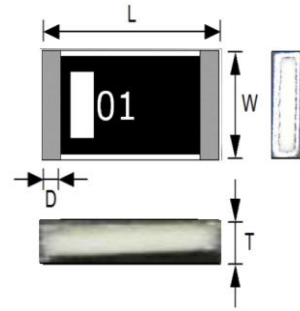


FIG7

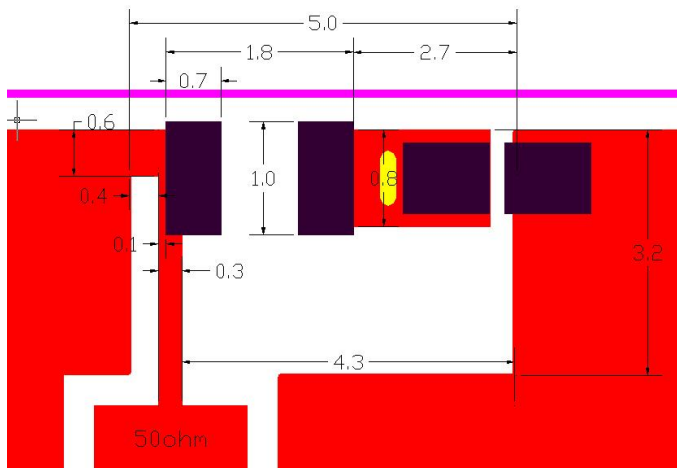


Dimensions in mm

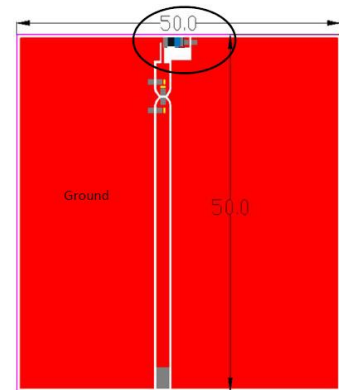
TYPE	FIG	L	W	D	T
BTCA00321609002G4D	5	3.2±0.2	1.6±0.2	0.5±0.2	0.5±0.2
BTCA007020x1000GxA	6	7.0±0.2	2.0±0.2	0.5±0.2	1.1±0.2
BTCA00321609002G4W	7	3.0±0.2	1.5±0.2	0.2±0.2	0.5±0.2
BTCA00321609005G0W	7	3.2±0.2	1.6±0.2	0.5±0.2	0.5±0.2

Recommended Pattern

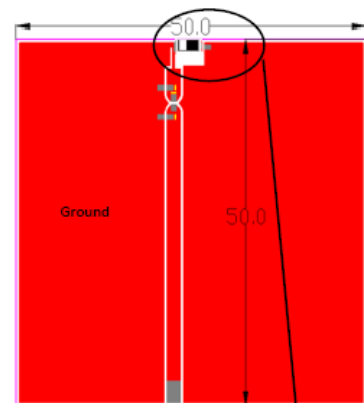
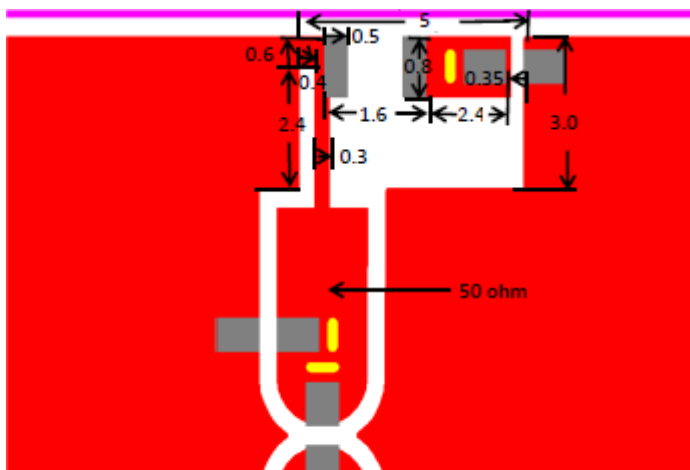
BTCA00160807002G4B



PC Board Pattern



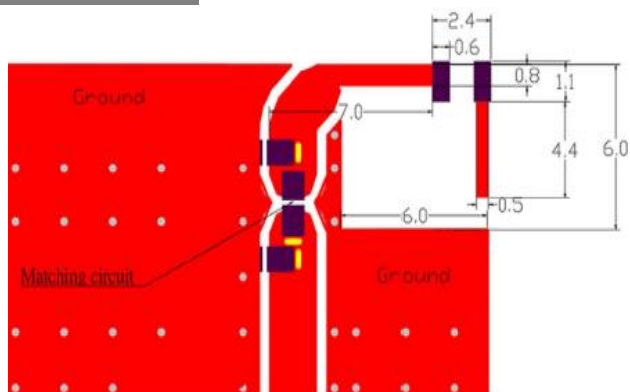
BTCA00160800002G4C



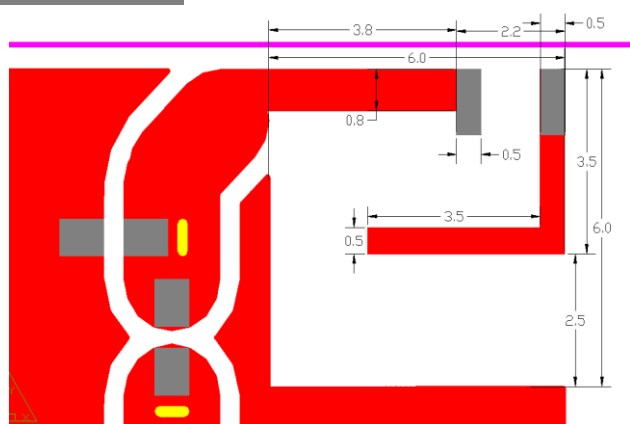
SMD Chip Series Antenna – BTCA Series

Recommended Pattern

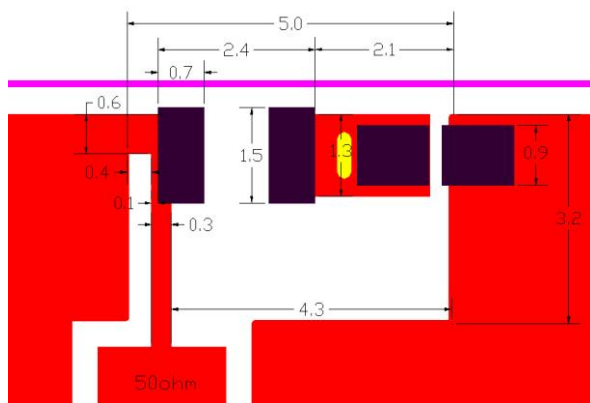
BTCA00201000002G4D



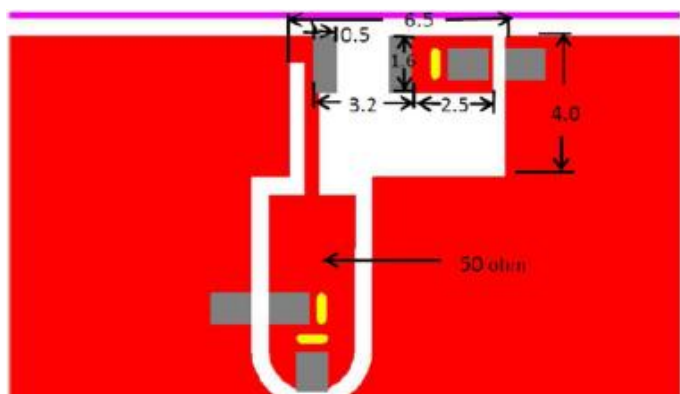
BTCA0020103002G4A



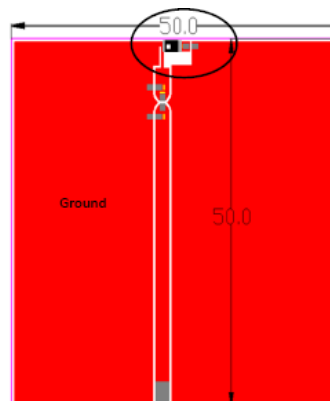
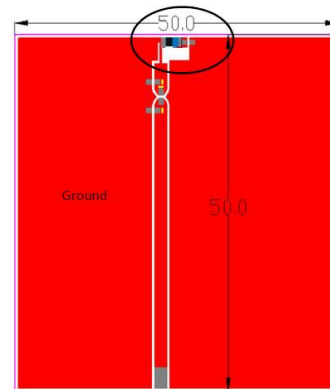
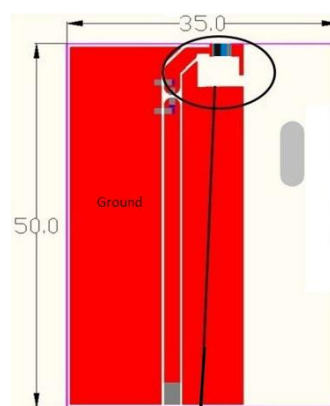
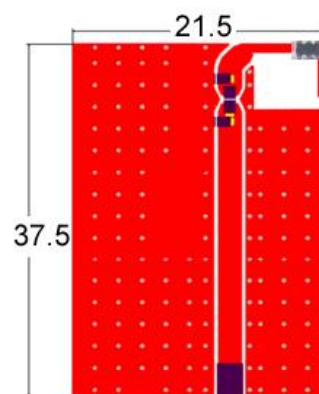
BTCA00201204002G4B



BTCA00321608002G4C



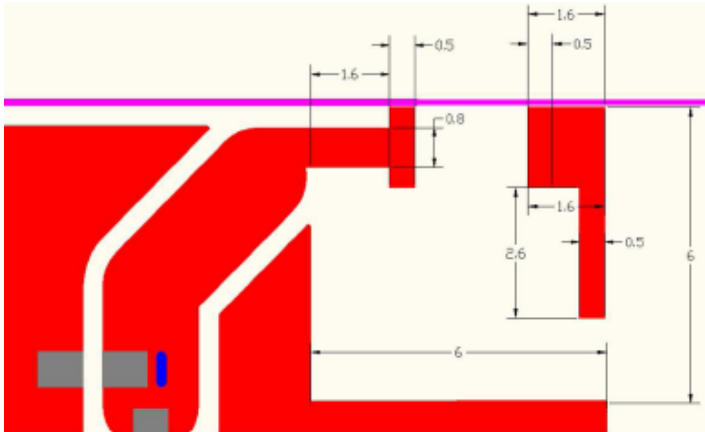
PC Board Pattern



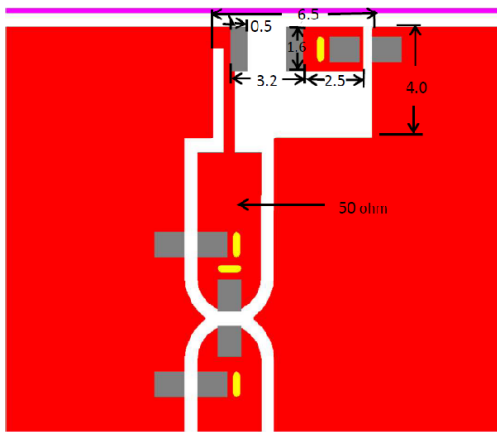
SMD Chip Series Antenna – BTCA Series

Recommended Pattern

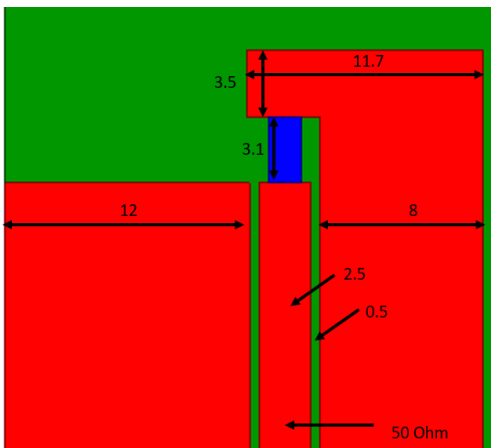
BTCA00321609002G4D



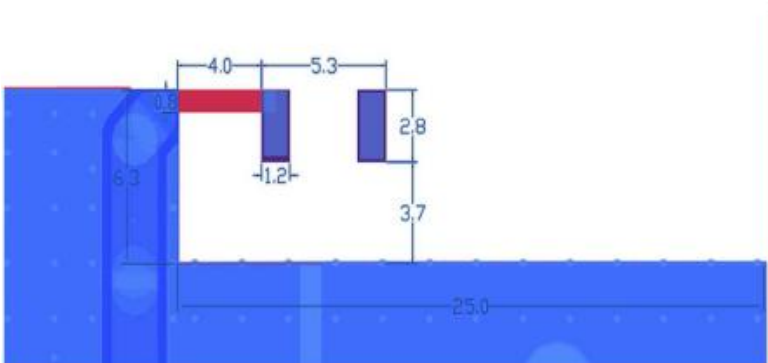
BTCA00321609002G4W



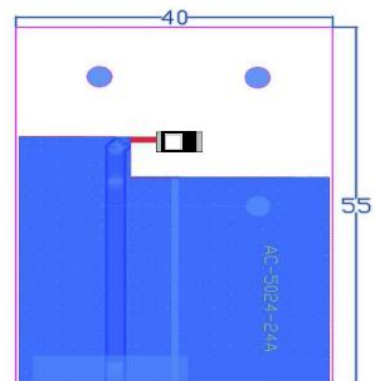
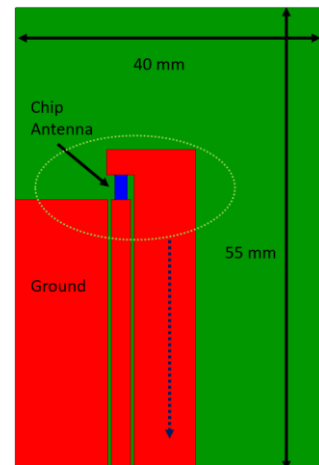
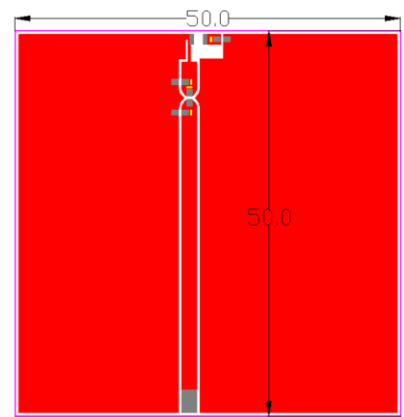
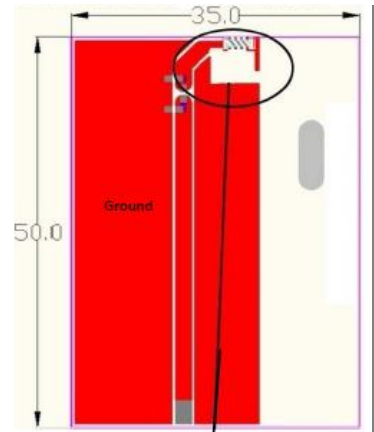
BTCA00321609005G0W



BTCA00502506002G4C



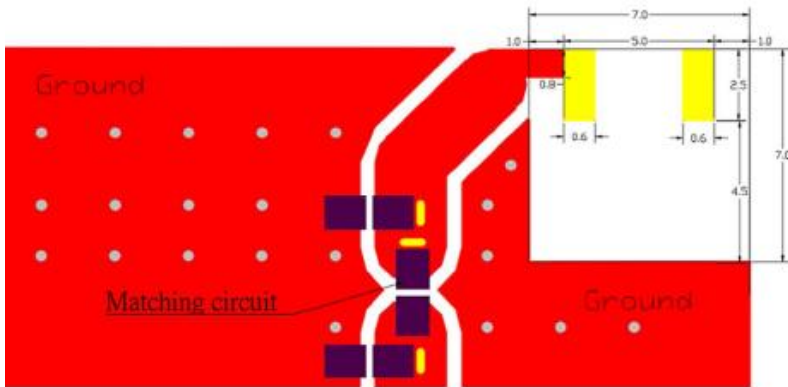
PC Board Pattern



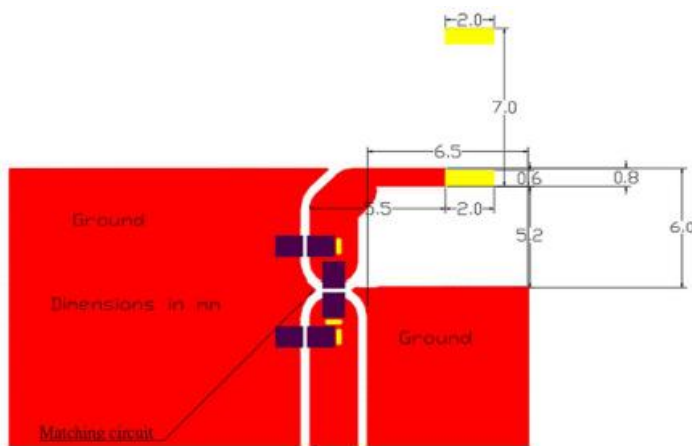
SMD Chip Series Antenna – BTCA Series

Recommended Pattern

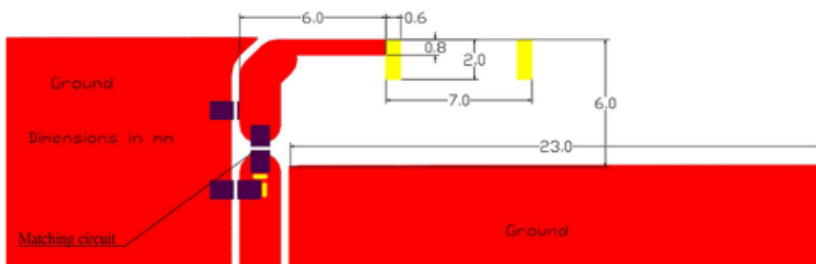
BTCA00502506005G0C



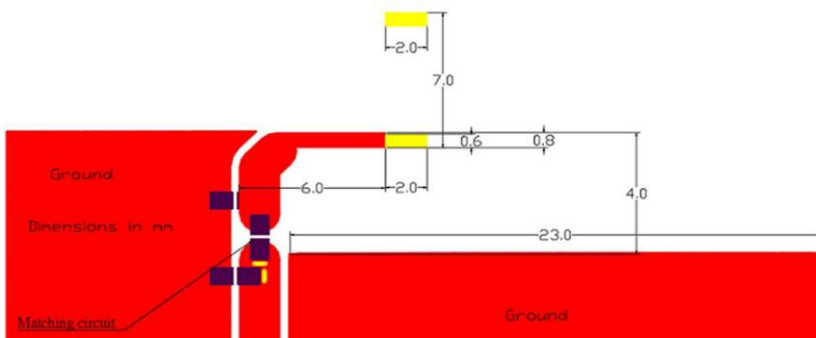
BTCA00702001000G4A/ BTCA00702011000G8A



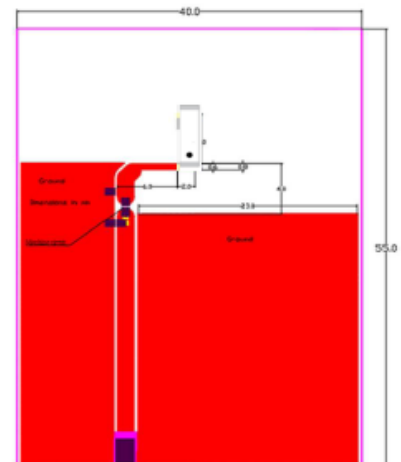
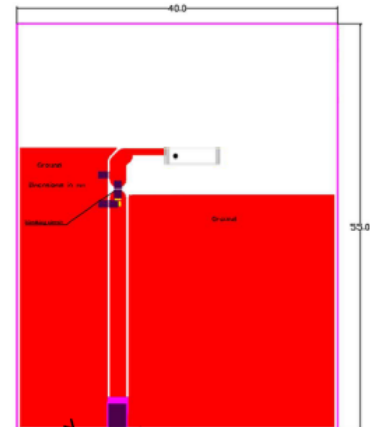
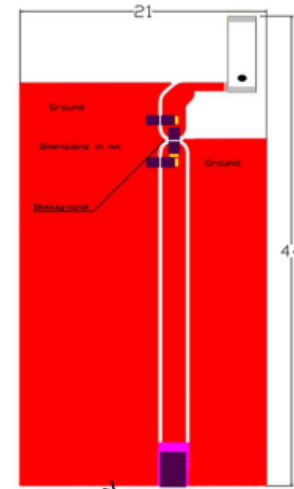
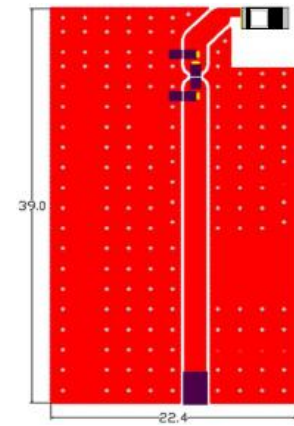
BTCA00702011000G4A



BTCA00702011000G9A



PC Board Pattern



SMD Chip Series Antenna – BTCA Series

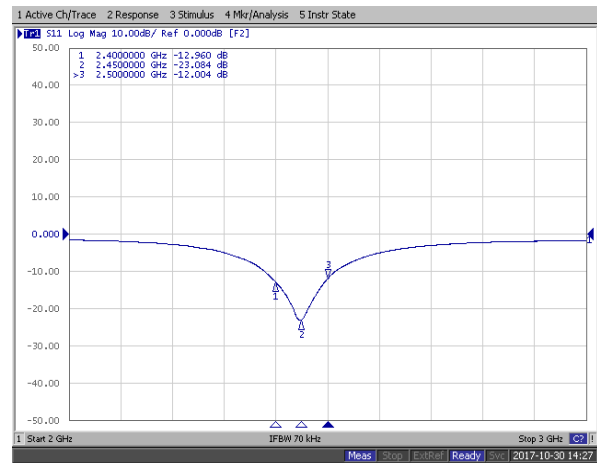
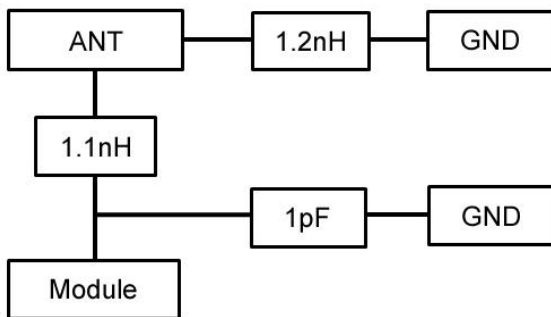
Electrical Characteristics

Part Number	Impedance (Ω)	Test Frequency (GHz)	Bandwidth* (MHz)	Peak Gain* (dBi)	VSWR (Max)	Polarization
BTCA00160807002G4B	50	2.4	100	2~3	2	Linear
BTCA00160800002G4C	50	2.4	90	1~3	2	Linear
BTCA00201000002G4D	50	2.4	100	0~-3	2	Linear
BTCA00201203002G4A	50	2.4	100	0~2	2	Linear
BTCA00201204002G4B	50	2.4	100	0~2	2	Linear
BTCA00321608002G4C	50	2.4	100	2~3	2	Linear
BTCA00321609002G4D	50	2.4	100	2~3	2	Linear
BTCA00321609002G4W	50	2.4	100	0~1	2	Linear
BTCA00321609005G0W	50	5	100	-0.3~1.3	2	Linear
BTCA00502506002G4C	50	2.4	100	2~3	2	Linear
BTCA00502506005G0C	50	5~6	700	1~3	2	Linear
BTCA00702001000G4A	50	0.47	20	-16.75	2	Linear
BTCA00702011000G4A	50	0.433	10	-20.9	2	Linear
BTCA00702011000G8A	50	0.866	20	-9.17	2	Linear
BTCA00702011000G9A	50	0.915	20	-9.75	2	Linear

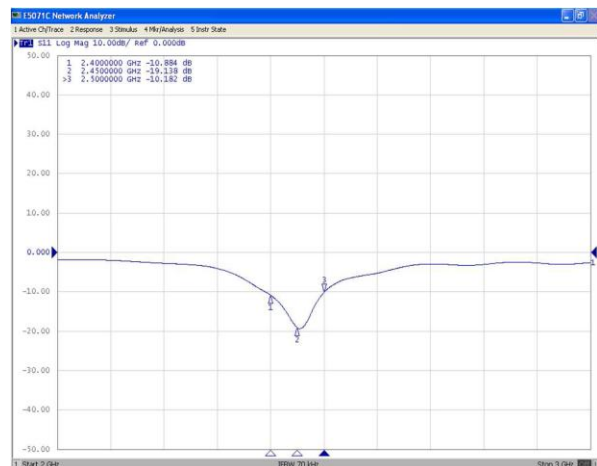
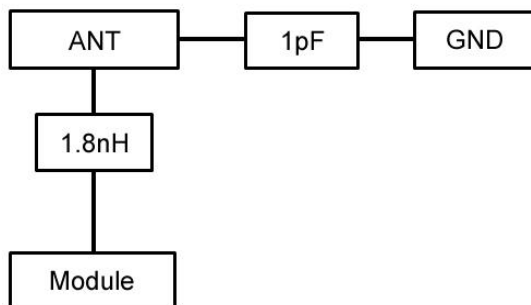
Note: *Depend on PCB layout.

Test Instruments : Agilent E4991A Material/Impedance Analyzer

BTCA00160807002G4B



BTCA00160800002G4C

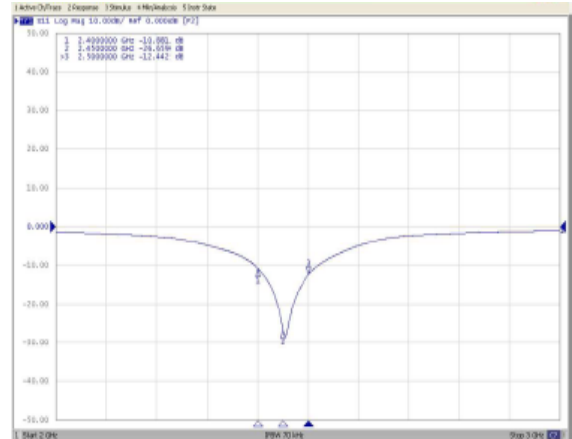
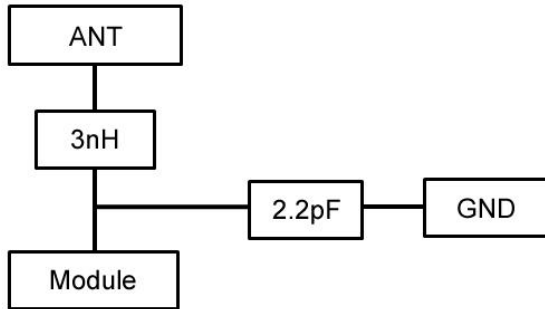


Please be sure to request approval specifications that provide further details of the products. Kindly note that the content of these specifications are subject to change or may be discontinued without prior notice. This product may not be designed/used in medical or high risk applications without Chilisin approval. Please contact our sales department before ordering.

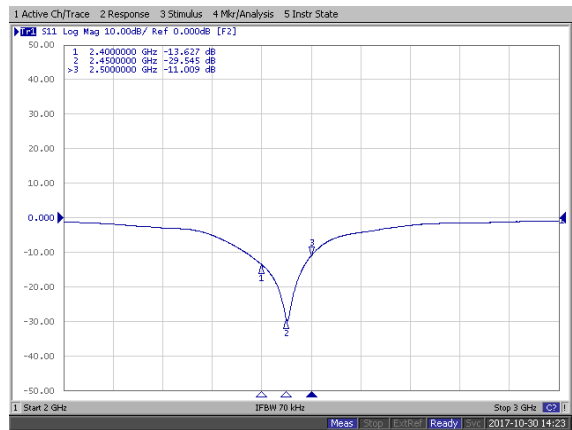
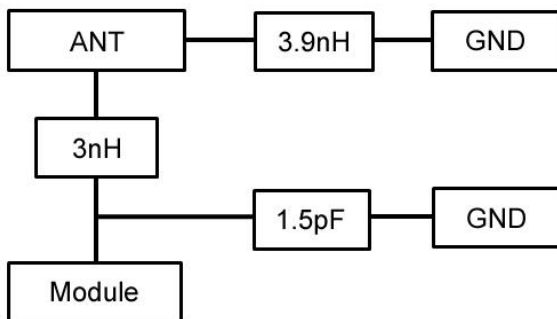
SMD Chip Series Antenna – BTCA Series

Test Instruments : Agilent E4991A Material/Impedance Analyzer

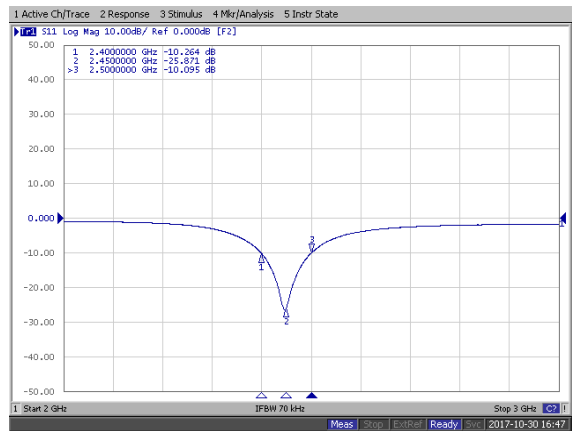
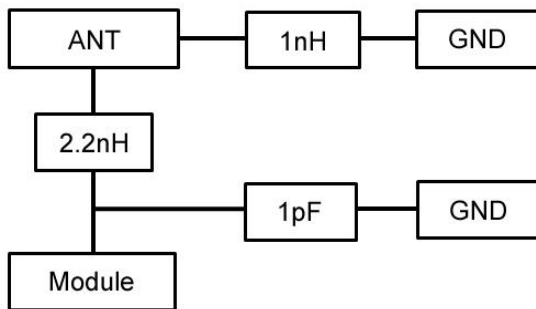
BTCA0020100002G4D



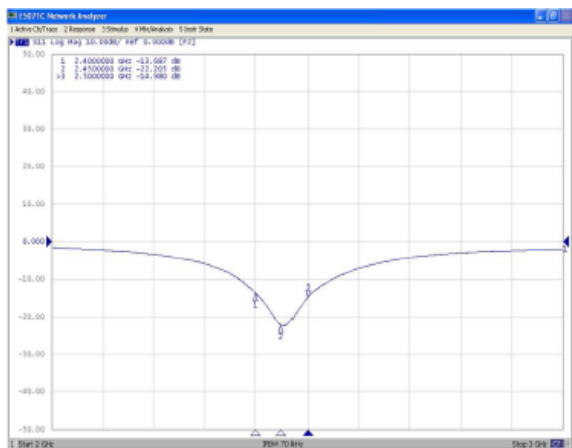
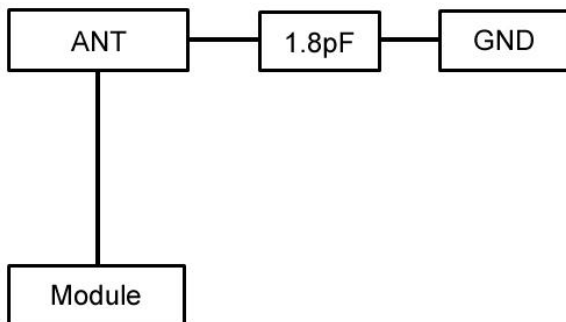
BTCA00201203002G4A



BTCA00201204002G4B



BTCA00321608002G4C

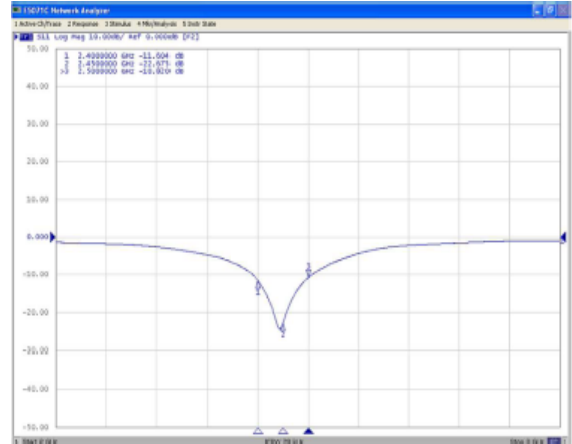
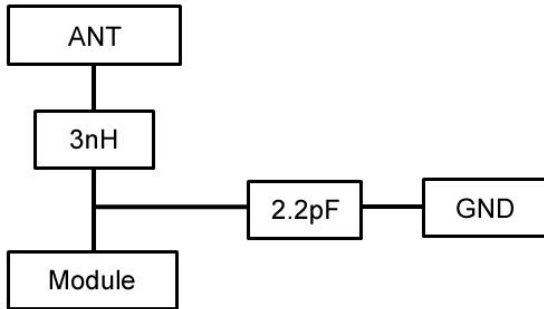


Please be sure to request approval specifications that provide further details of the products. Kindly note that the content of these specifications are subject to change or may be discontinued without prior notice. This product may not be designed/used in medical or high risk applications without Chilisin approval. Please contact our sales department before ordering.

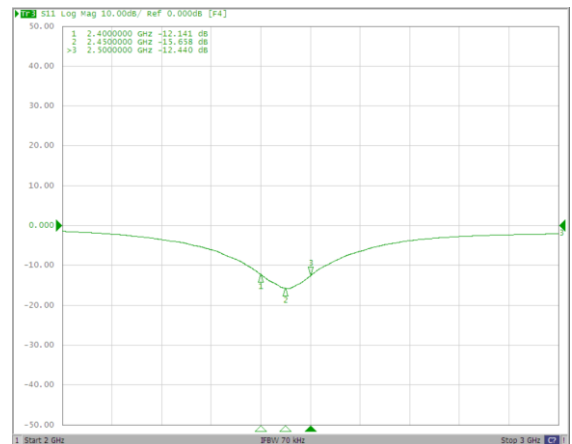
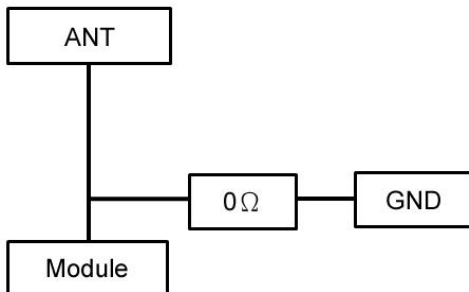
SMD Chip Series Antenna – BTCA Series

Test Instruments : Agilent E4991A Material/Impedance Analyzer

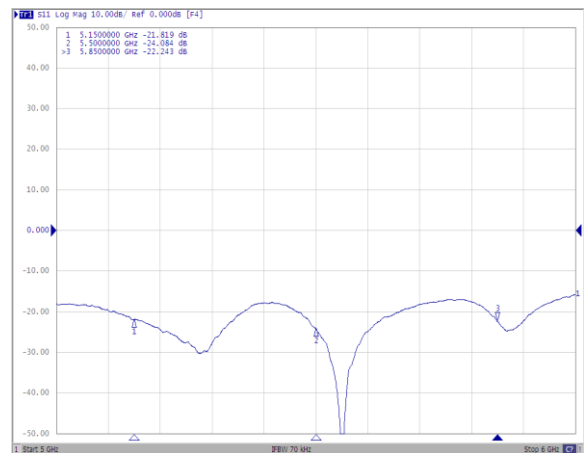
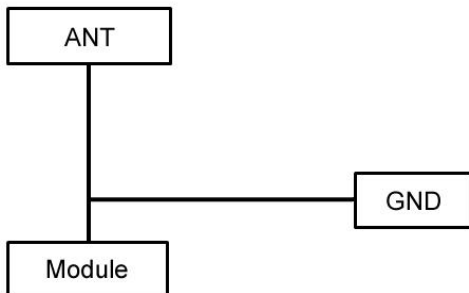
BTCA00321609002G4D



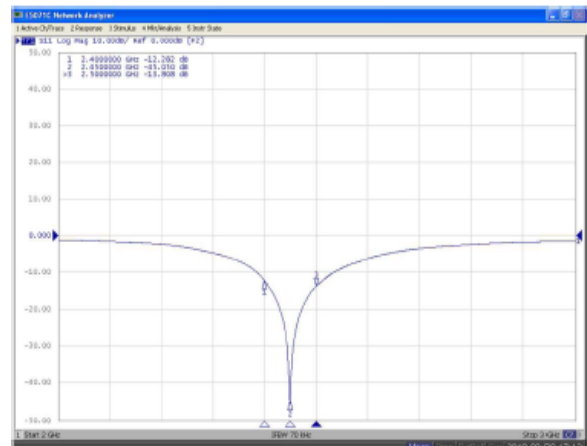
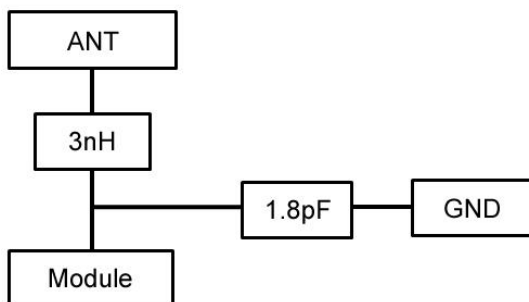
BTCA00321609002G4W



BTCA00321609005G0W



BTCA00502506002G4C

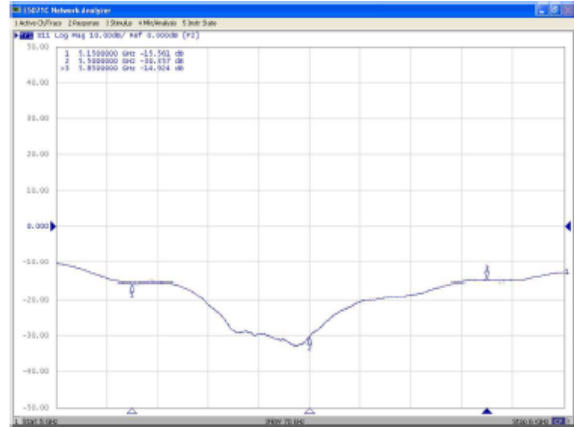
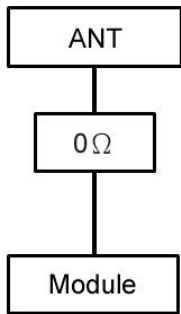


Please be sure to request approval specifications that provide further details of the products. Kindly note that the content of these specifications are subject to change or may be discontinued without prior notice. This product may not be designed/used in medical or high risk applications without Chilisin approval. Please contact our sales department before ordering.

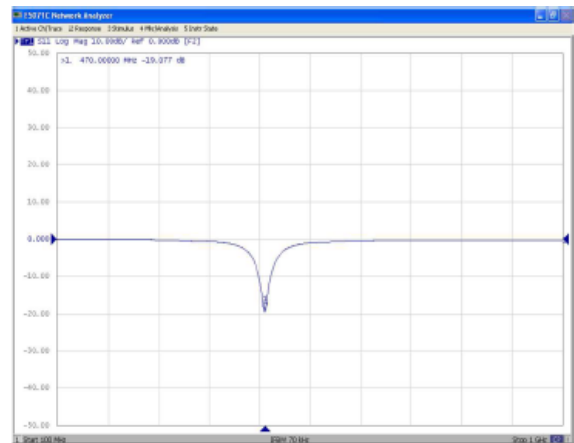
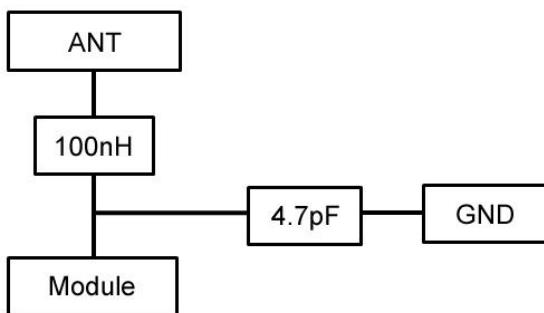
SMD Chip Series Antenna – BTCA Series

Test Instruments : Agilent E4991A Material/Impedance Analyzer

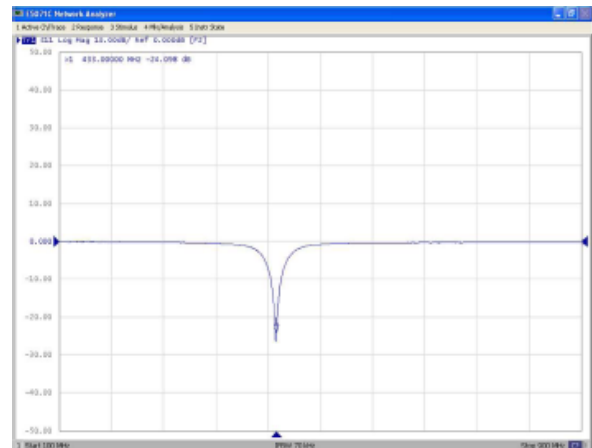
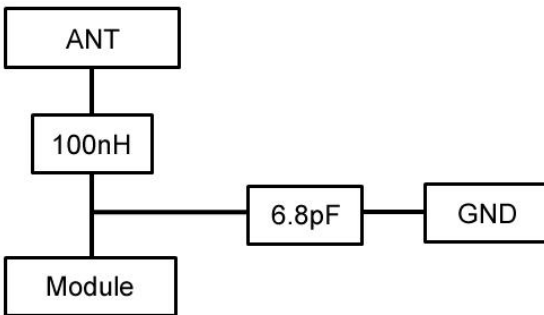
BTCA00502506005G0C



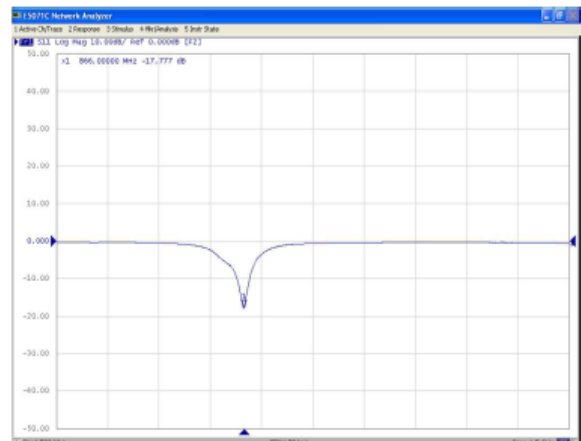
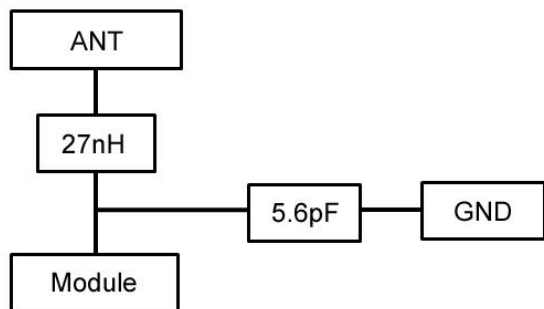
BTCA00702001000G4A



BTCA00702011000G4A



BTCA00702011000G8A

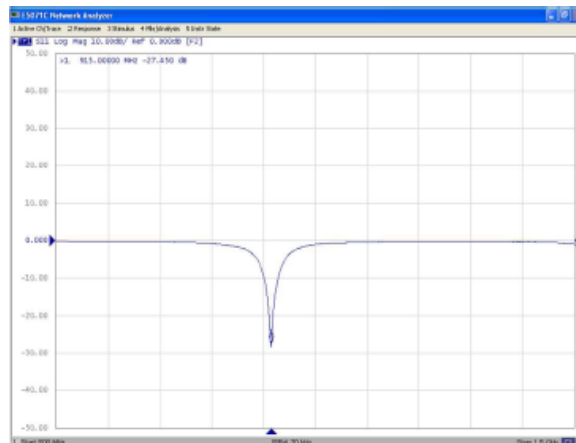
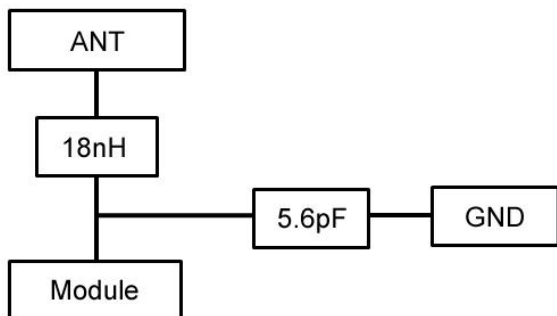


Please be sure to request approval specifications that provide further details of the products. Kindly note that the content of these specifications are subject to change or may be discontinued without prior notice. This product may not be designed/used in medical or high risk applications without Chilisin approval. Please contact our sales department before ordering.

SMD Chip Series Antenna – BTCA Series

Test Instruments : Agilent E4991A Material/Impedance Analyzer

BTCA00702011000G9A



Please be sure to request approval specifications that provide further details of the products. Kindly note that the content of these specifications are subject to change or may be discontinued without prior notice. This product may not be designed/used in medical or high risk applications without Chilisin approval. Please contact our sales department before ordering.

SMD Chip Series Antenna – BTCA Series

Packaging Specifications

Tape Dimensions

Reel Dimensions

FIG 1

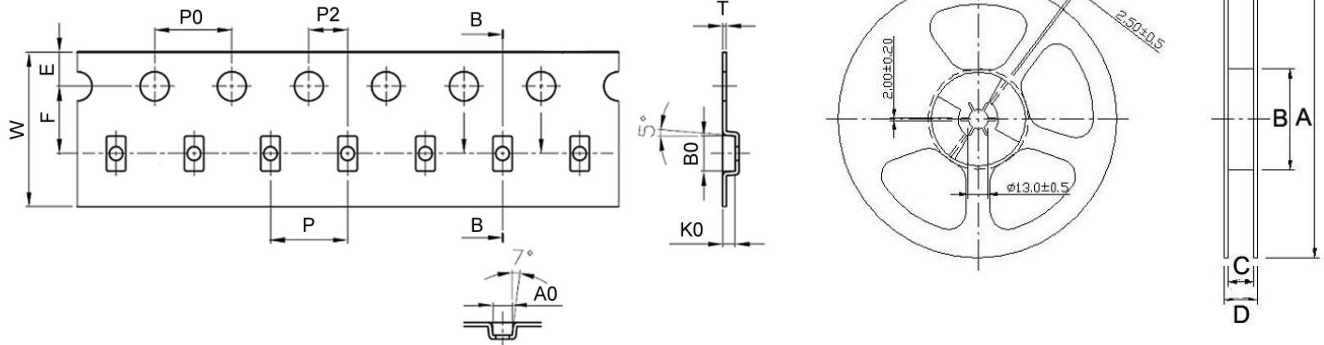


FIG 2

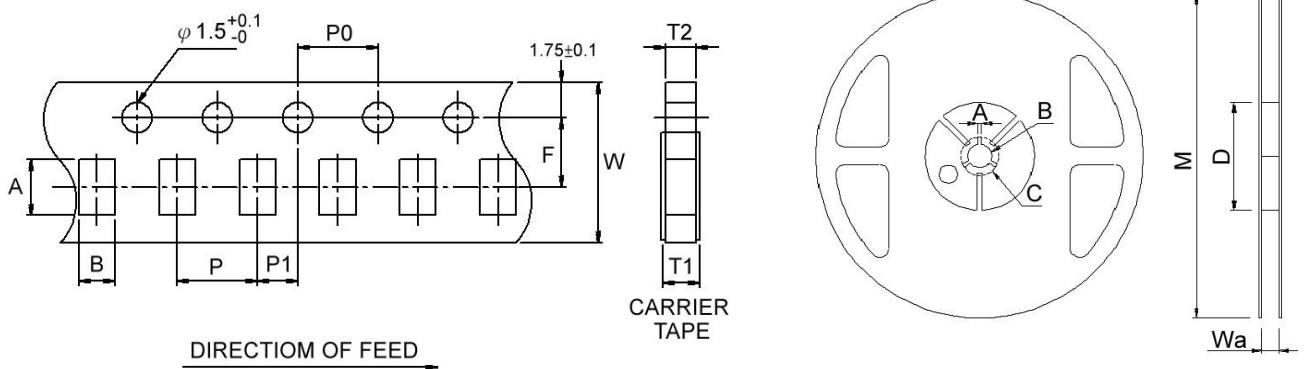
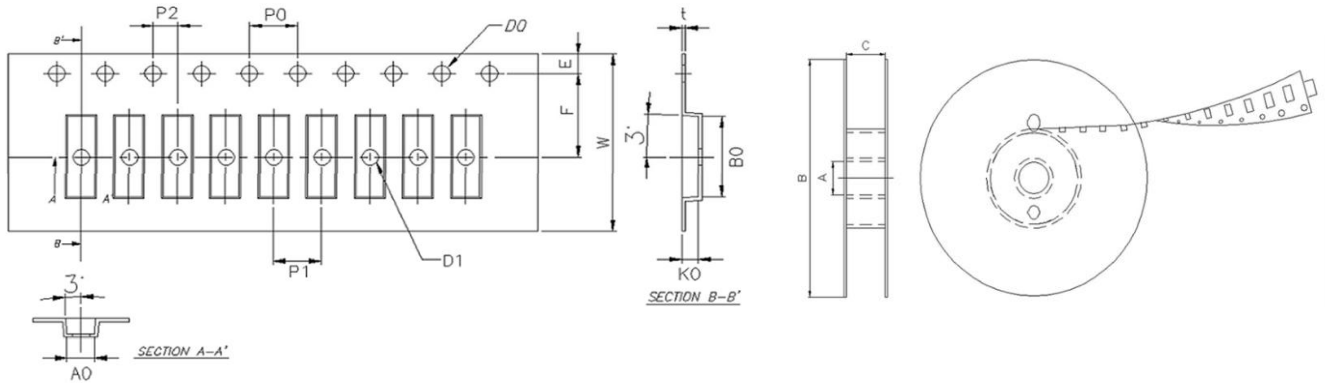


FIG 3



TYPE	FIG	Tape Dimensions										Reel Dimensions				Quantity	
		A0	B0	T	E	W	P	P0	P2	F	K0	A	B	C	D	PCS / REEL	
BTCA001608	1	1.05	1.85	0.20	1.75	8	4	4	2	3.5	0.65	178	62	8.4	14.4	4000	
BTCA002012	1	1.50	2.27	0.23	1.75	8	4	4	2	3.5	0.70	178	62	8.4	14.4	4000	
BTCA003216	1	1.85	3.50	0.23	1.75	8	4	4	2	3.5	0.73	178	62	8.4	14.4	4000	
BTCA000720	3	2.3	7.3	0.3	1.75	16	4	4	2	7.5	1.4	77	560	96	-	390	
TYPE	FIG	Tape Dimensions										Reel Dimensions				Quantity	
		A	B	T1	W	P	P0	P1	F	T2	Wa	M	A	B	C	D	PCS / REEL
BTCA00160800	2	1.8	1.0	0.6	8	4	4	2	3.5	0.6	9	178	2	13.5	21	60	5000
BTCA00201005	2	2.2	1.2	0.6	8	2	4	2	3.5	0.6	9	178	2	13.5	21	60	10000
BTCA00321605	2	3.5	1.9	0.75	8	4	4	2	3.5	0.75	9	178	2	13.5	21	60	5000
BTCA00502505	2	0.68	0.38	0.38	12	2	4	2	3.5	0.3	13.8	178	2	13.5	21	80	4000