

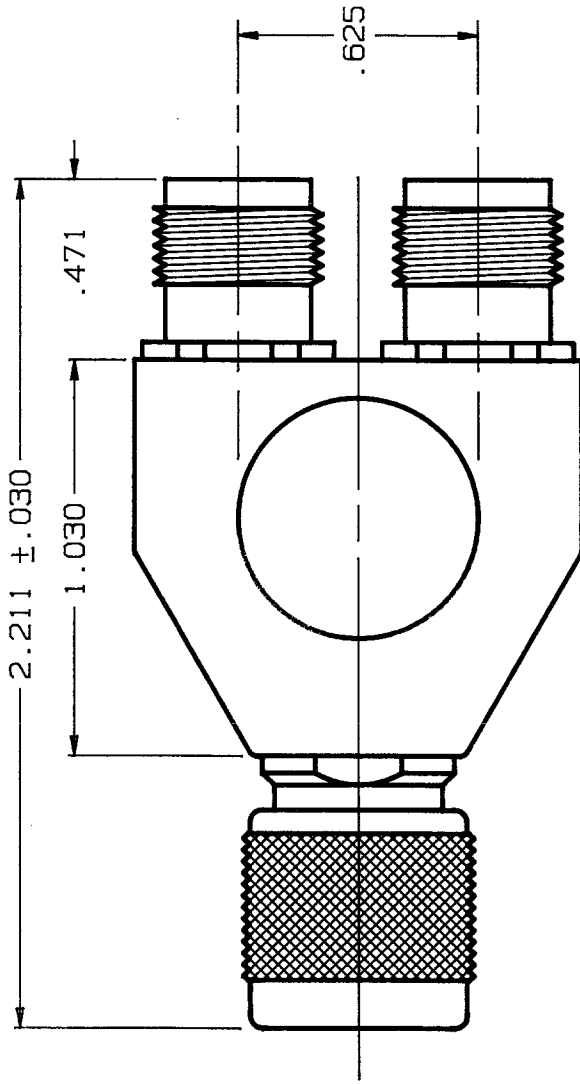
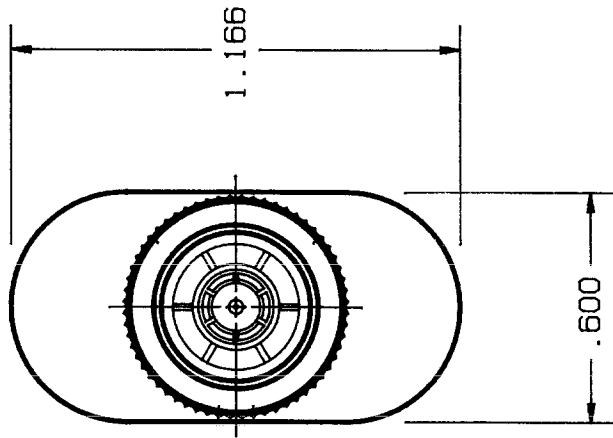
DATA CONTAINED IN THIS DOCUMENT IS PROPRIETARY TO TROMPETER ELECTRONICS INC. AND SHALL NOT BE DISCLOSED, COPIED OR USED FOR PROCUREMENT OR MANUFACTURE WITHOUT EXPRESS WRITTEN PERMISSION.

DWG SIZE A
DISK # C 8

REVISIONS

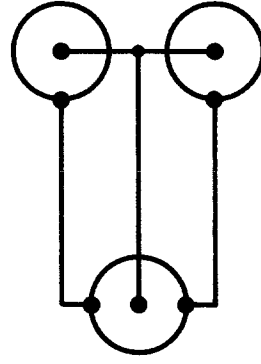
REV	EO	DESCRIPTION	DWN	APPROVED	DATE
C	9459	SH 2, L/M ADDED NOTE 1 TO ITEMS 1 THRU 4	J S	B.M.	9-19-91

DASH NO	MODEL NO	OHMS
-1	PN2A-TNC	50
-2	UPN2A-TNC	75



INCH	MM
.005	0.13
.030	0.76
.471	11.96
.600	15.24
.625	15.88
1.030	26.16
1.166	29.62
2.211	56.16

SCHEMATIC



QTY	DESCRIPTION	PART NUMBER	ITEM
TOL UNLESS SPECIFIED .XX ± .XXX ± .005 .XXXX ± ANGLE±	TROMPETER ELECTRONICS, INC.	U/PN2A-TNC	
DWN J S	MATERIAL	CODE IDENT	REV
9/11/91		14949	1-0027
CHK B.M.	SCALE 2/1	DATE 6/3/69	SHEET 1 OF 2
ENGR			
APPR			

2. FINISH: TFS-1A (NICKEL)

1. ALL DIM ARE IN INCHES

NEXT ASSY