

Mixer, Image Reject
3.4— 5.2GHz

M/A-COM Products
Advanced: Rev. —

Features

- 23 dBm Input IP3
- 8 dB Conversion Loss
- 30 dB Image Rejection
- +15 dBm LO Input
- 4 mm, 24 Lead QFN Package
- RoHS Compliant
- MSL 1

Description

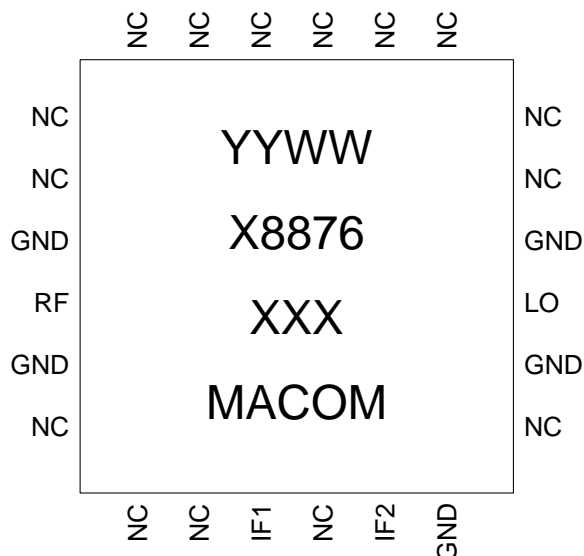
The MAMX-008876-PKG003 is an Image Reject Mixer that may be used for downconversion and upconversion. High IP3, excellent return losses, high isolation, and excellent image rejection make this mixer an ideal choice for point-to-point radio applications.

The RoHS compliant QFN package is compatible with 260°C reflow temperatures and has an MSL 1 rating. The MTTF is greater than 1,000,000 hours over the full operating temperature range of -40 to +85°C.

Electrical Specifications: $Z_0 = 50\Omega$, LO = +15 dBm

Parameter	Typical	Units
RF and LO Frequency	3.4-5.2	GHz
IF Frequency	DC-2.5	GHz
Conversion Loss	8	dB
Image Rejection	30	dB
LO to RF Isolation	45	dB
LO to IF Isolation	25	dB
RF Return Loss	10	dB
IF Return Loss	15	dB
Input IP3	23	dBm
Input P1dB	14	dBm
Amplitude Balance	0.2	dBm
Phase Balance	4	

Product Drawing



Absolute Maximum Ratings

Parameter	Absolute Maximum
Storage Temperature	-55°C to +150°C
Case Temperature	-40°C to +85°C
Junction Temperature	+150°C
LO Input Power	+23 dBm
RF Input Power	+20 dBm
IF Input Power	+20 dBm
ESD Level (HBM)	250V

Ordering Information

Part Number	Package
MAMX-008876-PKG003	4 mm, 24 Lead QFN
MAMX-008876-SMB003	Evaluation Sample Board
MAMX-008876-DIE000	Bare Die

ADVANCED: Data Sheets contain information regarding a product M/A-COM is considering for development. Performance is based on target specifications, simulated results, and/or prototype measurements. Commitment to develop is not guaranteed.

PRELIMINARY: Data Sheets contain information regarding a product M/A-COM has under development. Performance is based on engineering tests. Specifications are typical. Mechanical outline has been fixed. Engineering samples and/or test data may be available. Commitment to produce in volume is not guaranteed.

- **North America** Tel: 800.366.2266 / Fax: 978.366.2266
- **Europe** Tel: 44.1908.574.200 / Fax: 44.1908.574.300
- **Asia/Pacific** Tel: 81.44.844.8296 / Fax: 81.44.844.8298

Visit www.macom.com for additional data sheets and product information.

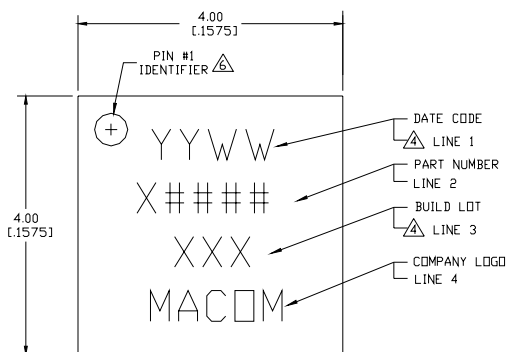
M/A-COM Inc. and its affiliates reserve the right to make changes to the product(s) or information contained herein without notice.

MAMX-008876-PKG003

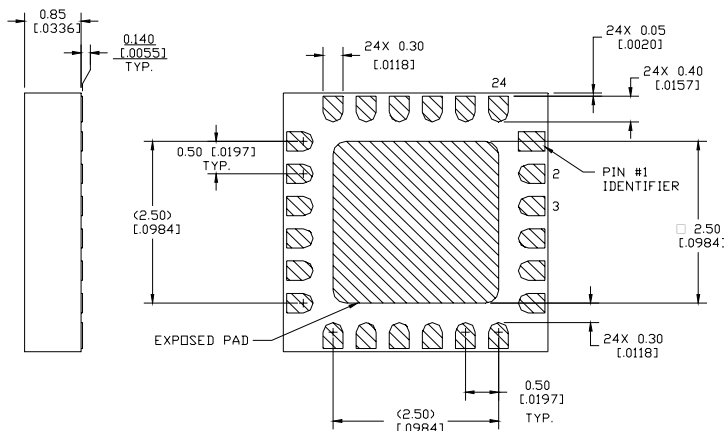
Mixer, Image Reject
3.4— 5.2GHz

M/A-COM Products
Advanced: Rev. —

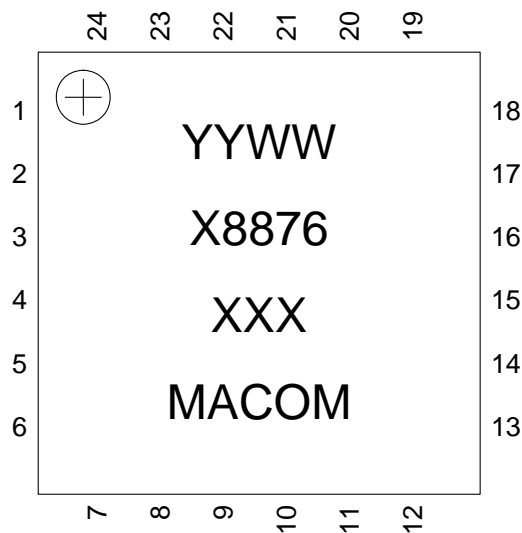
Outline Drawing



Dimensions are in mm (inches)



Pin Designations



Pin	Function	Pin	Function
1	NC	13	NC
2	NC	14	GND
3	GND	15	LO
4	RF	16	GND
5	GND	17	NC
6	NC	18	NC
7	NC	19	NC
8	NC	20	NC
9	IF1	21	NC
10	NC	22	NC
11	IF2	23	NC
12	GND	24	NC

Exposed pad on bottom is ground

ADVANCED: Data Sheets contain information regarding a product M/A-COM is considering for development. Performance is based on target specifications, simulated results, and/or prototype measurements. Commitment to develop is not guaranteed.

PRELIMINARY: Data Sheets contain information regarding a product M/A-COM has under development. Performance is based on engineering tests. Specifications are typical. Mechanical outline has been fixed. Engineering samples and/or test data may be available. Commitment to produce in volume is not guaranteed.

- **North America** Tel: 800.366.2266 / Fax: 978.366.2266
- **Europe** Tel: 44.1908.574.200 / Fax: 44.1908.574.300
- **Asia/Pacific** Tel: 81.44.844.8296 / Fax: 81.44.844.8298

Visit www.macom.com for additional data sheets and product information.

M/A-COM Inc. and its affiliates reserve the right to make changes to the product(s) or information contained herein without notice.