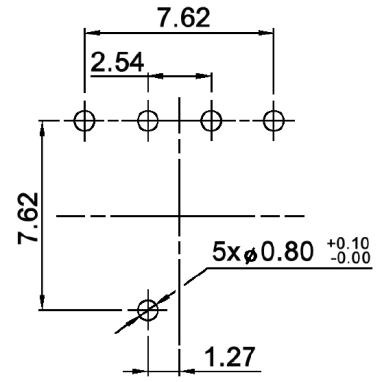


datecode of 2 digits

- 1. digit: year (8=2008)
- 2. digit: month (1 to 9 Jan to Sept, X Y Z Oct to Dec)

P.C.B. LAYOUT



TYPE	CIRCUIT CHARACTERISTIC										
	CODE	POSITION									ON
DRS 4010		1	●		●		●		●		●
	2		●	●		●	●		●	●	
	4				●	●	●	●			
	8									●	●

Compliance: RoHS II (2011/65/EU)

Tolerances: ±0.20mm max.		Date	Name	<h1>DRS 4010</h1>	
		12/07	dr		
Dimension	03/09	dr			
Dimensions	02/09	dr			
RoHS	06/08	dr	<h2>knitter-switch</h2>	<h1>30 13 22</h1>	
Dimensions	06/08	dr			Page
Operating temperature	04/08	dr			1/2
Modifications	Date	Name			

Specifications:

Contact rating: non-switching: 100mA, 50V DC
switching: 30mA, 15V DC

Contact resistance: 100mOhm max.

Insulation resistance: 1 000MOhm min. at 250V DC

Dielectric strength: 250V AC for 1 minute

Operating temperature: -40°C to +85°C

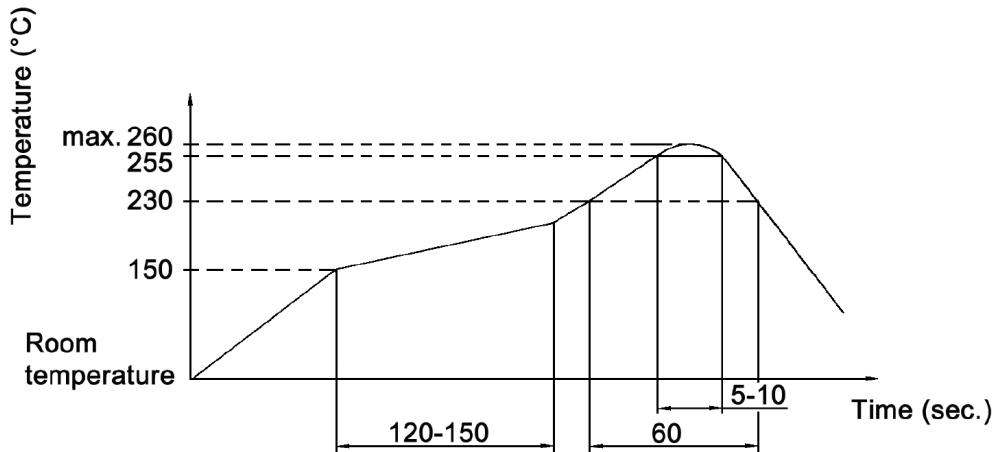
Mechanical life: 20 000 cycles min.

Operating force: 250 gf.cm max.

Material: Base / cover: high-temp. thermoplastic nylon UL94V-0,
molded black
Movable contact: alloy copper, gold plated
Actuator: high-temp. thermoplastic nylon UL94V-0,
color: yellow
O-ring: silicone
Spring: stainless steel
Terminal: brass, gold plated

RoHS compliant and free from DecaBDE

Soldering conditions: wave soldering: 260°C, 5sec. max.
through hole reflow: 260 +/-5°C, 4-6sec.



Compliance: RohS II (2011/65/EU)

Tolerances: ±0.20mm max.	Date	Name	DRS 4010
	12/07	dr	
			30 13 22
			Page
			2/2
Modifications	Date	Name	