

## New Products Of New Package 5/6-pin XP Series : FX type (1)

The Sanyo new package 5/6-pin XPs are intermediate sized devices between Sanyo PCP and TP packages and have high power capability. This package line includes large current switching transistor series, power MOS FET series, and other device series. These packages are so small that high density mounting is possible. They are available for automatic mounting.

Note: Marking is the figures of type No.

### \* Low On-Resistance Power MOS FET

\*Low On-Resistance. \*Very High-speed switching. \*Low-voltage drive.

PD: Mounted on ceramic board (750mm<sup>2</sup>×0.8mm).

For P channel (-) sign is omitted.

Type No.	Package	Absolute Maximum Ratings/Ta=25°C				Electrical Characteristics/Ta=25°C							Related Type No. Chips used	
		V <sub>DSS</sub> (V)	V <sub>GSS</sub> (V)	I <sub>D</sub> (A)	P <sub>D</sub> (W)	V <sub>GS(off)</sub> (V)		yfs  typ (S)	RDS(on)		Ciss typ (pF)	Crss typ (pF)		
						min	max		I <sub>D</sub> (A)	V <sub>GS=4V</sub> typ/max (mΩ)				V <sub>GS=10V</sub> typ/max (mΩ)
FX 2 0 3	XP 5	30	±20	4	2	1	~2.5	3	2	210/290	120/160	370	70	2SJ417
FX 2 0 5		60	±25	2		1.5	~2.5	2	1	450/650	300/400	240	40	2SJ362
FX 2 1 1		250	±30	1.5		1.5	~2.5	1.3	1	-	3Ω/4Ω	160	20	(P channel)
FX 2 1 2		250	±30	2		1.5	~2.5	2	2	-	1.2Ω/1.6Ω	160	15	(N channel)
FX 2 1 6		150	±30	3		1.5	~2.5	2	1.5	-	530/700	180	25	(N channel)

### Composite Type (one unit)

<u>FX 6 0 9</u>	XP 6	20	±10	2	1.5	0.5	~1.5	2.8	1	114/200	-	170	50	2SK2316×2
FX 6 1 1		30	±20	2		1	~2.5	2.4	1	200/260	130/180	170	30	2SK2437×2

Take care to prevent device breakage from static electricity because MOS FETs cannot withstand much static electricity.

Underlined type Nos. are before mass production.

Electrical connection (Top view)

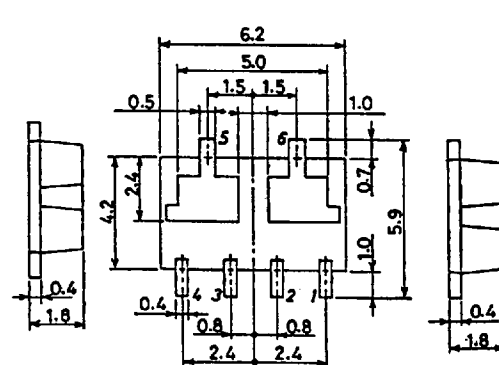
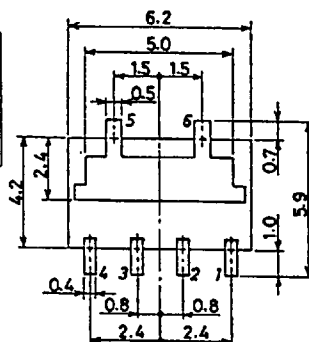
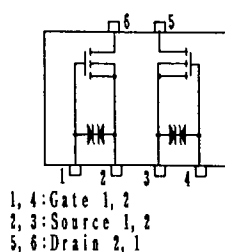
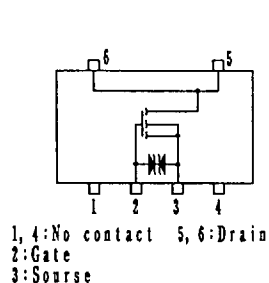
XP 5 (FX203, 205, 211, 212, 216)

XP 6 (FX609, 611)

Case Outlines (unit:mm)

SANYO:XP5

SANYO:XP6



These specification are subject to change without notice.

Next page