

**ALL SYSTEMS GO.**



**The AC Charge Coupler Connector facilitates connection of an AC power source to a plug-in electric vehicle.**

## AC Charge Coupler Connector

### Features:

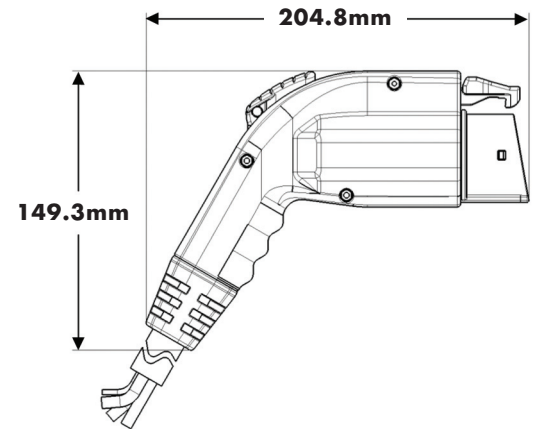
- Reliable Level 1 and Level 2 charging from an AC power source
- UL certified
- SAE J1772™, JARI and IEC 62196 (planned) compliant
- CE mark and TUV listed (European versions)
- Option to lock during charging
- Durable metal latch
- Weather proofing to NEMA Type 3S
- Mates with J1772™ compliant inlets

**YAZAKI NORTH AMERICA, INC.**  
**WWW.YAZAKI-NA.COM**

**For further information, please send inquiry to:**  
**evsales@us.yazaki.com**

All part numbers in the tables below share these common specifications:

- Rated Mating Cycles: 10,000
- Mating Force: <70N
- Maximum Rated Voltage: 300V AC



## North American

Wire color: Black – Line 1; White – Line 2/Neutral; Green – Ground; Light Blue – Control Pilot

Assembly Part Number	Connector Part Number	Wire Details	Cable Diameter	Rated Current	Case Color	Cable Protector Color	Cable Length
7335-8736	7335-8523	AWG10X3+AWG18X1	0.76in	30A	Gray	Black	15 ft.
7335-8737	7335-8523	AWG10X3+AWG18X1	0.76in	30A	Gray	Black	20 ft.
7335-8738	7335-8523	AWG10X3+AWG18X1	0.76in	30A	Gray	Black	25 ft.
7335-8719	7335-8523	AWG10X3+AWG18X1	0.76in	30A	White	Blue	15 ft.
7335-8720	7335-8523	AWG10X3+AWG18X1	0.76in	30A	White	Blue	20 ft.
7335-8493	7335-8523	AWG10X3+AWG18X1	0.76in	30A	White	Blue	25 ft.
7335-8733	7335-8481	AWG12X3+AWG18X1	0.47in	20A	White	Blue	15 ft.
7335-8734	7335-8481	AWG12X3+AWG18X1	0.47in	20A	White	Blue	20 ft.
7335-8735	7335-8481	AWG12X3+AWG18X1	0.47in	20A	White	Blue	25 ft.

## European

Wire color: Black – Line 1; White – Line 2/Neutral; Green – Ground; Brown – Control Pilot

Assembly Part Number	Connector Part Number	Wire Details	Cable Diameter	Rated Current	Case Color	Cable Protector Color	Cable Length
7335-8730	7335-8480	2.5mm <sup>2</sup> X3+0.75mm <sup>2</sup> X1	12.4mm	20A	White	Blue	3.0m
7335-8731	7335-8480	2.5mm <sup>2</sup> X3+0.75mm <sup>2</sup> X1	12.4mm	20A	White	Blue	5.0m
7335-8732	7335-8480	2.5mm <sup>2</sup> X3+0.75mm <sup>2</sup> X1	12.4mm	20A	White	Blue	7.0m
*7335-8763	7335-8458	2.5mm <sup>2</sup> X3+0.75mm <sup>2</sup> X1	12.4mm	20A	White	Blue	3.0m
*7335-8764	7335-8458	2.5mm <sup>2</sup> X3+0.75mm <sup>2</sup> X1	12.4mm	20A	White	Blue	5.0m
*7335-8465	7335-8458	2.5mm <sup>2</sup> X3+0.75mm <sup>2</sup> X1	12.4mm	20A	White	Blue	7.0m

\* These parts include a protective cap