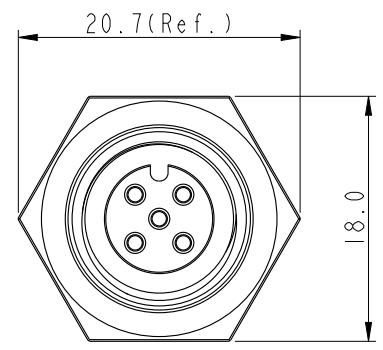
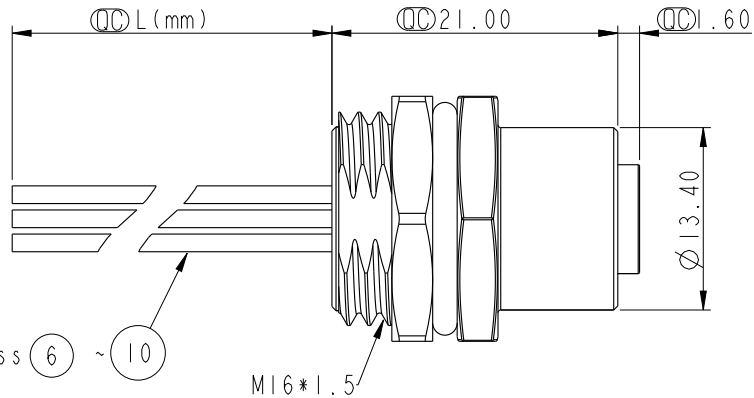
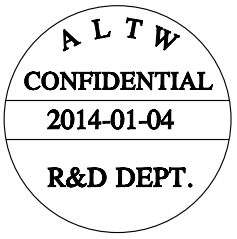


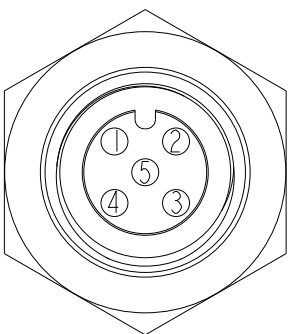
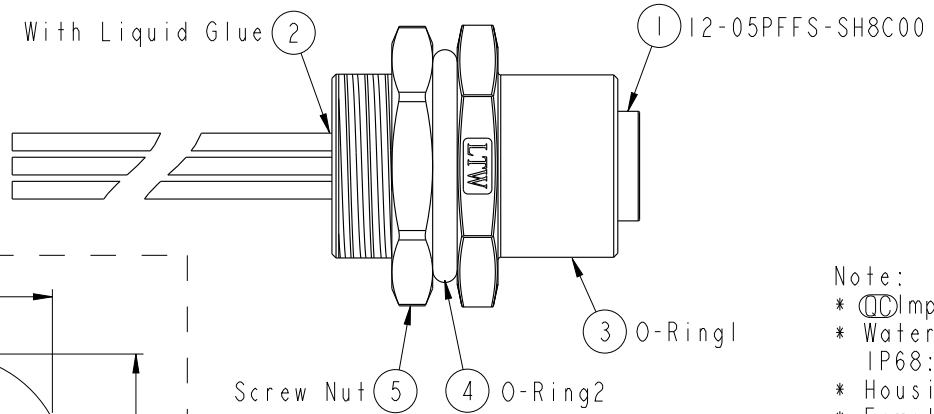
THIS DOCUMENT IS SUBJECT TO CHANGE WITHOUT NOTICE. IT IS CONFIDENTIAL AND A PROPERTY OF AMPHENOL LTW. DISCLOSURE TO THIRD PARTY HAS TO BE AUTHORIZED BY AMPHENOL LTW.

REV.	ECN NO.	DATE	SIGN	DESCRIPTION
B	LEN1390289~291	2013-09-24	Tony_leng	Change Cut-Out To $\varnothing 16.10$
C	LE31410061~63	2014-01-04	Tony_leng	Change Ball No. & Wire Length

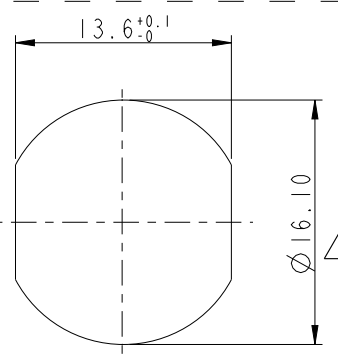


12-05PFFS-SH8CXX $\triangle C$

XX: 150~1500mm
 15: 150mm
 30: 300mm
 50: 500mm
 A0: 1000mm
 A5: 1500mm
 Wire Length(L): 150~1500mm



Pin Assignment Front View



Recommended Panel Cut-Out

5	Gray	灰
4	Black	黑
3	Blue	藍
2	White	白
1	Brown	棕
Conn.	Wire Color	Pin Out

Note:

- * \varnothing Important Dimension.
- * Waterproof Rate: IP68.
IP68: 1M Depth Of Water In 24hours.
- * Housing: Nylon+GF, Black.
- * Female Pin: Copper Alloy, Gold Plated.
- * Shield: Zinc Alloy, Nickel Plated.
- * Nut: Zinc Alloy, Nickel Plated.
- * O-Ring1: Viton, Green
- * O-Ring2: EPDM, Black.
- * Wire Harness: UL1061 22AWG
- * For Panel Thickness Max 4.5mm.
- * Nut Torque: 4-6 Kgf.cm
- * Wire harness Tolerance: 150~300 \pm 15mm
301~1000 \pm 20mm
Over1000 \pm 40mm

UNIT: mm	TOLERANCE .X ± 0.25 .XX ± 0.1 .XXX ± 0.05 ANGLES $\pm 1^\circ$	TITLE M12 Conn. with wire Harness		Amphenol LTW 安費諾亮泰企業股份有限公司	ITEM NO	DRAWN BY Tony_leng	DATE 2014-01-04
		SCALE 1:1	SIZE A4		SHEET 1	DWG NO 12-05PFFS-SH8CXX	CHECKED BY Jimmy
REV. C WC-REV. B.2 \varnothing : Inspection item				CUSTOMER ALTW	APPROVED BY Jerry	DATE 2014-01-04	