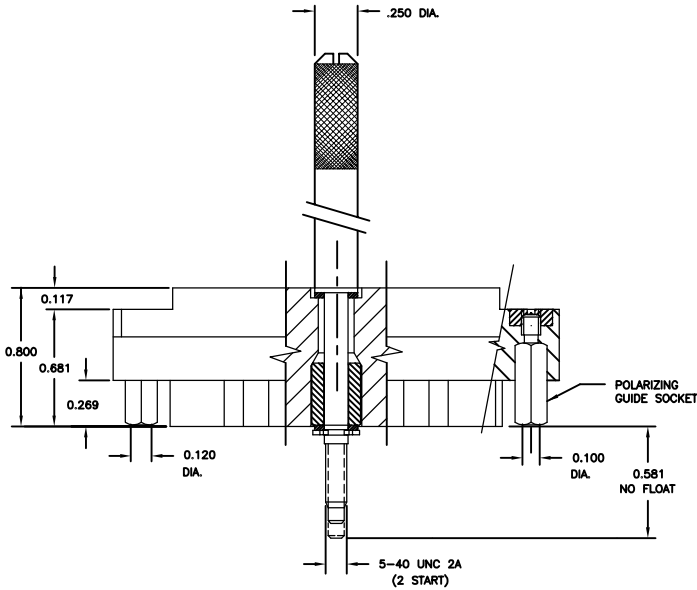
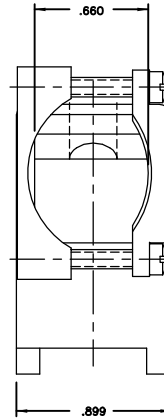
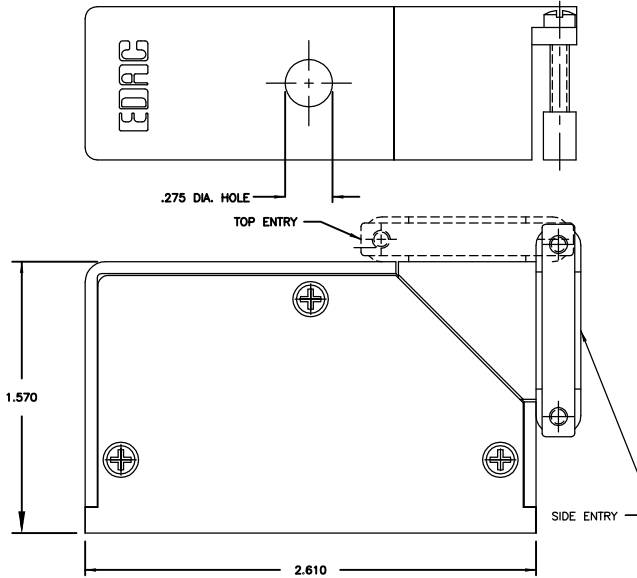


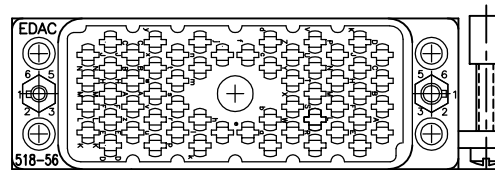
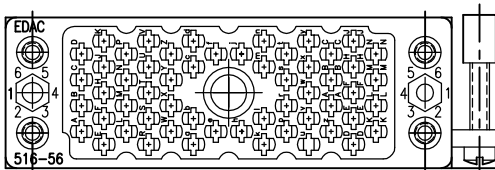
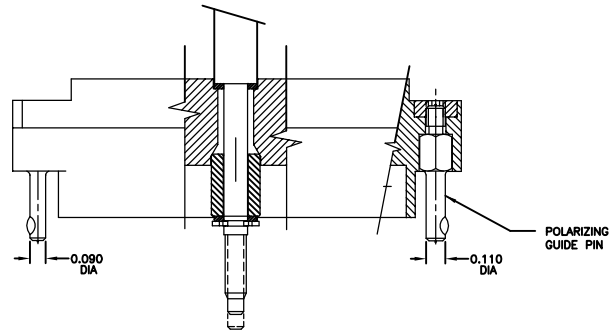


| | |
|----------------------------|---|
| ISSUE NUMBER | |
| ORIGINAL | ① |
| UPDATE LABEL PRINT MARKING | ② |
| R.STA.MONICA MAY.25/2016 | |



NOTES:

- 1- IF COVER IS TO BE ORDER SEPARATELY, COVER PART NUMBER TO BE USED IS 516-230-756



RECEPTACLE

PLUG

THIS SERIES FULLY CONFORMS TO THE
EUROPEAN UNION DIRECTIVES
2011/65/EU FOR RoHS COMPLIANCY.



516 SERIES CONNECTOR 56 SIZE
WITH METAL COVER
e/w LARGER CABLE CLAMP

| | |
|--------------------|------------------|
| ACAD REFERENCE NO. | 516-056-000-920 |
| DRAWN: R.BLAKELY | DATE: AUG. 25/05 |
| CHECKED: | DATE: |

EDAC EDAC INC
TORONTO, ONTARIO
CANADA
YOUR CONNECTION TO QUALITY & SERVICE

THESE DRAWINGS AND SPECIFICATIONS ARE THE PROPERTY OF EDAC INC., AND SHALL NOT BE REPRODUCED, OR COPIED OR USED AS THE BASIS FOR THE MANUFACTURE OR SALE OF APPARATUS WITHOUT WRITTEN PERMISSION.

| | |
|-----------------------------------|---------------|
| SCALE: NTS | SHEET: 1 OF 2 |
| DRAWING NUMBER 516-056-000-936 | ISSUE 2 |

PART NUMBER FOR FINAL ASSEMBLY

516-056-000-936

SERIES

NUMBER OF EDACON CONTACTS

NO CONTACTS INSTALLED

INSULATOR MATERIAL: GREEN POLYESTER

936 RECEPTACLE; WITH COVER; e/w ACTUATING SCREW & POLARIZING GUIDE SOCKETS

IF ORDERED SEPARATELY:

RECEPTACLE: (516-056-000-601)

COVER: (516-230-756)

937 PLUG; WITH COVER; e/w ACTUATING SCREW & POLARIZING GUIDE PINS

IF ORDERED SEPARATELY:

PLUG: (516-056-000-501)

COVER: (516-230-756)

THIS SERIES FULLY CONFORMS TO THE
EUROPEAN UNION DIRECTIVES
2011/65/EU FOR RoHS COMPLIANCY.



516 SERIES CONNECTOR 56 SIZE
WITH METAL COVER
e/w LARGER CABLE CLAMP

ACAD REFERENCE NO. 516-056-000-920

DRAWN: R.BLAKELY

DATE: AUG. 25/05

CHECKED:

DATE:

SCALE: NTS

SHEET: 2 OF 2

DRAWING NUMBER

516-056-000-936

ISSUE

2



EDAC INC
TORONTO, ONTARIO
CANADA

YOUR CONNECTION TO QUALITY & SERVICE

THESE DRAWINGS AND SPECIFICATIONS
ARE THE PROPERTY OF EDAC INC., AND
SHALL NOT BE REPRODUCED, OR COPIED
OR USED AS THE BASIS FOR THE
MANUFACTURE OR SALE OF APPARATUS
WITHOUT WRITTEN PERMISSION.