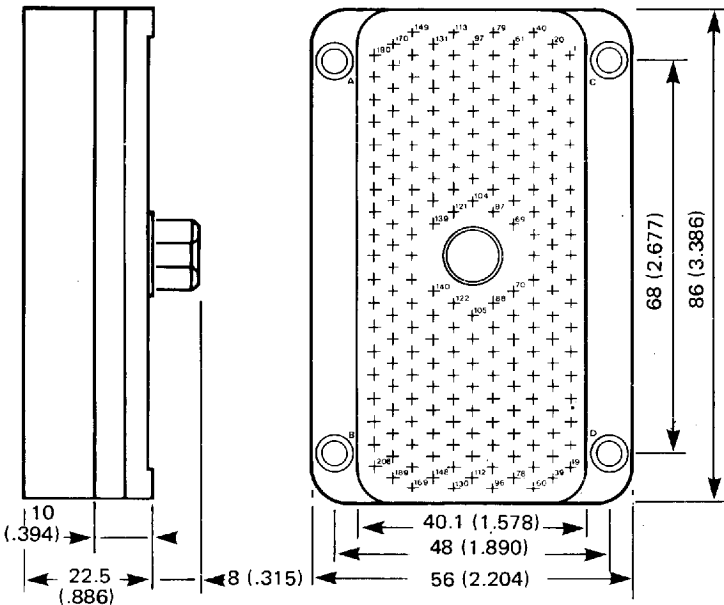


MMC SERIES

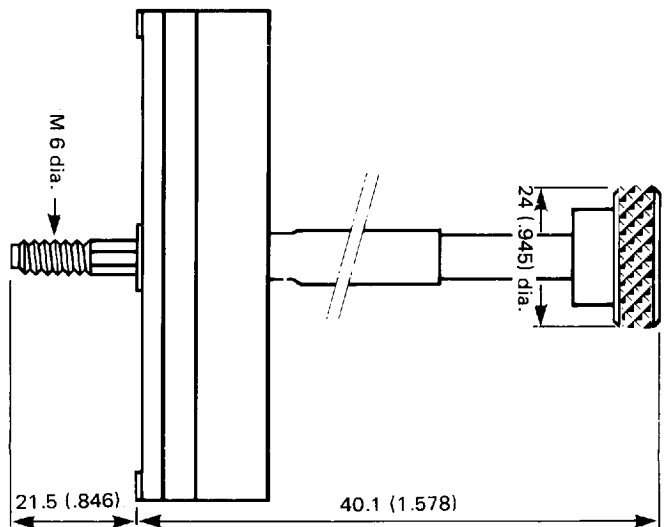
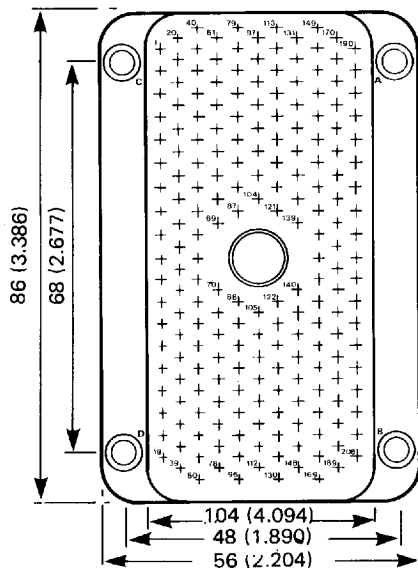
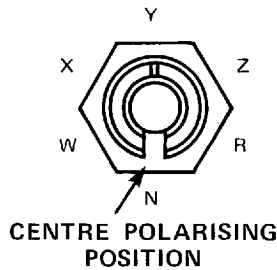
BLOCKS 208 CONTACTS

VIEW WIRING SIDE



Polarising positions	Guides supplied : unmounted	
	4 female	2 male / 2 fem.
N	690 768 001	690 778 004
R	690 768 002	690 778 007
Z	690 768 003	690 778 002
Y	690 768 004	690 778 003
X	690 768 005	690 778 001
W	690 768 006	690 778 005

Polarising positions	Guides supplied : unmounted	
	4 male	2 male / 2 fem.
N	690 769 001	690 767 001
R	690 769 002	690 767 002
Z	690 769 003	690 767 003
Y	690 769 004	690 767 004
X	690 769 005	690 767 005
W	690 769 006	690 767 006



MMC SERIES

BLOCKS 208 CONTACTS

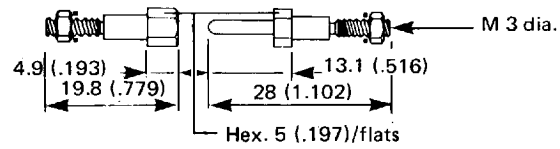
GUIDES (stainless steel) to mount in positions A, B, C, D

female

Réf. 690 958

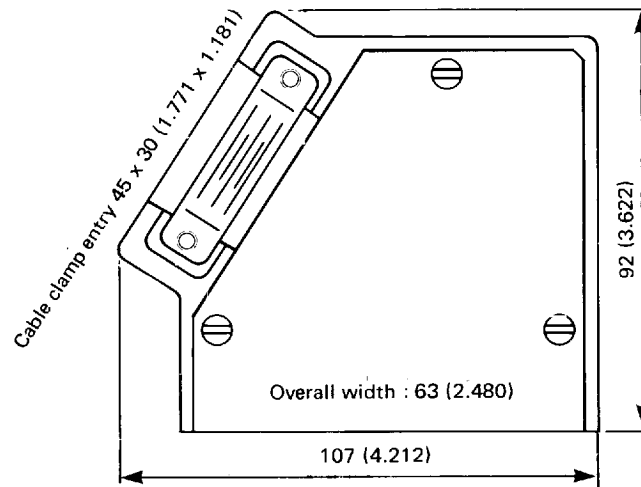
male

Réf. 690 968



HOOD

(cast aluminium painted black)



Référence :
690 982

