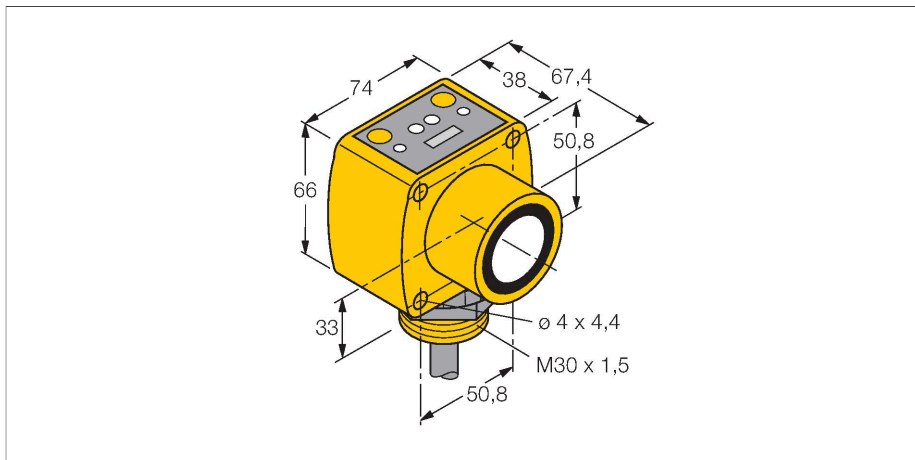


QT50UDB

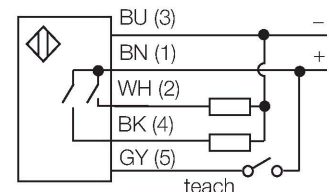
Ultrasonic sensor – diffuse mode sensor



Features

- LED indicates signal intensity
- Cable, PVC, 2 m, 5-wire
- Temperature compensation selectable via DIP switch
- Two switching ranges, separately adjustable via teach-in
- Pump function adjustable via DIP switch

Wiring diagram



Functional principle

Ultrasonic sensors detect a multitude of objects contactless and wear-free with ultrasonic waves. Regardless of whether the object is transparent or opaque, metallic or non-metallic, liquid, solid or powdery. Even environmental conditions such as spray, dust or rain hardly affect their function.

Technical data

Type	QT50UDB
ID	3002722
Ultrasonic data	
Function	Proximity switch
Range	200...8000 mm
Ultrasound frequency	75 kHz
Repeatability	≤ ± 1 mm
Temperature drift	≤ 0.02 % of full scale/K
Edge lengths of the nominal actuator	500 mm
Electrical data	
Operating voltage	10...30 VDC
Response time typical	< 100 ms
Readiness delay	≤ 1500 ms
Output function	2 normally open contact, PNP
Switching frequency	≤ 5 Hz
Hysteresis	≤ 5 mm
Short-circuit protection	yes
Mechanical data	
Design	Rectangular, QT50U
Radiation direction	straight
Dimensions	67.4 x 74 x 84.2 mm
Housing material	Plastic, PBT
Transducer material	Plastic, Epoxyd resin and PU foam
Electrical connection	Cable, 2 m, PVC
Ambient temperature	-20...+70 °C
Storage temperature	-40...+90 °C

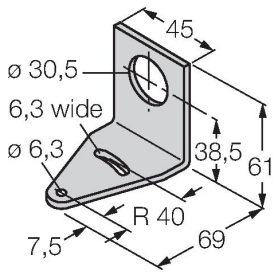
Technical data

Relative humidity	100 %
Protection class	IP67
Power-on indication	LED, Green
Switching state	LED, Yellow
Object detected	LED, Red
Tests/approvals	
MTTF	131 years acc. to SN 29500 (Ed. 99) 40 °C
Approvals	CE

Accessories

SMB30A

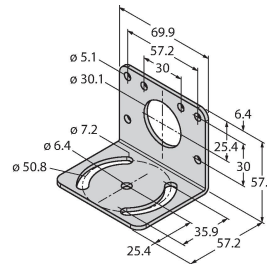
3032723



Mounting bracket, rectangular, stainless steel, for sensors with 30mm thread

SMB30MM

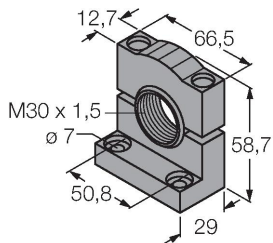
3027162



Mounting bracket, rectangular, stainless steel, for sensors with 30 mm thread, wide holes for accurate alignment

SMB30SC

3052521



Mounting bracket, PBT black, for sensors with 30 mm thread, rotatable