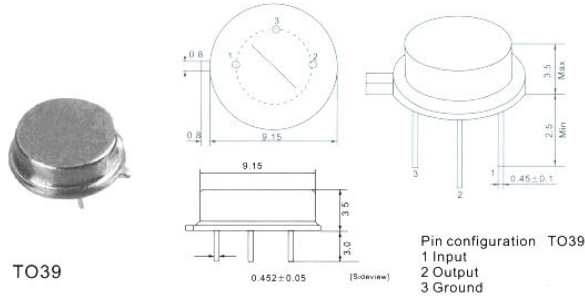
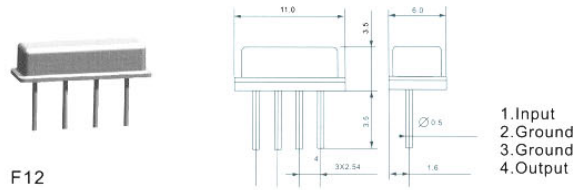
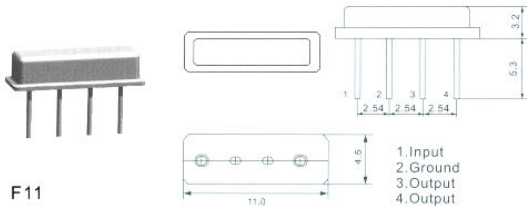


SAW Resonator

● **DIP Type**
插脚型



One Port Resonator
单端对谐振器

Part Number 型号	Center Frequency 中心频率	Frequency Tolerance 频率精度	Insertion Attenuation 插入损耗	Package 封装
HDR115M	115.0	±100	2.5	F12
HDR119M	119.2	±100	2.5	F12
HDR224M	224.500	±100	2.5	TO39,F11
HDR260M	260.000	±100	2.5	TO39,F11
HDR293M	293.975	±100	2.5	TO39,F11
HDR297M	297.800	±100	2.5	TO39,F11
HDR303K	303.875	±100	2.5	TO39,F11
HDR303M	303.825	±100	2.5	TO39,F11
HDR304M	304.300	±100	2.5	TO39,F11
HDR305M	305.000	±75	2.5	TO39,F11
HDR307M	307.500	±75	2.5	TO39,F11
HDR308M	308.500	±75	2.5	TO39,F11
HDR310M	310.000	±75	2.5	TO39,F11
HDR311M	311.063	±75	2.5	TO39,F11
HDR314M	314.500	±75	2.5	TO39,F11
HDR315M	315.000	±75	2.5	TO39,F11
HDR316.8M	316.800	±75	2.5	TO39,F11
HDR318M	318.000	±75	2.5	TO39,F11
HDR320M	320.000	±75	2.5	TO39,F11

Continued on the following page. ☐

Contacts:

TELCONA AG,Head Office: Höri, Switzerland
TELCONA AG,Sales Office: Sinsheim, Germany
TELCONA AG,Sales Office: Lésigny, France

Tel.++41-1-860 2550
Tel.++49-7261-655 388
Tel.++33-1-60 34 28 28

Fax.++41-1-860 2822 www.telcona.com
Fax.++49-7261-655 389
Fax ++33-1-60 34 28 29

SAW Resonator

Continued from the preceding page.

Part Number 型号	Center Frequency 中心频率	Frequency Tolerance 频率精度	Insertion Attenuation 插入损耗	Package 封装
HDR325M	325.000	±75	2.5	TO39,F11
HDR330M	330.000	±75	2.5	TO39,F11
HDR335.1M	335.100	±75	2.5	TO39,F11
HDR340M	340.000	±75	2.5	TO39,F11
HDR345M	345.000	±75	2.5	TO39,F11
HDR360M	360.000	±75	2.5	TO39,F11
HDR372.5M	372.500	±75	2.5	TO39,F11
HDR382M	382.840	±75	2.5	TO39,F11
HDR383M	383.160	±75	2.5	TO39,F11
HDR390M	390.000	±75	2.5	TO39,F11
HDR395M	395.000	±75	2.5	TO39,F11
HDR403K	403.050	±75	2.5	TO39,F11
HDR407M	407.300	±75	2.5	TO39,F11
HDR418M	418.000	±75	2.5	TO39,F11
HDR422M	422.000	±75	2.5	TO39,F11
HDR423M	423.220	±75	2.5	TO39,F11
HDR426M	426.062	±75	2.5	TO39,F11
HDR433.42M	433.420	±75	2.5	TO39,F11
HDR433M	433.920	±75	2.5	TO39,F11
HDR435M	435.700	±75	2.5	TO39,F11
HDR447M	447.625	±100	2.5	TO39,F11
HDR456M	456.800	±100	2.5	TO39,F11
HDR457M	457.500	±100	2.5	TO39,F11
HDR462M	462.500	±150	2.5	TO39,F11
HDR479M	479.500	±150	2.5	TO39,F11
HDR857.65M	857.650	±250	2.5	TO39,F11
HDR868M	868.000	±250	2.5	TO39,F11
HDR868.35M	868.350	±250	2.5	TO39,F11
HDR868.95M	868.950	±250	2.5	TO39,F11
HDR915M	915.000	±250	2.5	TO39,F11

TELCONA AG

Contacts:

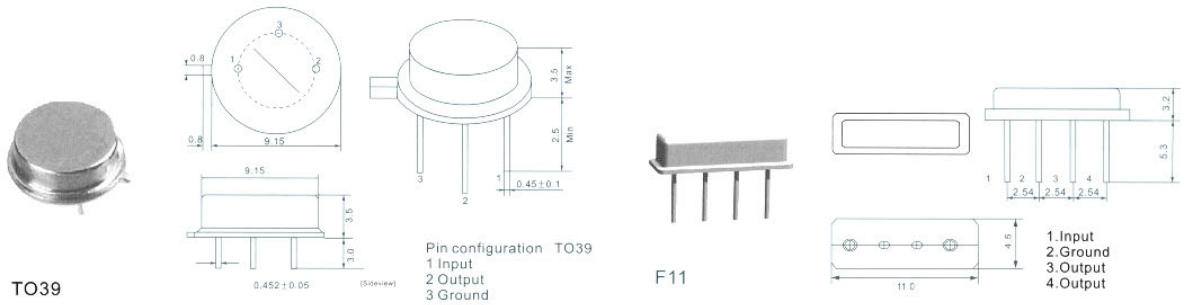
TELCONA AG,Head Office: Höri, Switzerland
 TELCONA AG,Sales Office: Sinsheim, Germany
 TELCONA AG,Sales Office: Lésigny, France

Tel.++41-1-860 2550
 Tel.++49-7261-655 388
 Tel.++33-1-60 34 28 28

Fax.++41-1-860 2822 www.telcona.com
 Fax.++49-7261-655 389
 Fax ++33-1-60 34 28 29

SAW Resonator

Two Port Resonator 双端对谐振器



Part Number 型号	Center Frequency MHz 中心频率	Frequency Tolerance KHz 频率精度	Insertion Attenuation 插入损耗	Package 封装
HDR224D	224.500	±50	7.5	TO39,F11
HDR303D	303.825	±100	7.5	TO39,F11
HDR307D	307.300	±100	7.5	TO39,F11
HDR335.1D	335.100	±100	2.5	TO39,F11
HDR315D	315.00	±100	7.5	TO39,F11
HDR380D	380.000	±100	7.5	TO39,F11
HDR384D	384.050	±100	7.5	TO39,F11
HDR391D	391.850	±100	7.5	TO39,F11
HDR402D	402.550	±100	7.5	TO39,F11
HDR403D	403.550	±100	7.5	TO39,F11
HDR414D	414.250	±100	7.5	TO39,F11
HDR418D	418.000	±75	7.5	TO39,F11
HDR423D	423.220	±75	7.5	TO39,F11
HDR433D	433.920	±75	7.5	TO39,F11
HDR434D	434.020	±75	7.5	TO39,F11
HDR437D	437.030	±75	7.5	TO39,F11
HDR447D	447.730	±75	7.5	TO39,F11
HDR479D	479.500	±75	7.5	TO39,F11
HDR824.25D	824.250	±250	7.5	TO39,F11
HDR868.50D	868.500	±250	7.5	TO39,F11

Contacts:

TELCONA AG,Head Office: Höri, Switzerland
TELCONA AG,Sales Office: Sinsheim, Germany
TELCONA AG,Sales Office: Lésigny, France

Tel.++41-1-860 2550
Tel.++49-7261-655 388
Tel.++33-1-60 34 28 28

Fax.++41-1-860 2822 www.telcona.com
Fax.++49-7261-655 389
Fax ++33-1-60 34 28 29