

Data Sheet

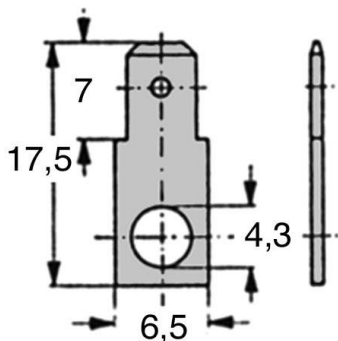
## PC Quick-Fit Terminal 4.8x0.8mm Brass tinned with hole ø4.3mm

Part No.: 019.48.241



Image for illustrative purposes only.

Finish :	Tin-Plated
Mounting Hole [mm] :	4,3
Material :	Brass CuZn37 ASTM C27200
Version :	4,8x0,8 mm
Design :	Straight
Plug-In Length [mm] :	7
Special Features :	in Messing, blank = 19.48.240
Width [mm] :	6,5
Weight per 100 pcs :	55 g
Customs tariff number :	85366990
Conformities :	



All information is available online  
on our detail product page!

Looking for some advice for your specific situation?  
If so, please don't hesitate to e-mail us at [products@ettinger.de](mailto:products@ettinger.de)

Subject to changes and errors.