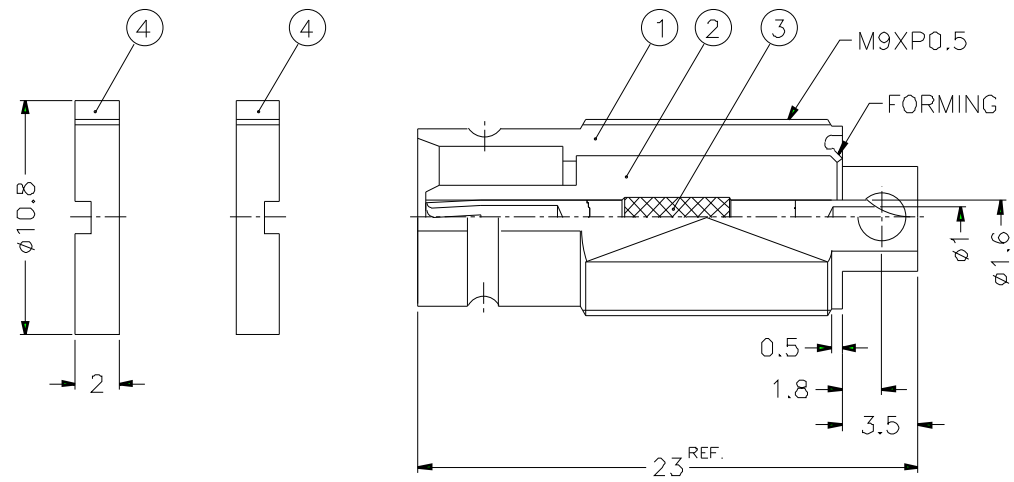
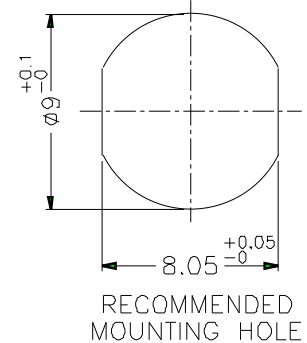


		1		2		3		4		5		6		7		8	
REVISIONS																	
ISS	ZONE	DESCRIPTION\PER REQUEST\DATE															



PANEL THICKNESS: 4.5^{MAX.}
 -CONNECTOR ACCORDING TO NF C 93-570, DIN 47-295, CEI 169-13
 -PACKAGING IN BAG WITH COMMERCIAL PART NUMBER AND DATE CODE

DIMENSIONS ARE IN MILLIMETERS										PART NO. 156 343 11		<h1>Amphenol</h1> <p>TITLE 1.6/5.6 75Ω BULKHEAD MOUNT RECEPT. JACK</p> <p>DRAWING NO.</p> <p>ITEM NO.</p>																																																																					
<table border="1"> <tr> <td>4</td> <td>NUT</td> <td>BRASS</td> <td>NICKEL</td> <td>2</td> <td></td> <td></td> <td></td> <td></td> <td></td> <td></td> <td>APPROVED</td> <td>DATE</td> </tr> <tr> <td>3</td> <td>CONTACT PIN</td> <td>BECU</td> <td>GOLD</td> <td>1</td> <td></td> <td></td> <td></td> <td></td> <td></td> <td></td> <td>10-11-01'</td> </tr> <tr> <td>2</td> <td>INSULATOR</td> <td>TEFLON</td> <td>NATURAL</td> <td>1</td> <td></td> <td></td> <td></td> <td></td> <td></td> <td></td> <td>CHECKED</td> <td>DATE</td> </tr> <tr> <td>1</td> <td>BODY</td> <td>BRASS</td> <td>ALBALOY</td> <td>1</td> <td></td> <td></td> <td></td> <td></td> <td></td> <td></td> <td></td> <td>10-11-01'</td> </tr> <tr> <td>NO.</td> <td>DESCRIPTION</td> <td>MATERIAL</td> <td>FINISH</td> <td>Q'TY</td> <td>DRAWING NO.</td> <td>SCALE</td> <td>3/1</td> <td>ISSUE</td> <td>A</td> <td>FILE NO.</td> <td></td> <td></td> </tr> </table>										4	NUT							BRASS	NICKEL	2							APPROVED	DATE	3	CONTACT PIN	BECU	GOLD	1							10-11-01'	2	INSULATOR	TEFLON	NATURAL	1							CHECKED	DATE	1	BODY	BRASS	ALBALOY	1								10-11-01'	NO.	DESCRIPTION	MATERIAL	FINISH	Q'TY	DRAWING NO.	SCALE	3/1	ISSUE	A	FILE NO.			DATE	
										4	NUT							BRASS	NICKEL	2							APPROVED	DATE																																																					
										3	CONTACT PIN							BECU	GOLD	1							10-11-01'																																																						
2	INSULATOR	TEFLON	NATURAL	1							CHECKED	DATE																																																																					
1	BODY	BRASS	ALBALOY	1								10-11-01'																																																																					
NO.	DESCRIPTION	MATERIAL	FINISH	Q'TY	DRAWING NO.	SCALE	3/1	ISSUE	A	FILE NO.																																																																							
DATE																																																																																	
DATE																																																																																	

		1		2		3		4		5		6		7		8	
--	--	---	--	---	--	---	--	---	--	---	--	---	--	---	--	---	--