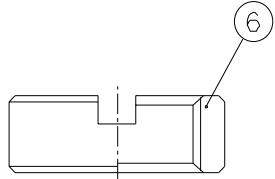
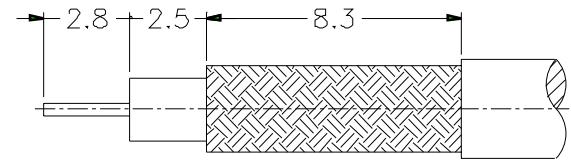
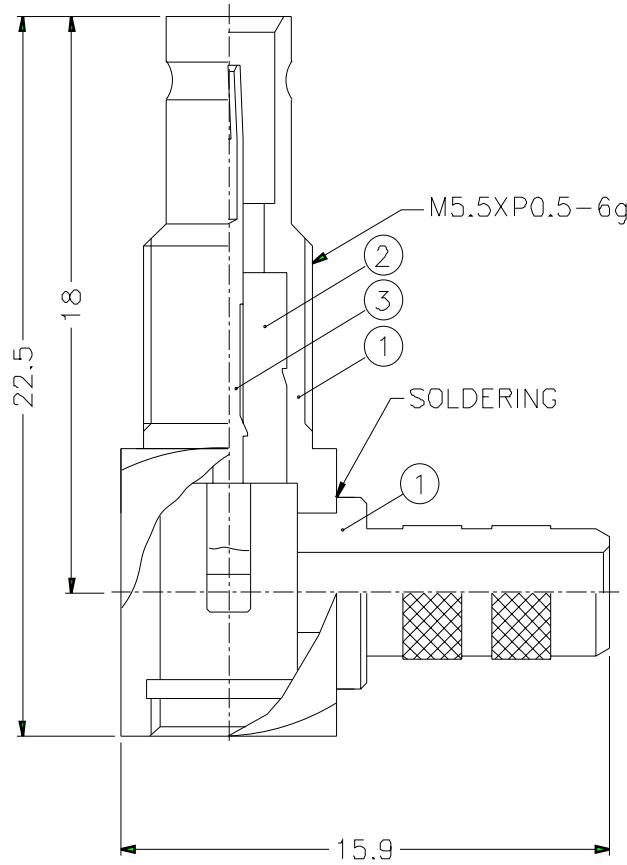


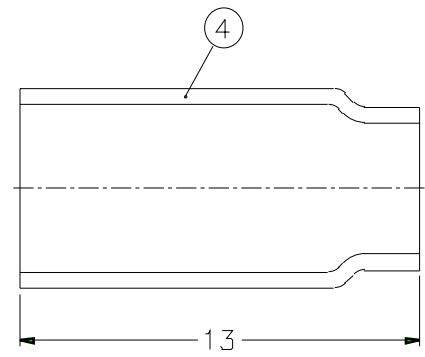
REVISIONS		
ISS	ZONE	DESCRIPTION\PER REQUEST\DATE



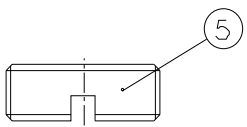
- CABLES: - NORTELL
 RA 750-304541
 - L910/39
 - TR-SP.125
 - L910/34
 - BT 3002
 - TR-SP.127
 - PT-R 0229/70
 - TZC 750 25



RECOMMENDED
CABLE STRIPPING DIM'S



- FERRULE CRIMPING TOOLS P/N
 227-944 (M22520/5-01)
 227-1221-19B (M22520/5-19B) HEX: 5.41 L= 10.16
 - INNER CONTACT TO SOLDER



NO.	DESCRIPTION	MATERIAL	FINISH	Q'TY	DRAWING NO.	SCALE	4/1	ISSUE	A1	FILE NO.	
6	NUT	BRASS	NICKEL	1	123-JACK-SN	DIMENSIONS ARE IN MILLIMETERS UNLESS OTHERWISE SPECIFIED TOLERANCES 0.5-6 = ±0.2 6-30 = ±0.4 30-120 = ±0.6 120-315 = ±1 315-1000 = ±1.6 1000-2000 = ±2.4					
5	COVER	BRASS	NICKEL	1	DMT-2004-004N -B						
4	FERRULE	COPPER	NICKEL	1	2A-167-34						
3	CONTACT PIN	BEUC	GOLD	1	1236412A2-3-75						
2	INSULATOR	PTFE	NATURAL	1	1236412A2-2T-75						
1	HOUSING WITH BARREL	BRASS	GOLD	1	MB10AAB02A						
PART NO. 1236412A1-E16A						APPROVED		DATE		04-10-02'	
UNLESS OTHERWISE SPECIFIED TOLERANCES						CHECKED		DATE		04-10-02'	
DRAWN						JOYCE		DATE		04-10-02'	
FILE NO. F:\ND\10\6412\ERA\32\7F\MN-A1											

Amphenol RF

TITLE 1.0/2.3 R/A CRIMP JACK

DRAWING NO. 106412ERA32MN7F

ITEM NO. 106412ERA32MN7F

F
E
D
C
B
A

F
E
D
C
B
A

1 2 3 4 5 6 7 8