



# ICS8520

## LOW SKEW, 1-TO-16 DIFFERENTIAL-TO-LVHSTL FANOUT BUFFER

### GENERAL DESCRIPTION

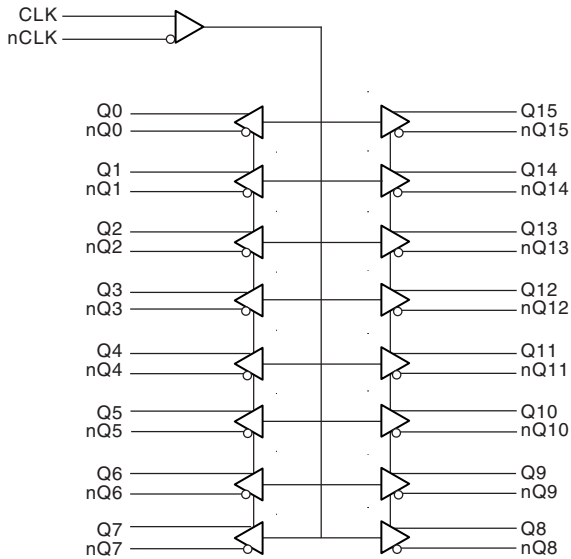
The ICS8520 is a low skew, high performance 1-to-16 Differential-to-LVHSTL Fanout Buffer. The ICS8520 has 1 clock input pair. The CLK, nCLK pair can accept most standard differential input levels.

Guaranteed output skew, part-to-part skew and crossover voltage characteristics make the ICS8520 ideal for interfacing to today's most advanced microprocessor and static RAMs.

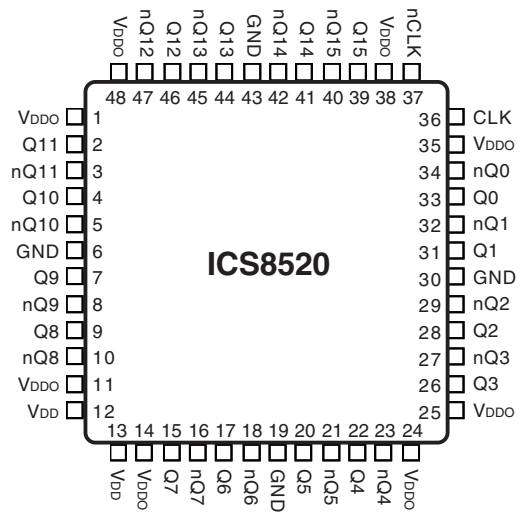
### FEATURES

- Sixteen differential LVHSTL compatible outputs each with the ability to drive 50Ω to ground
- One differential CLK, nCLK input pair
- CLK, nCLK pair can accept the following differential input levels: LVDS, LVPECL, LVHSTL, SSTL, HCSL
- Maximum output frequency: 500MHz
- Translates single ended input levels to LVHSTL levels with resistor bias nCLK input
- Output skew: 110ps (maximum)
- Part-to-part skew: 450ps (maximum)
- Propagation delay: 1.6ns (maximum)
- $V_{OH}$ : 1.3V (maximum)
- 40% of  $V_{OH} \leq V_{crossover} \leq 60\%$  of  $V_{OH}$
- 3.3V core, 1.8V output operating supply voltages
- 0°C to 70°C ambient operating temperature
- Available in both standard and lead-free RoHS-compliant packages

### BLOCK DIAGRAM



### PIN ASSIGNMENT



**48-Lead LQFP**  
7mm x 7mm x 1.4mm body package  
**Y Package**  
Top View



**TABLE 1. PIN DESCRIPTIONS**

Number	Name	Type		Description
1, 11, 14, 24, 25, 35, 38, 48	V <sub>DDO</sub>	Power		Output supply pins.
2, 3	Q11, nQ11	Output		Differential output pair. LVHSTL interface levels.
4, 5	Q10, nQ10	Output		Differential output pair. LVHSTL interface levels.
6, 19, 30, 43	GND	Power		Power supply ground.
7, 8	Q9, nQ9	Output		Differential output pair. LVHSTL interface levels.
9, 10	Q8, nQ8	Output		Differential output pair. LVHSTL interface levels.
12, 13	V <sub>DD</sub>	Power		Power supply pins.
15, 16	Q7, nQ7	Output		Differential output pair. LVHSTL interface levels.
17, 18	Q6, nQ6	Output		Differential output pair. LVHSTL interface levels.
20, 21	Q5, nQ5	Output		Differential output pair. LVHSTL interface levels.
22, 23	Q4, nQ4	Output		Differential output pair. LVHSTL interface levels.
26, 27	Q3, nQ3	Output		Differential output pair. LVHSTL interface levels.
28, 29	Q2, nQ2	Output		Differential output pair. LVHSTL interface levels.
31, 32	Q1, nQ1	Output		Differential output pair. LVHSTL interface level
33, 34	Q0, nQ0	Output		Differential output pair. LVHSTL interface level
36	CLK	Input	Pulldown	Non inverting differential clock input.
37	nCLK	Input	Pullup	Inverting differential clock input.
39, 40	Q15, nQ15	Output		Differential output pair. LVHSTL interface levels.
41, 42	Q14, nQ14	Output		Differential output pair. LVHSTL interface levels.
44, 45	Q13, nQ13	Output		Differential output pair. LVHSTL interface levels.
46, 47	Q12, nQ12	Output		Differential output pair. LVHSTL interface levels.

NOTE: *Pullup* and *Pulldown* refer to internal input resistors. See Table 2, Pin Characteristics, for typical values.

**TABLE 2. PIN CHARACTERISTICS**

Symbol	Parameter	Test Conditions	Minimum	Typical	Maximum	Units
C <sub>IN</sub>	Input Capacitance			4		pF
R <sub>PULLUP</sub>	Input Pullup Resistor			51		kΩ
R <sub>PULLDOWN</sub>	Input Pulldown Resistor			51		kΩ

**TABLE 3. FUNCTION TABLE**

Inputs		Outputs		Input to Output Mode	Polarity
CLK	nCLK	Q0:Q15	nQ0:nQ15		
0	1	LOW	HIGH	Differential to Differential	Non Inverting
1	0	HIGH	LOW	Differential to Differential	Non Inverting
0	Biased; NOTE 1	LOW	HIGH	Single Ended to Differential	Non Inverting
1	Biased; NOTE 1	HIGH	LOW	Single Ended to Differential	Non Inverting
Biased; NOTE 1	0	HIGH	LOW	Single Ended to Differential	Inverting
Biased; NOTE 1	1	LOW	HIGH	Single Ended to Differential	Inverting

NOTE 1: Please refer to the Application Information Section, "Wiring the Differential input to accept single ended levels".



# ICS8520

## LOW SKEW, 1-TO-16 DIFFERENTIAL-TO-LVHSTL FANOUT BUFFER

### ABSOLUTE MAXIMUM RATINGS

Supply Voltage, $V_{DD}$	4.6V
Inputs, $V_i$	-0.5V to $V_{DD} + 0.5V$
Outputs, $V_o$	-0.5V to $V_{DDO} + 0.5V$
Package Thermal Impedance, $\theta_{JA}$	47.9°C/W (0 lfm)
Storage Temperature, $T_{STG}$	-65°C to 150°C

NOTE: Stresses beyond those listed under Absolute Maximum Ratings may cause permanent damage to the device. These ratings are stress specifications only. Functional operation of product at these conditions or any conditions beyond those listed in the *DC Characteristics* or *AC Characteristics* is not implied. Exposure to absolute maximum rating conditions for extended periods may affect product reliability.

**TABLE 4A. POWER SUPPLY DC CHARACTERISTICS,  $V_{DD} = 3.3V \pm 5\%$ ,  $V_{DDO} = 1.8V \pm 0.2V$ ,  $T_A = 0^\circ C$  TO  $70^\circ C$**

Symbol	Parameter	Test Conditions	Minimum	Typical	Maximum	Units
$V_{DD}$	Positive Supply Voltage		3.135	3.3	3.465	V
$V_{DDO}$	Output Supply Voltage		1.6	1.8	2.0	V
$I_{DD}$	Power Supply Current				190	mA
$I_{DDO}$	Output Supply Current				10	mA

**TABLE 4B. DIFFERENTIAL DC CHARACTERISTICS,  $V_{DD} = 3.3V \pm 5\%$ ,  $V_{DDO} = 1.8V \pm 0.2V$ ,  $T_A = 0^\circ C$  TO  $70^\circ C$**

Symbol	Parameter	Test Conditions	Minimum	Typical	Maximum	Units
$I_{IH}$	Input High Current	CLK	$V_{IN} = V_{DD} = 3.465V$		150	$\mu A$
		nCLK	$V_{IN} = V_{DD} = 3.465V$		1	$\mu A$
$I_{IL}$	Input Low Current	CLK	$V_{IN} = 0V, V_{DD} = 3.465V$	-1		$\mu A$
		nCLK	$V_{IN} = 0V, V_{DD} = 3.465V$	-150		$\mu A$
$V_{PP}$	Peak-to-Peak Input Voltage		0.15		1.3	V
$V_{CMR}$	Common Mode Voltage Range; NOTE 1, 2		GND + 0.5		$V_{DD} - 0.85$	V

NOTE 1: Common mode voltage is defined as  $V_{IH}$ .

NOTE 2: For single ended applications, the maximum input voltage for CLK, nCLK is  $V_{DD} + 0.3V$ .

**TABLE 4C. LVHSTL DC CHARACTERISTICS,  $V_{DD} = 3.3V \pm 5\%$ ,  $V_{DDO} = 1.8V \pm 0.2V$ ,  $T_A = 0^\circ C$  TO  $70^\circ C$**

Symbol	Parameter	Test Conditions	Minimum	Typical	Maximum	Units
$V_{OH}$	Output High Voltage; NOTE 1		0.9		1.3	V
$V_{OL}$	Output Low Voltage; NOTE 1		0		0.4	V
$V_{OX}$	Output Crossover Voltage		$40\% \times (V_{OH} - V_{OL}) + V_{OL}$		$60\% \times (V_{OH} - V_{OL}) + V_{OL}$	V

NOTE 1: Outputs terminated with 50Ω to ground.



# ICS8520

## LOW SKEW, 1-TO-16 DIFFERENTIAL-TO-LVHSTL FANOUT BUFFER

TABLE 5. AC CHARACTERISTICS,  $V_{DD} = 3.3V \pm 5\%$ ,  $V_{DDO} = 1.8V \pm 0.2V$ ,  $T_A = 0^\circ C$  TO  $70^\circ C$

Symbol	Parameter	Test Conditions	Minimum	Typical	Maximum	Units
$f_{MAX}$	Output Frequency				500	MHz
$t_{PD}$	Propagation Delay, Low-to-High; NOTE 1		1.1	1.3	1.6	ns
$t_{sk(o)}$	Output Skew; NOTE 2, 4				110	ps
$t_{sk(pp)}$	Part-to-Part Skew; NOTE 3, 4	$f \leq 400MHz$			450	ps
$t_R/t_F$	Output Rise/Fall Time	$f \leq 300MHz$	200		900	ps
		$f > 300MHz$	200		600	ps
odc	Output Duty Cycle	$f \leq 133MHz$	48		52	%
		$133MHz < f \leq 300MHz$	46		54	%
		$f > 300MHz$	42		58	%

NOTE 1: Measured from the differential input crossing point to the differential output crossing point.

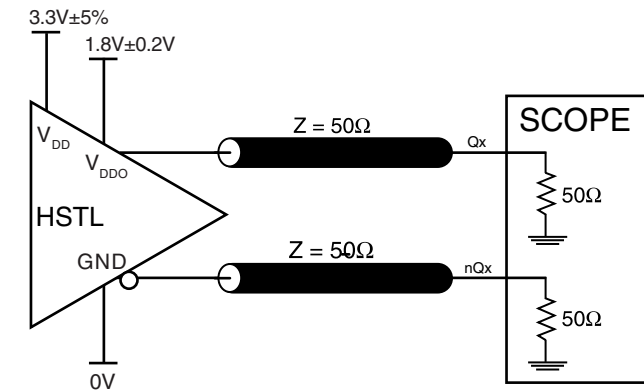
NOTE 2: Defined as skew between outputs at the same supply voltage and with equal load conditions.

Measured at the output differential cross points.

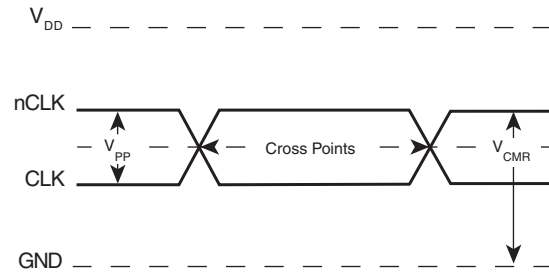
NOTE 3: Defined as skew between outputs on different devices operating at the same supply voltages and with equal load conditions. Using the same type of inputs on each device, the outputs are measured at the differential cross points.

NOTE 4: This parameter is defined in accordance with JEDEC Standard 65.

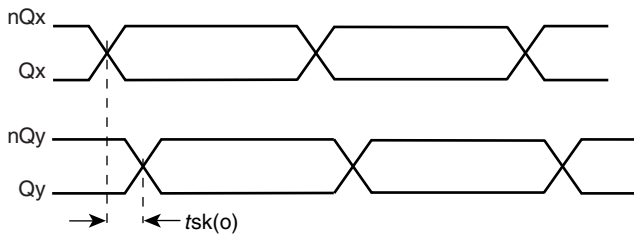
## PARAMETER MEASUREMENT INFORMATION



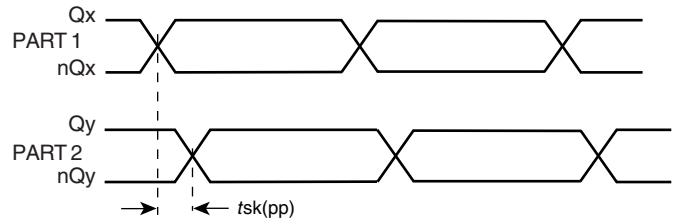
**3.3V/1.8V OUTPUT LOAD AC TEST CIRCUIT**



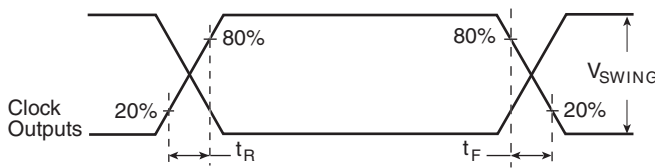
**DIFFERENTIAL INPUT LEVEL**



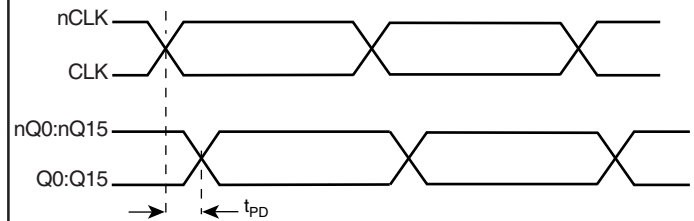
**OUTPUT SKEW**



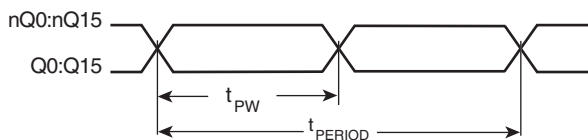
**PART-TO-PART SKEW**



**OUTPUT RISE/FALL TIME**



**PROPAGATION DELAY**



$$odc = \frac{t_{PW}}{t_{PERIOD}} \times 100\%$$

**OUTPUT DUTY CYCLE/PULSE WIDTH/PERIOD**



## APPLICATION INFORMATION

### RECOMMENDATIONS FOR UNUSED OUTPUT PINS

#### OUTPUTS:

##### LVHSTL OUTPUT

All unused LVHSTL outputs can be left floating. We recommend that there is no trace attached. Both sides of the differential output pair should either be left floating or terminated.



## POWER CONSIDERATIONS

This section provides information on power dissipation and junction temperature for the ICS8520. Equations and example calculations are also provided.

### 1. Power Dissipation.

The total power dissipation for the ICS8520 is the sum of the core power plus the power dissipated in the load(s). The following is the power dissipation for  $V_{DD} = 3.3V + 5\% = 3.465V$ , which gives worst case results.

**NOTE:** Please refer to Section 3 for details on calculating power dissipated in the load.

- Power (core)<sub>MAX</sub> =  $V_{DD\_MAX} * I_{DD\_MAX} = 3.465V * 190mA = \mathbf{658.4mW}$
- Power (outputs)<sub>MAX</sub> = **32.6mW/Loaded Output pair**  
 If all outputs are loaded, the total power is  $16 * 32.6mW = \mathbf{521.6mW}$

**Total Power**<sub>MAX</sub> (3.465V, with all outputs switching) =  $658.4mW + 521.6mW = \mathbf{1180mW}$

### 2. Junction Temperature.

Junction temperature, T<sub>j</sub>, is the temperature at the junction of the bond wire and bond pad and directly affects the reliability of the device. The maximum recommended junction temperature for the devices is 125°C.

The equation for T<sub>j</sub> is as follows:  $T_j = \theta_{JA} * Pd\_total + T_A$

T<sub>j</sub> = Junction Temperature

$\theta_{JA}$  = Junction-to-Ambient Thermal Resistance

Pd<sub>total</sub> = Total Device Power Dissipation (example calculation is in section 1 above)

T<sub>A</sub> = Ambient Temperature

In order to calculate junction temperature, the appropriate junction-to-ambient thermal resistance  $\theta_{JA}$  must be used. Assuming a moderate air flow of 200 linear feet per minute and a multi-layer board, the appropriate value is 42.1°C/W per Table 6 below.

Therefore, T<sub>j</sub> for an ambient temperature of 70°C with all outputs switching is:

$70^\circ C + 1.18W * 42.1^\circ C/W = 119.7^\circ C$ . This is below the limit of 125°C

This calculation is only an example. T<sub>j</sub> will obviously vary depending on the number of loaded outputs, supply voltage, air flow, and the type of board (single layer or multi-layer).

**TABLE 6. THERMAL RESISTANCE  $\theta_{JA}$  FOR 48-PIN LQFP, FORCED CONVECTION**

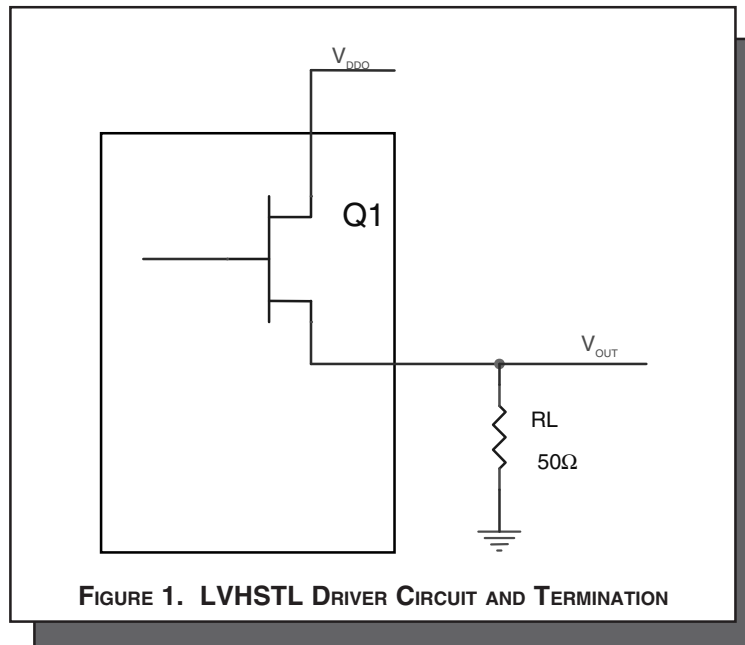
<b><math>\theta_{JA}</math> by Velocity (Linear Feet per Minute)</b>			
	<b>0</b>	<b>200</b>	<b>500</b>
Single-Layer PCB, JEDEC Standard Test Boards	67.8°C/W	55.9°C/W	50.1°C/W
Multi-Layer PCB, JEDEC Standard Test Boards	47.9°C/W	42.1°C/W	39.4°C/W

**NOTE:** Most modern PCB designs use multi-layered boards. The data in the second row pertains to most designs.

### 3. Calculations and Equations.

The purpose of this section is to derive the power dissipated into the load.

LVHSTL output driver circuit and termination are shown in *Figure 1*.



To calculate worst case power dissipation into the load, use the following equations which assume a 50Ω load.

Pd\_H is power dissipation when the output drives high.

Pd\_L is the power dissipation when the output drives low.

$$Pd_H = (V_{OH\_MIN} / R_L) * (V_{DDO\_MAX} - V_{OH\_MIN})$$

$$Pd_L = (V_{OL\_MAX} / R_L) * (V_{DDO\_MAX} - V_{OL\_MAX})$$

$$Pd_H = (0.9V/50\Omega) * (2V - 0.9V) = \mathbf{19.8mW}$$

$$Pd_L = (0.4V/50\Omega) * (2V - 0.4V) = \mathbf{12.8mW}$$

$$\text{Total Power Dissipation per output pair} = Pd_H + Pd_L = \mathbf{32.6mW}$$





## RELIABILITY INFORMATION

TABLE 7.  $\theta_{JA}$  vs. AIR FLOW TABLE FOR 48 LEAD LQFP

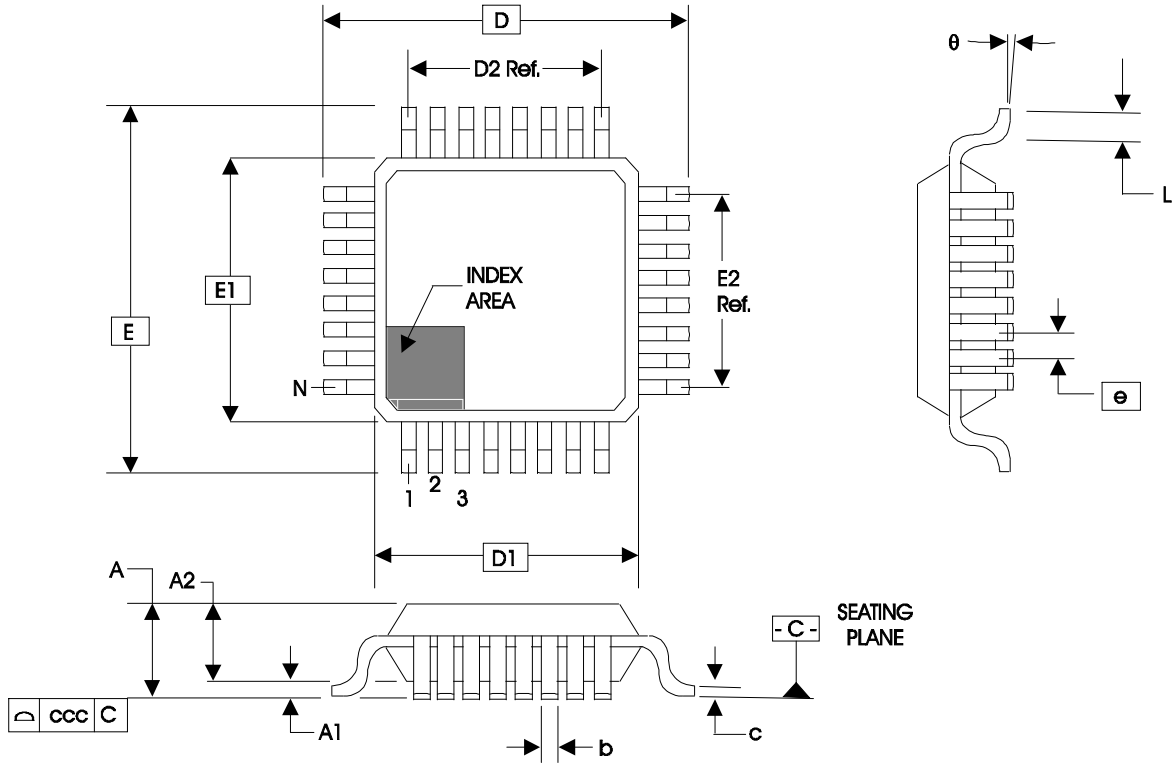
$\theta_{JA}$ by Velocity (Linear Feet per Minute)			
	0	200	500
Single-Layer PCB, JEDEC Standard Test Boards	67.8°C/W	55.9°C/W	50.1°C/W
Multi-Layer PCB, JEDEC Standard Test Boards	47.9°C/W	42.1°C/W	39.4°C/W

**NOTE:** Most modern PCB designs use multi-layered boards. The data in the second row pertains to most designs.

### TRANSISTOR COUNT

The transistor count for ICS8520 is: 1563

**PACKAGE OUTLINE - Y SUFFIX FOR 48 LEAD LQFP**



**TABLE 8. PACKAGE DIMENSIONS**

JEDEC VARIATION ALL DIMENSIONS IN MILLIMETERS			
SYMBOL	BBC		
	MINIMUM	NOMINAL	MAXIMUM
N	48		
A	--	--	1.60
A1	0.05	--	0.15
A2	1.35	1.40	1.45
b	0.17	0.22	0.27
c	0.09	--	0.20
D	9.00 BASIC		
D1	7.00 BASIC		
D2	5.50 Ref.		
E	9.00 BASIC		
E1	7.00 BASIC		
E2	5.50 Ref.		
e	0.50 BASIC		
L	0.45	0.60	0.75
theta	0°	--	7°
ccc	--	--	0.08

Reference Document: JEDEC Publication 95, MS-026



**ICS8520**  
LOW SKEW, 1-TO-16  
DIFFERENTIAL-TO-LVHSTL FANOUT BUFFER

**TABLE 9. ORDERING INFORMATION**

Part/Order Number	Marking	Package	Shipping Packaging	Temperature
8520DY	ICS8520DY	48 Lead LQFP	tray	0°C to 70°C
8520DYT	ICS8520DY	48 Lead LQFP	1000 tape & reel	0°C to 70°C
8520DYLF	ICS8520DYLF	48 Lead "Lead-Free" LQFP	tray	0°C to 70°C
8520DYLFT	ICS8520DYLF	48 Lead "Lead-Free" LQFP	1000 tape & reel	0°C to 70°C

NOTE: Parts that are ordered with an "LF" suffix to the part number are the Pb-Free configuration and are RoHS compliant.

While the information presented herein has been checked for both accuracy and reliability, Integrated Device Technology, Inc. (IDT) assumes no responsibility for either its use or for infringement of any patents or other rights of third parties, which would result from its use. No other circuits, patents, or licenses are implied. This product is intended for use in normal commercial and industrial applications. Any other applications such as those requiring high reliability, or other extraordinary environmental requirements are not recommended without additional processing by IDT. IDT reserves the right to change any circuitry or specifications without notice. IDT does not authorize or warrant any IDT product for use in life support devices or critical medical instruments.



REVISION HISTORY SHEET				
Rev	Table	Page	Description of Change	Date
B	T2 T4A	1	Features Section - added Lead-Free bullet.	12/14/05
		2	Pin Characteristics Table - changed $C_{IN}$ from 4pF max. to 4pF typical.	
		3	Power Supply DC Characteristics Table - corrected units of measure for $I_{DDO}$ from $\mu A$ to mA.	
	6	Added <i>Recommendations for Unused Output Pins</i> .		
	T9	11	Ordering Information Table - added Lead-Free part number, marking and note.	
C	T9	11	Updated datasheet's header/footer with IDT from ICS.	07/25/10
		13	Removed ICS prefix from Part/Order Number column. Added Contact Page.	



**ICS8520**  
LOW SKEW, 1-TO-16  
DIFFERENTIAL-TO-LVHSTL FANOUT BUFFER

---

**We've Got Your Timing Solution.**



6024 Silver Creek Valley Road  
San Jose, CA 95138

**Sales**  
800-345-7015 (inside USA)  
+408-284-8200 (outside USA)  
Fax: 408-284-2775

**Tech Support**  
netcom@idt.com

© 2010 Integrated Device Technology, Inc. All rights reserved. Product specifications subject to change without notice. IDT, the IDT logo, ICS and HiPerClockS are trademarks of Integrated Device Technology, Inc. Accelerated Thinking is a service mark of Integrated Device Technology, Inc. All other brands, product names and marks are or may be trademarks or registered trademarks used to identify products or services of their respective owners.  
Printed in USA