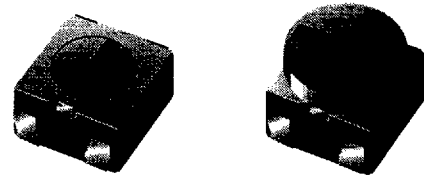


3mm Square SMT Trimmer Potentiometers (Cermet, Sealed Type)

Type: **EVM7**



■ Features

- Higher performance dustproof type
- Excellent reliability for heat and humidity
- Stable rotation torque for adjustment

■ Recommended Applications

- Audio and visual equipment, home appliances

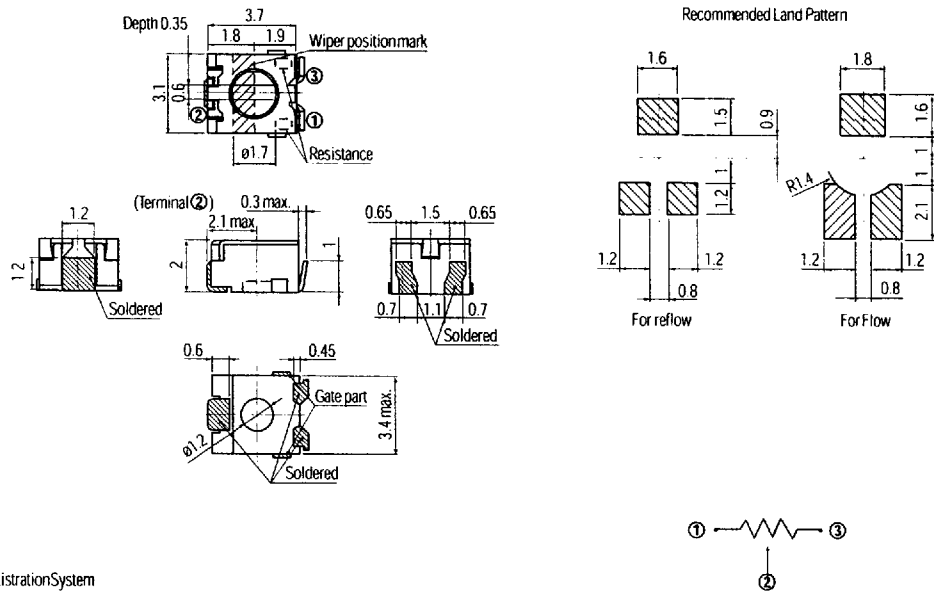
■ Major Specifications

Nominal total resistance	100Ω to 1MΩ	Max. operating voltage	15V
Resistance tolerance	± 25%	Sliding noise	5% max. of nominal total resistance
Power rating	0.05W	Rotation torque	1 to 15 mN · m (10 to 150 gf · cm)

■ Dimensions in mm (not to scale)

EVM7J: 3-terminal

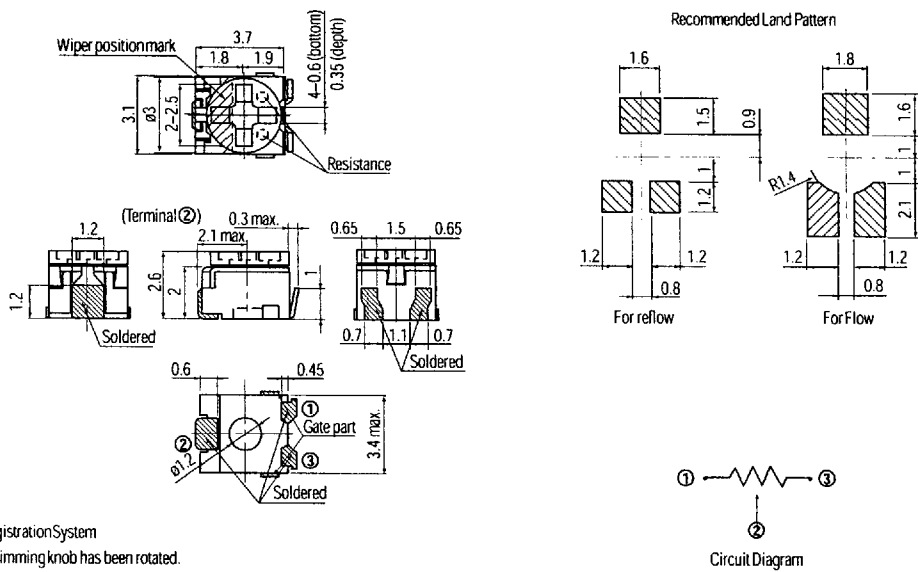
No. 1



Registered by EIAJ-SMD Outline Registration System

EVM7L: 3-terminal, for automatic trimming adjustment

No. 2



Registered by EIAJ-SMD Outline Registration System

Note: Mounting not possible after trimming knob has been rotated.