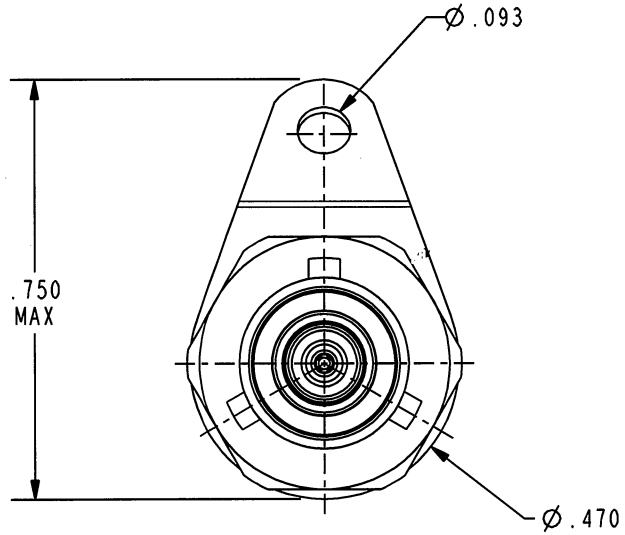


DASH NUMBER	DESCRIPTION
-010	BJ157
-020	BJ157FL

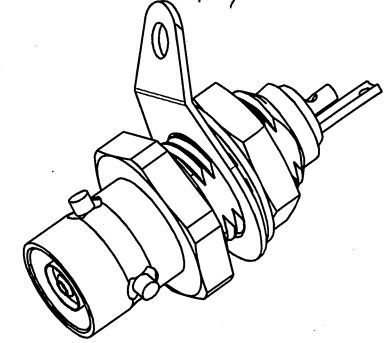
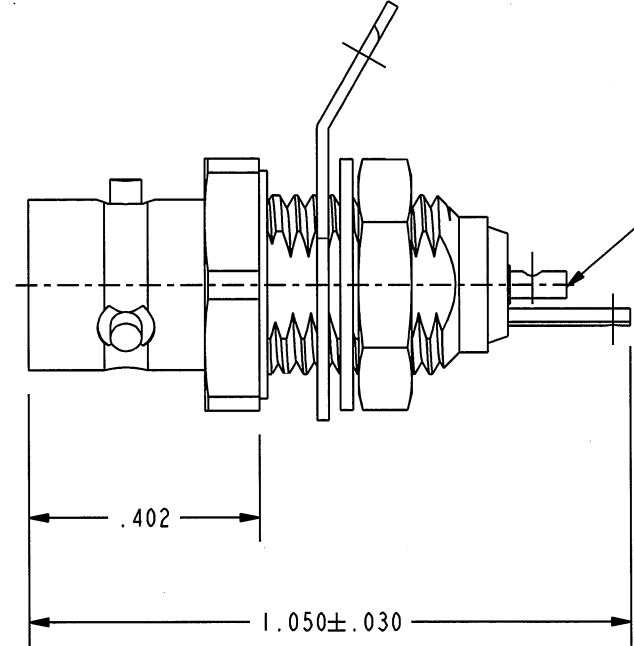
DATA CONTAINED IN THIS DOCUMENT IS PROPRIETARY TO TROMPETER ELECTRONICS INC. AND SHALL NOT BE DISCLOSED, COPIED OR USED FOR PROCUREMENT OR MANUFACTURE WITHOUT EXPRESS WRITTEN PERMISSION.

REVISIONS

REV	DESCRIPTIONS	DATE	APPROVED
C	REVISED PER ECO 16925	6/4/09	<i>[Signature]</i>



-010 SHOWN



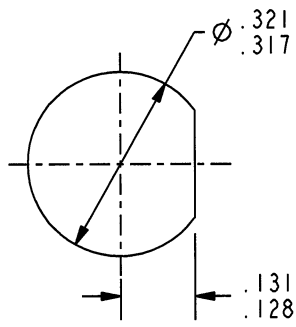
SCALE 2/1

4. SUBMINIATURE TRIAXIAL SOLDER POT BULKHEAD MOUNT 3-LUG OR 4-LUG WITH BeCu SHIELD, RECEPTACLE (TPS STYLE)

③ SOLDER POT ACCEPTS Ø.034 MAXIMUM CONDUCTOR

2. MAXIMUM PANEL THICKNESS: .187

1. FINISH: TFS-IU (NICKEL)



RECOMMENDED PANEL CUTOUT

INTERPRET DRAWING PER MIL-STD-100. DIMENSIONS ARE IN INCHES AND INCLUDE FINISH THICKNESS UNLESS OTHERWISE SPECIFIED.		TOL: UNLESS SPECIFIED. .XX ± .02 .XXX ± .010 ANGLE ± 1°			
DRN W JOHNSON CHK DM QUALITY MANUF APPROVED DM PROJ# FILE NO. 305-1281	5-8-09 5/28/09	MATERIAL: FINISH:	TITLE: BJ157 / BJ157FL SPECIAL		
NEXT ASSY	DO NOT SCALE DWG	SIZE A SCALE 3/1	CAGE CODE 14949 DATE 9-3-98	DRAWING NO. 305-1281 SHEET IC	REV. C

NOTES: UNLESS OTHERWISE SPECIFIED.