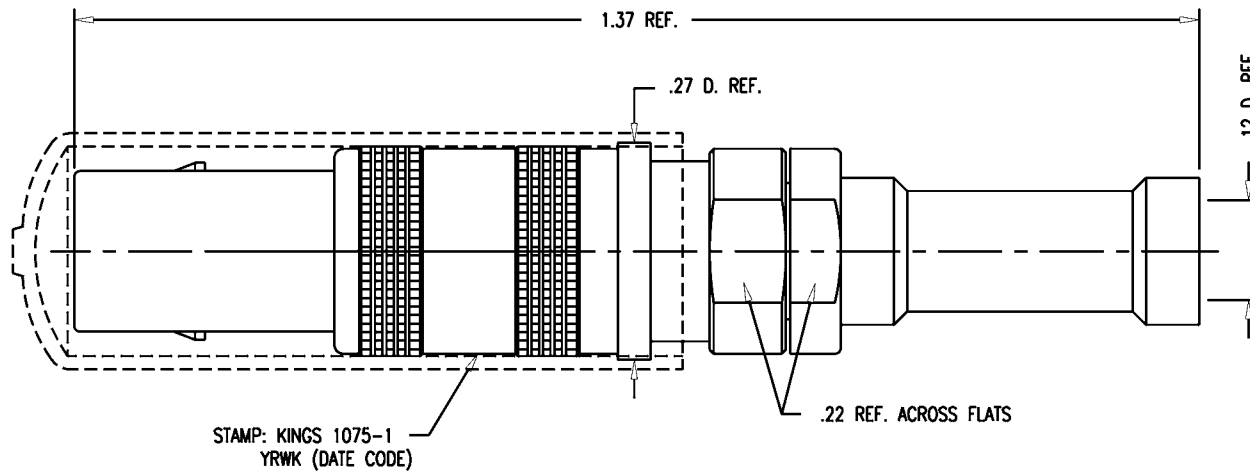


DASH NO.	M CODE	MADE FROM
----------	--------	-----------

# GSD

1075-1

REVISIONS	
ISSUE	CHANGES
8	CN 32931 E REDRAWN 04/01/91
9	CN 38934 B TML 10/13/03



**NOTES:**

- FOR USE WITH M17/119-RG174, M17/094-RG179 & M17/113-RG316 CABLE.
- FOR CABLING INSTRUCTIONS SEE CP-459.
- FOR CRIMPING USE DIE KTH-2082.
- FOR CABLE TRIMMING USE KTD-154 & KTJ-106.
- CONTACT MAY BE CRIMPED ON M17/119-RG174 & M17/113-RG316 CABLES, BUT MUST BE SOLDERED ON BALANCE OF CABLE GROUP.
- MATERIALS:
  - INSULATORS: TEFLON, ASTM-D-1457
  - K-GRIP SLEEVE: COM. BRONZE, ALLOY 220
  - K-LOC BODY: BER. COPPER, ASTM-B-196
  - ALL OTHER METAL PARTS: BRASS, QQ-B-626
- FINISHES:
  - CENTER CONTACT: HARD GOLD PALTE, PER MIL-G-45204
  - ALL OTHER METAL PARTS: KINGS TARNISH RESISTANT FINISH (TR-5)
- ELECTRICAL CHARACTERISTICS:
  - NOMINAL IMPEDANCE: 50 OHMS
  - WORKING VOLTAGE: 500 VRMS

SCALE	6:1		
APPROX SURFACE AREA			
USED ON			
REF:			
<b>PLUG, K-LOC</b>			
DRAWN	WJM	DATE	04/01/91
DESIGN	MJB	DATE	04/22/91
APPR.		DATE	

**KINGS**  
ELECTRONICS CO., INC.  
ROCK HILL, SOUTH CAROLINA 29730

# GSD

1075-1