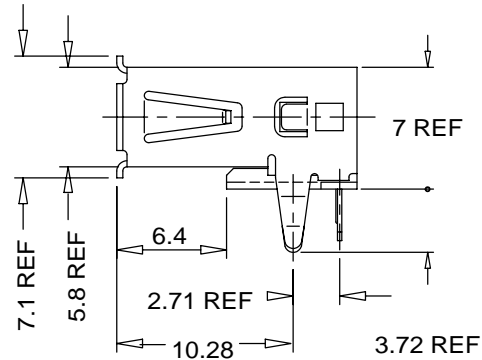
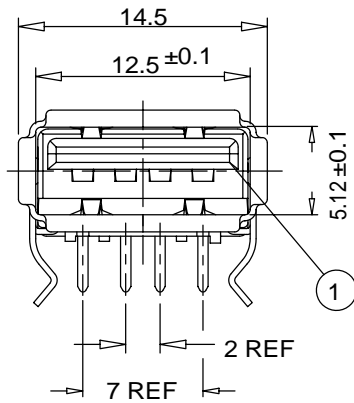
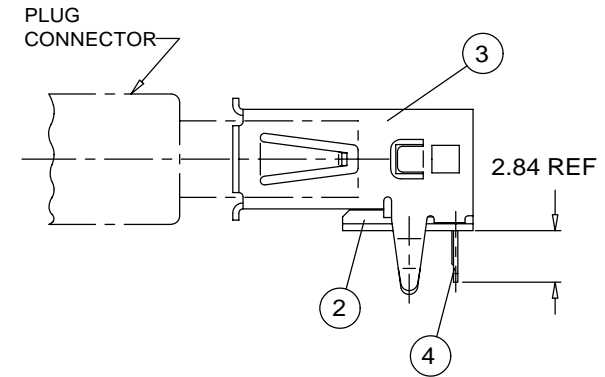
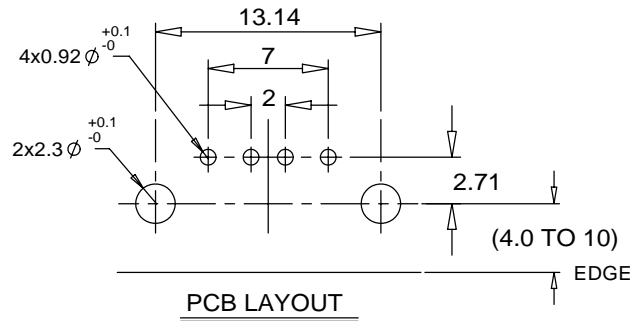
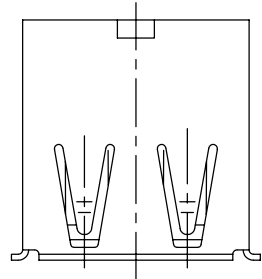
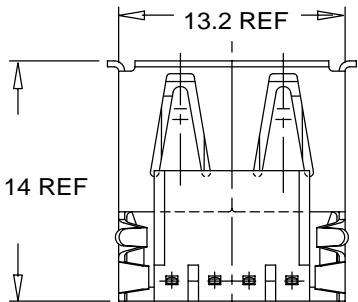


THE INFORMATION CONTAINED IN THIS DRAWING IS THE SOLE PROPERTY OF YAMAICHI ELECTRONICS DEUTSCHLAND GmbH. ANY REPRODUCTION IN PART OR WHOLE WITHOUT THE WRITTEN PERMISSION OF YAMAICHI ELECTRONICS DEUTSCHLAND GmbH IS PROHIBITED.

CONFIDENTIAL



4	CONTACT TERMINAL	4	PHOSPHOR BRONZE 0.25t GOLD PLATING OVER PALLADIUM NICKEL PLATING IN MATING AREA. TIN ALLOY PLATING ON SOLDER TAILS, ALL OVER NICKEL PLATING.
3	SHELL	1	BRASS 0.35t TIN ALLOY PLATING
2	COVER	1	PBT UL94V-0 BLACK COLOR
1	BODY	1	PBT UL94V-0 BLACK COLOR
LTR	PART NAME	QTY	MATERIAL & SPEC



TOLERANCE
unless otherwise specified:

Up to 6: ±0.1mm
Btwn. 6 and 30: ±0.15mm
Over 30: ±0.25mm
Radius: 0.2mm Max.
Angle: ±2°

RoHS conform acc. to directive 2002/95/EG

Order / Article No. 24-00349

UNLESS OTHERWISE SPECIFIED: DIMENSIONS ARE IN MILLIMETERS	REV.	REVISION DESCRIPTION	INITIALS	REV. DATE		
	△					
NOTES: Solder Temperature : 220°C min./60 sec., 250°C peak	△					
	△					
	△	RoHs conform / Solder temp.	HE	30.01.2006		
ANGLE PROJECTION:	Third		DO NOT SCALE DRAWING			CLASSIFICATION: USB Series A Receptacle- angled, PCB type
WEIGHT:			DESIGN	HE	31.05.2005	TITLE: USB-A-001
			DRAWN	HE	30.01.2006	DWG NO.: P(028)A04
			CHECKED	HE	30.01.2006	REVISION: A
			Q.A.	WM	30.01.2006	SCALE: -
			APPROVED	MQ	30.01.2006	SHEET1 OF 1
						A4q- ASSEMBLY