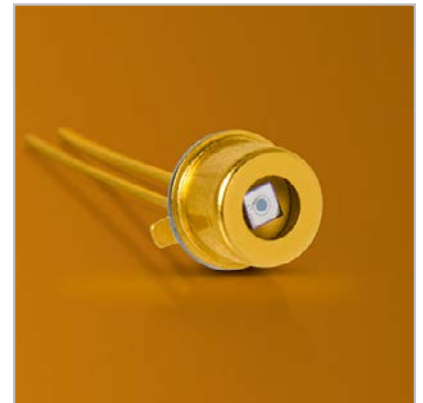


InGaAs Avalanche Photodiode IAG-Series

Description

The IAG-series avalanche photodiode is the largest commercially available InGaAs APD with high responsivity and extremely fast rise and fall times throughout the 1000 to 1630 nm wavelength range. The peak responsivity at 1550 nm is ideally suited to eye-safe rangefinding applications, free space optical communications, OTDR and high resolution Optical Coherence Tomography.

The chip is hermetically sealed in a modified TO-46 package or mounted on a ceramic submount.



Features

- 80, 200 or 350 μm active area
- Bandwidth up to 2.5 GHz
- Over 70% QE from 1000 to 1600 nm
- Low dark current & noise
- Modified TO-46 or ceramic submount
- Fiber-coupled versions available

Applications

- Rangefinding
- Optical communication systems
- Optical coherence Tomography
- Low-light-level detection



Generic Characteristics at T= 21 °C

	IAG-Series			
	Min	Typ	Max	Units
Wavelength range	1000		1630	nm
Peak sensitivity		1550		nm

Absolute Maximum Ratings

	IAG 080X / IAG 200X				IAG 350X			
	Min	Typ	Max	Units	Min	Typ	Max	Units
Storage temperature	-60		125	°C	-60		125	°C
Operating temperature*	-40		85	°C	-40		85	°C
Max. reverse current			1	mA			1	mA
Max. forward current	0		10	mA	0		10	mA
Optical input (10 ns pulse)			200	kW/cm ²			200	kW/cm ²
Optical input (average)			0	dBm			2	dBm
Soldering (for 15 sec.)			260	°C			260	°C

*Extended operating temperature range possible for special design considerations

Electrical Characteristics ($T_c = 25\text{ °C}$, $\lambda = 1550\text{ nm}$)

Parameter	IAG 080X			IAG 200X			IAG 350X			Units
	Min	Typ	Max	Min	Typ	Max	Min	Typ	Max	
Active diameter	78	80	82	200	205	210	350	352	355	µm
Responsivity @ $M = 1$ 1550 nm wavelength	0.85	0.94	1.05	0.90	0.94	1.05	0.90	0.94	1.05	A/W
Dark current @ $M = 10$	-	3	15	-	25	50	-	50	250	nA
Operating voltage, V_r @ $M = 10$	-	60	70	-	55	65	30	45	60	Volt
Breakdown voltage, V_{br} ($I_d = 10\text{ µA}$)	45	66	75	45	60	75	35	55	70	Volt
Capacitance	0.32	0.35	0.40	-	1.7	2.1	-	4.1	4.6	pF
Temperature coeff. of V_{br}	-	0.075	-	-	0.075	-	-	0.075	-	V/°C
Bandwidth @ $M = 5$	2.0	2.5	3.0	0.5	1.0	1.5	-	0.6	-	GHz
Bandwidth @ $M = 10$	2.0	2.5	3.0	0.5	1.0	1.5	-	0.6	-	GHz
Bandwidth @ $M = 20$	1.5	2.2	2.5	0.5	0.8	1.2	-	0.6	-	GHz
Excess noise factor, F @ $M = 10$	-	3.2	3.7	-	3.2	3.7	-	3.2	3.7	-
Excess noise factor, F @ $M = 20$	-	5.5	6.0	-	5.5	6.0	-	5.5	6.0	-
Noise equivalent power, NEP @ $M = 10$	-	0.04	0.07	-	0.07	0.2	-	0.12	-	pW/Hz ^{1/2}

Fig. 1: Spectral Response and Quantum Efficiency (M= 10 @ 1550 nm)

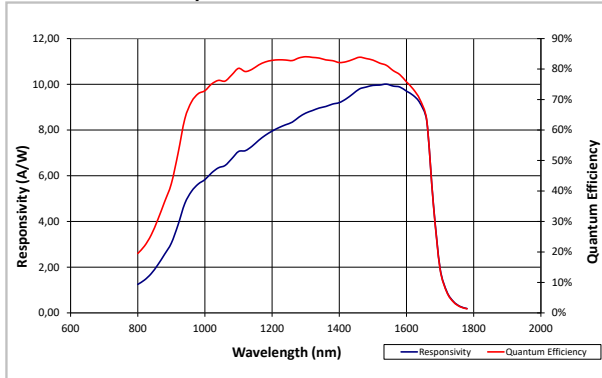


Fig. 2: Responsivity-Voltage Characteristics (25 degrees C)

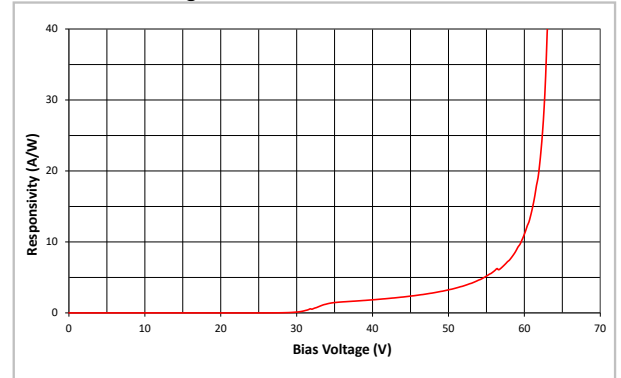


Fig. 3: Typical APD Noise Density as a Function of Gain

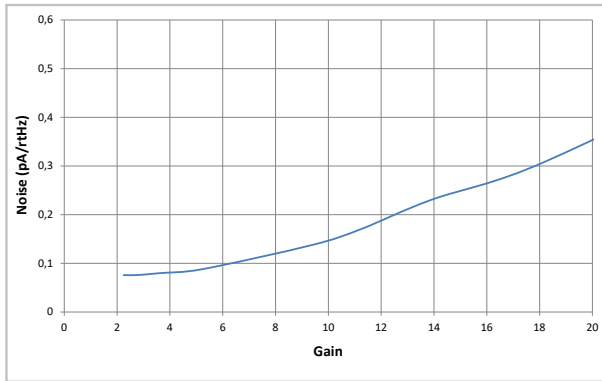


Fig. 4: Capacitance vs. Reverse Voltage

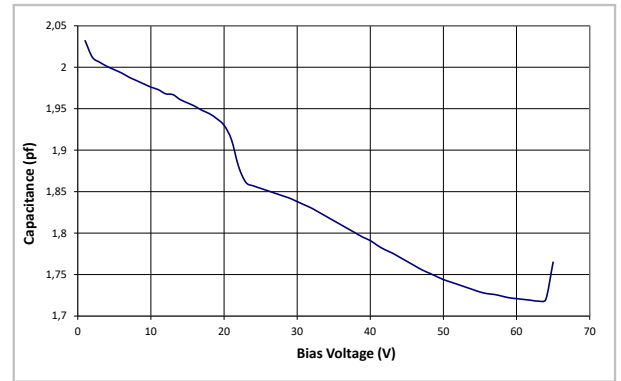
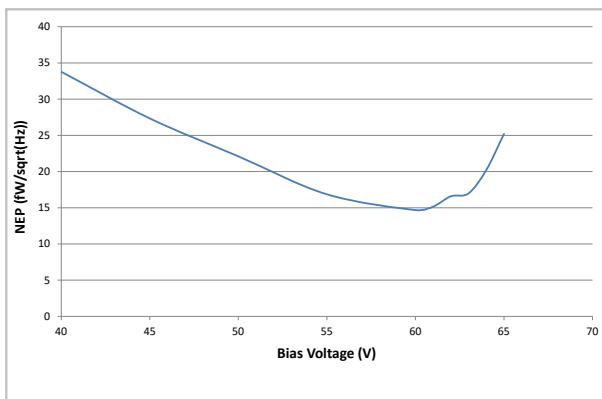
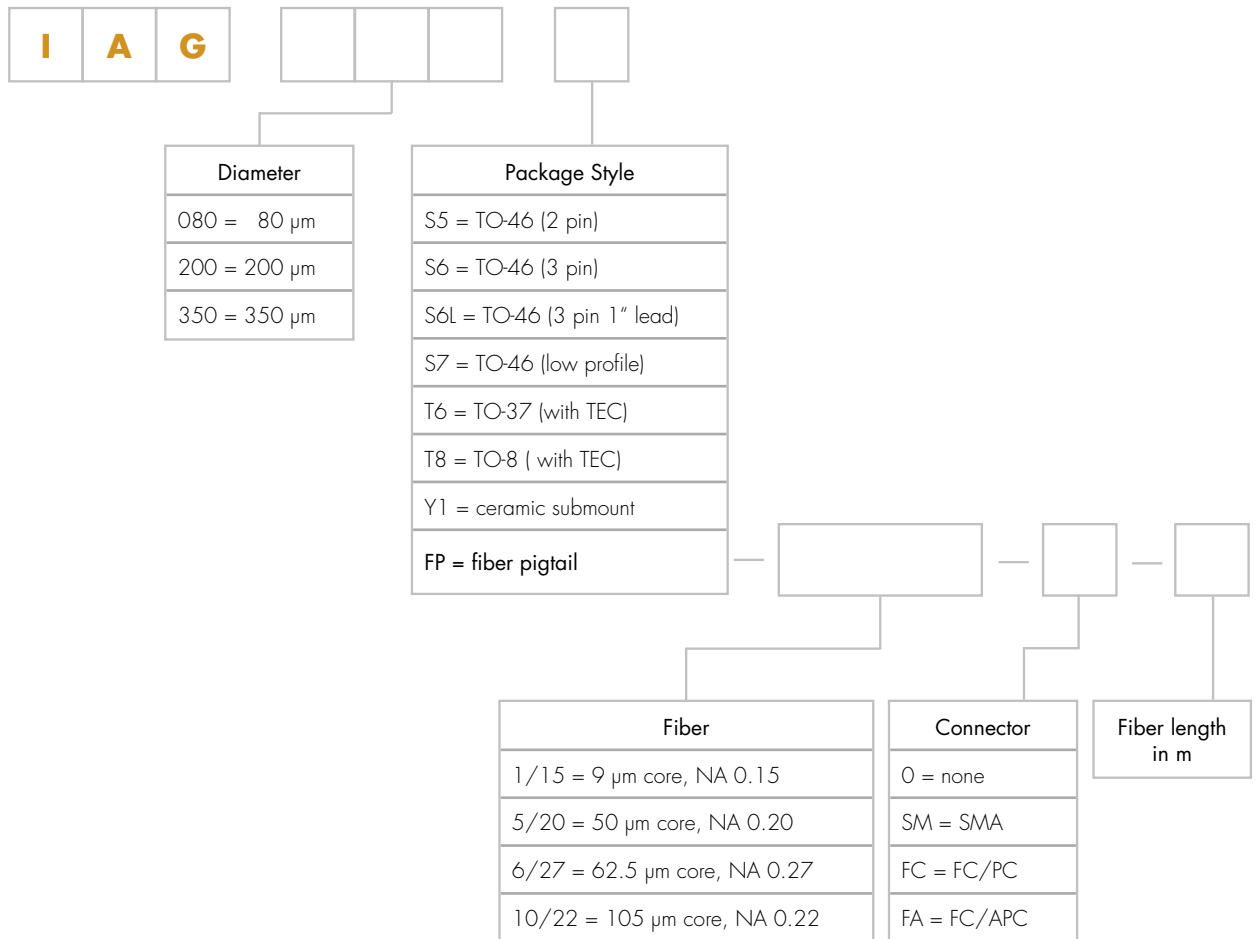


Fig. 5: NEP vs. Bias Voltage



Note: Fig. 3 - Fig. 5 only valid for IAG 200-Series!

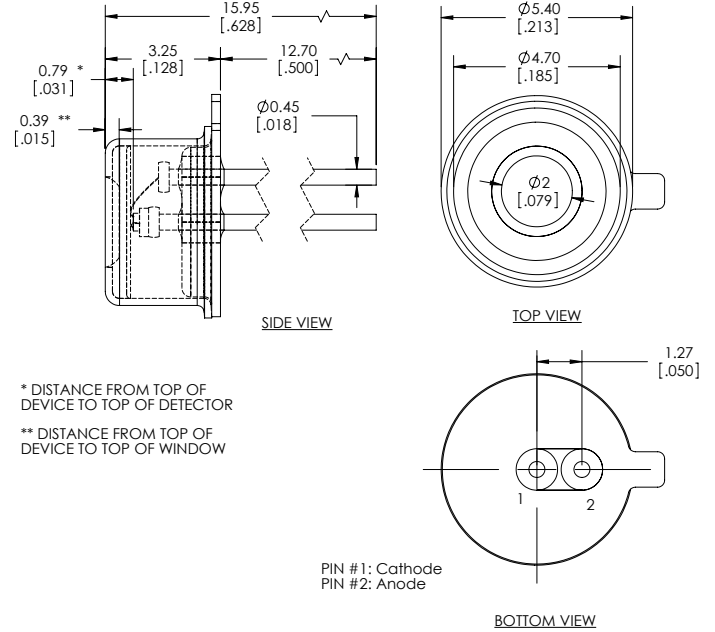
Product Number Designations



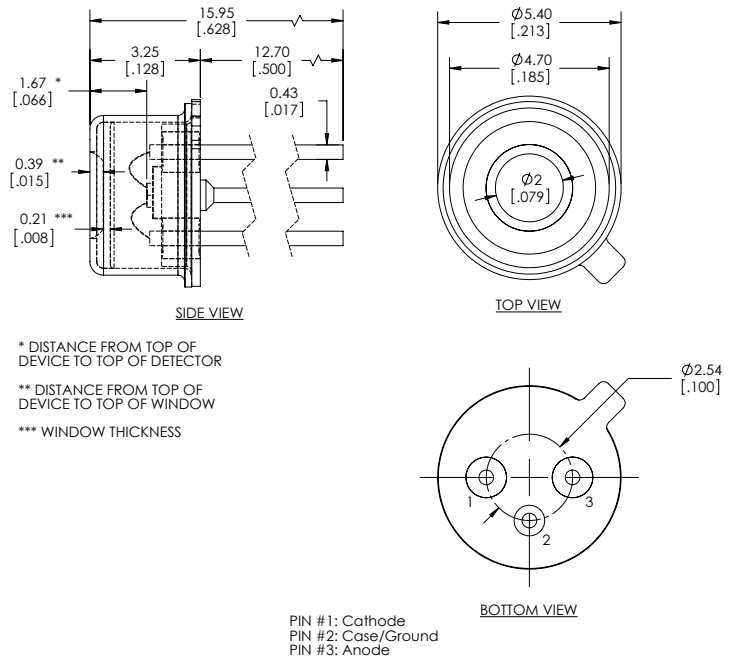
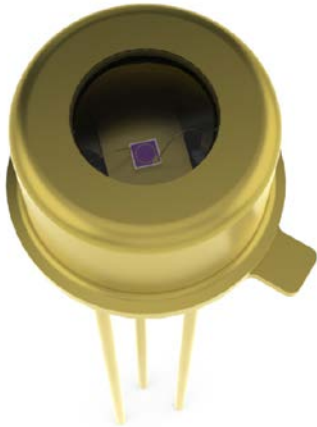
Note: other fibers and connectors are available on request.

Package Drawings

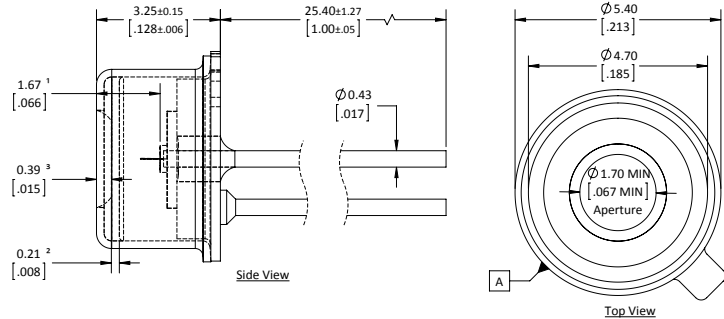
Package S5 TO-46 (2 pin)



Package S6 TO-46 (3 pin)



Package S6L TO-46 (3 pin 1" lead)

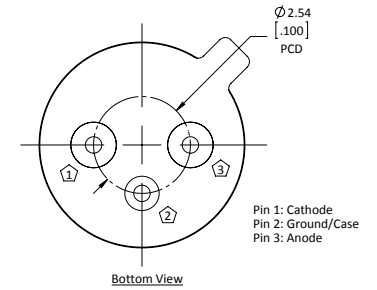


Note:
Active area concentric to Datum A within 50µm.

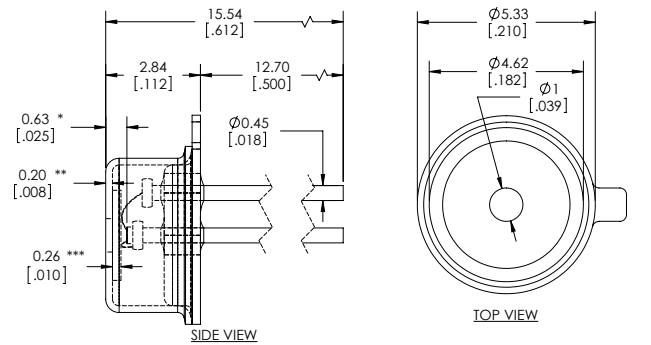
¹ Distance from top of active area to top of device.

² Window thickness.

³ Distance from top of device to top of window.



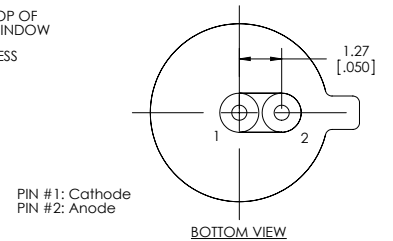
Package S7 TO-46 (low profile)



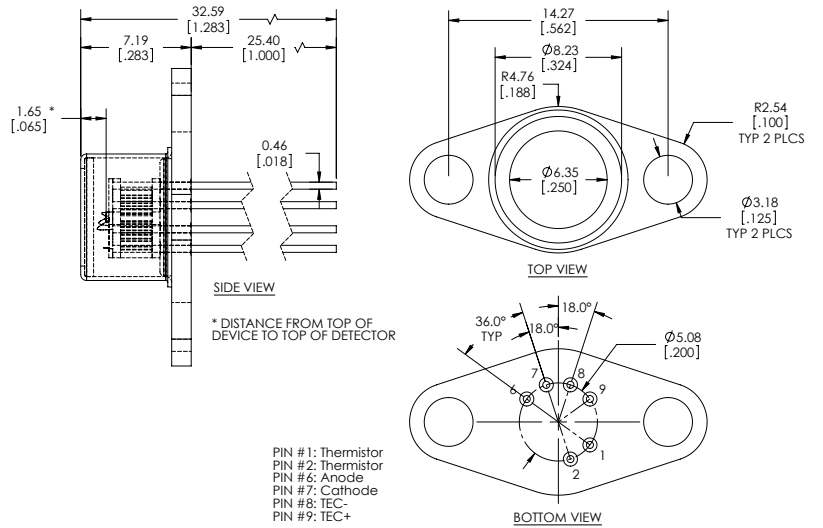
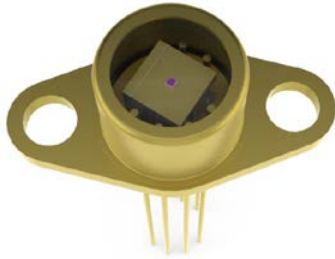
* DISTANCE FROM TOP OF DEVICE TO TOP OF ACTIVE AREA

** DISTANCE FROM TOP OF DEVICE TO TOP OF WINDOW

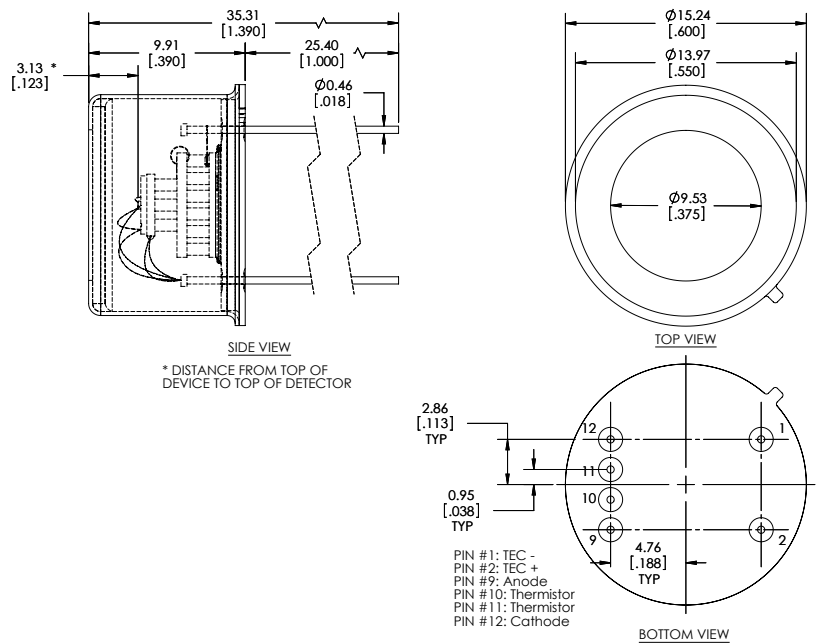
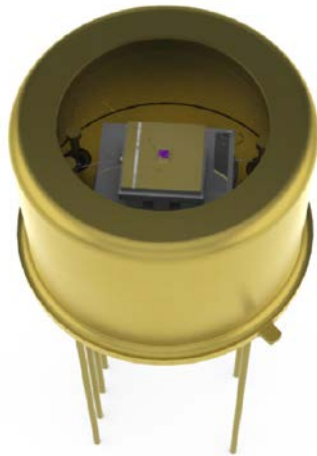
*** WINDOW THICKNESS



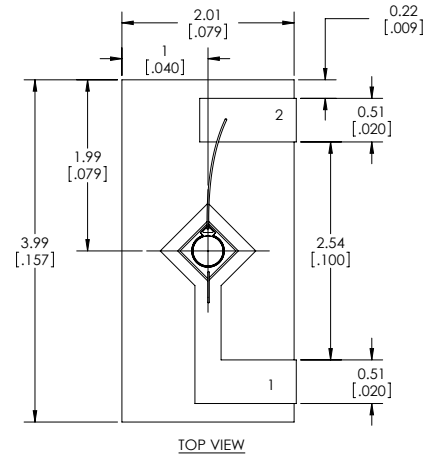
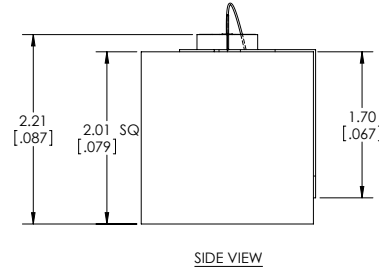
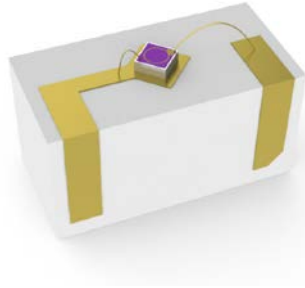
Package T6 TO-37 (with TEC)



Package T8 TO-8 (with TEC)

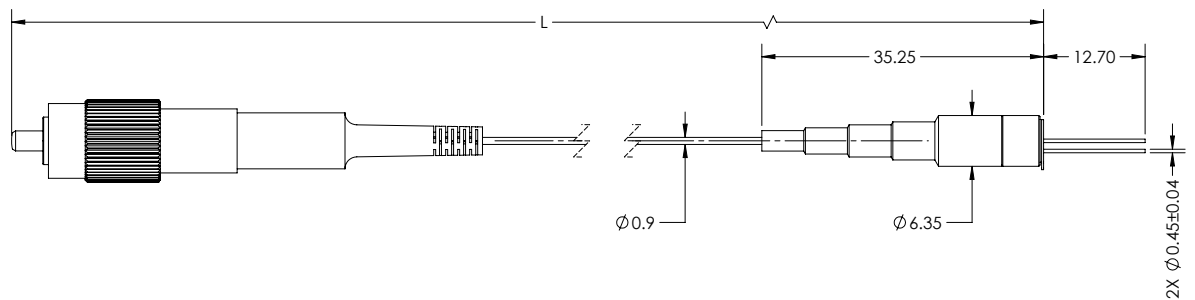
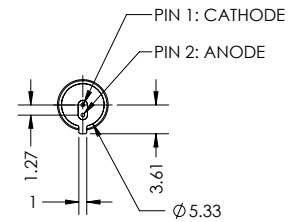


Package Y1 Ceramic Submount



PIN #1: Cathode
PIN #2: Anode

Package FP Fiber Pigtail



Product Changes

LASER COMPONENTS reserves the right to make changes to the product(s) or information contained herein without notice. No liability is assumed as a result of their use or application.

Ordering Information

Products can be ordered directly from LASER COMPONENTS or its representatives. For a complete listing of representatives, visit our website at www.lasercomponents.com

Custom designed products are available on request.