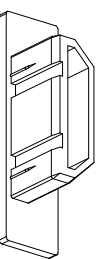
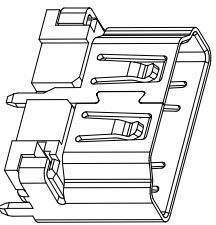
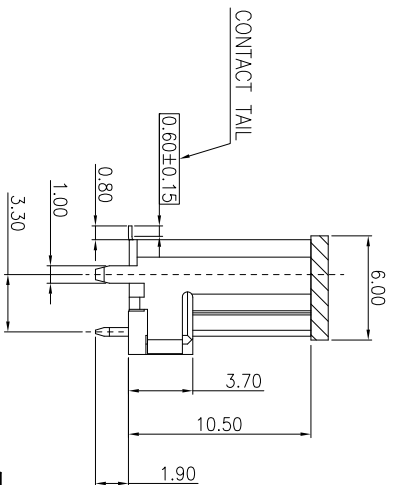
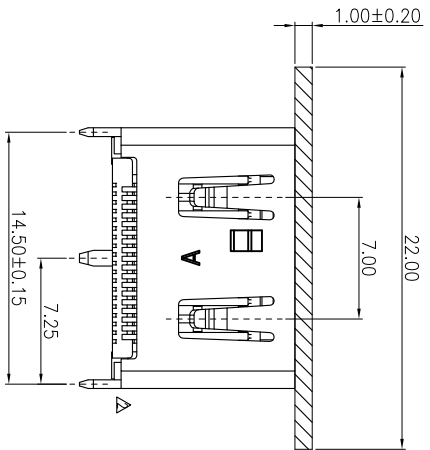
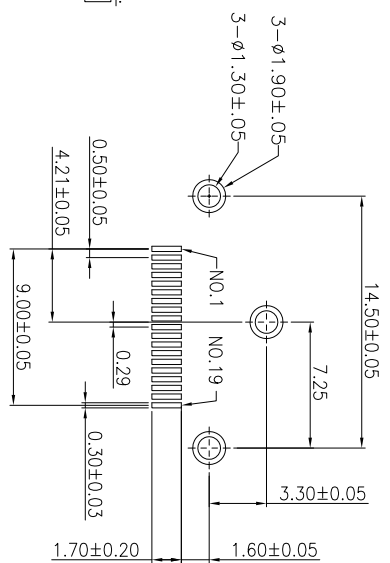
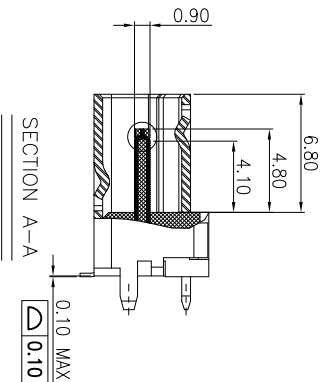
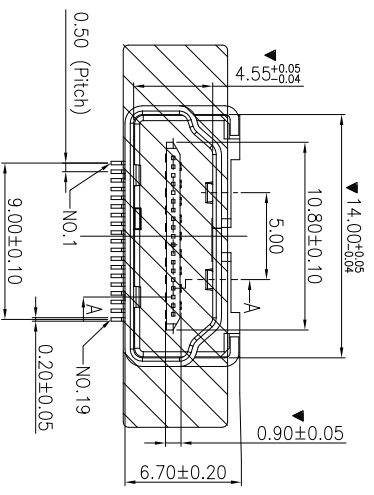


REV	DESCRIPTION	ECN NO.	APPROVED/DATE
A	NEW RELEASE		BRIAN 2013/08/19



RECOMMENDED PCB LAYOUT  
T=1.60MM

- NOTES:  
 1. MATERIAL :  
 HOUSING : THERMOPLASTIC, UL 94V-0  
 SHELL : CARBON STEEL, T=0.50mm  
 TERMINAL : BRASS, T=0.20mm  
 2. CONTACT PLATING :  
 NICKEL UNDERPLATING OVER ALL  
 GOLD PLATING AT CONTACT AREA  
 TIN AT SOLDERING AREA  
 3. SHELL PLATING :  
 NICKEL OVER ALL  
 4. ELECTRICAL :  
 CURRENT RATING : 0.5A Min.  
 VOLTAGE RATING : 40V AC(rms)  
 WITHSTAND VOLTAGE : 500 VAC FOR 1 MINUTE  
 CONTACT RESISTANCE : 50m Ohms Max.  
 INSULATION RESISTANCE : 100M Ohms Min.  
 WORKING TEMPERATURE : -25C ~ +85C  
 5. MECHANICAL :  
 MATING FORCE : 44.1N Max.  
 UNMATING FORCE : 9.8N Min.  
 DURABILITY : 10000 CYCLES  
 PART NO. CODE  
 HDM04 - K K \* - \* \*  
 ① ② ③ ④ ⑤ ⑥
1. SERIES:  
 HDM04: HDMI CONNECTOR,FEMALE, 19PIN.  
 2. POSITIONS:  
 K: 19 POSITIONS.  
 3. INSULATOR COLOR:  
 W : WHITE  
 K : BLACK  
 C : CREAM-COLORED  
 4. CONTACT PLATING:  
 1: Au 1μ"  
 2: Au 30"  
 4: Au 150"  
 5: Au 300"  
 5. ENVIRONMENT:  
 O: ROLTS  
 H: HALOGEN FREE  
 6. WAY OF PACKING:  
 T: TRAY  
 R: TAPE & REEL  
 B: WATERPROOF BAG

BILL OF MATERIAL :

ITEM	PART NAME	Q'TY	DRAWING NO.	PART NO.	MATERIAL	PLATING
5	COVER	1	I-ST-HDM-6-00	I-HDM-6-1K**0000	THERMOPLASTIC	N/A
4	OUTER SHELL	1	S-ST-HDM-6-02	S-HDM-6-K**10200	BRASS	NICKEL PLATING
3	CONTACT	10	T-ST-HDM-6-00	T-HDM-6-2K**10000	BRASS	AU OVER NI
2	CONTACT	9	T-ST-HDM-6-00	T-HDM-6-1K**10000	BRASS	AU OVER NI
1	HOUSING	1	B-ST-HDM-6-00	B-HDM-6-K**03000	THERMOPLASTIC	N/A

GENERAL TOLERANCE	ANGLE TOLERANCE	NAME(INTENDED USE)
X. ±0.38	X.° ±2.0°	CUSTOMER DRAWING
.X ±0.25	.X° ±1.0°	PART NO.
.XX ±0.13	.XX° ±0.5°	HDM044-KK*-**
.XXX ±0.05		

MAJOR(QC CHECKED)	SCALE	APPROVED:	DATE
▲ = 3 places	1 : 1		

CRITICAL: ▽ =	UNIT	CHECKED:	DATE
SHEET 1 OF 1	mm	DESIGN:	DATE

TITLE:  
 HDMI 19P A/F V/T CONN  
 <RIGHT BUMP>

PALCONN TECHNOLOGY CO.,LTD.

SERIES: HDMI SERIES  
 DRAWING NO.: C-HDM044-00

SIZE A4  
 REV. A

