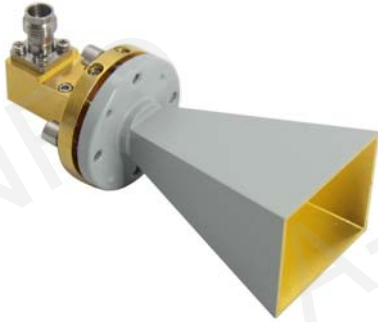


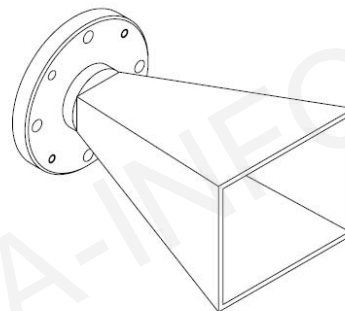
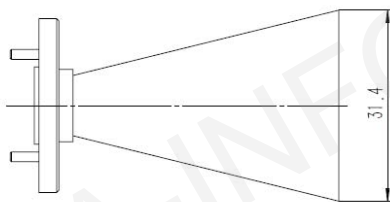
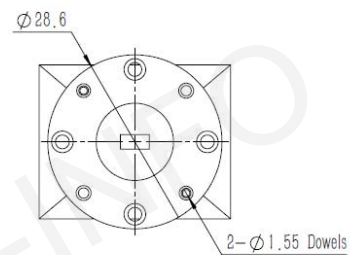
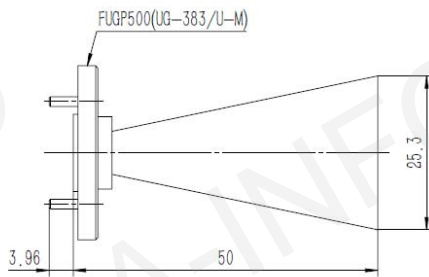
Technical Specification



Frequency Range(GHz)	A Type, WG output:	40.0 - 60.0
	C Type, 2.4mm-F:	40.0 - 50.0
	C Type, 1.85mm-F:	40.0 - 60.0
Waveguide	WR19	
Gain(dBi)	20 Typ.	
Polarization	Linear	
3dB Beamwidth(deg)	14 Typ.	
Cross Pol. Isolation(dB)	45 Typ.	
VSWR	A Type:	1.10:1 Typ.
	C Type:	1.25:1 Typ.
Output	A Type:	FUGP500(UG-383/U-M)
	C Type:	1.85mm-Female or 2.4mm-Female
Material	Cu	
Size(mm)	A Type:	31.4 x 28.6 x 50
	C Type:	31.4 x 31.3 x 76
Net Weight(Kg)	A Type:	0.07 Around
	C Type:	0.12 Around

Outline Drawing (Size: mm)

A Type (With FUGP500 Output)



AINFO Inc.

Page 1 of 16

China(Beijing):
China(Chengdu):
USA :

Tel: (+86) 10-6266-7326,
Tel: (+86) 28-8519-2786,
Tel: (+1) 949-639-9688,

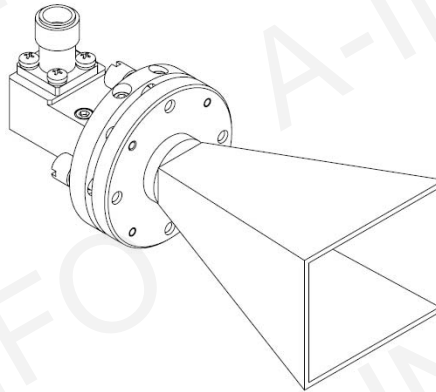
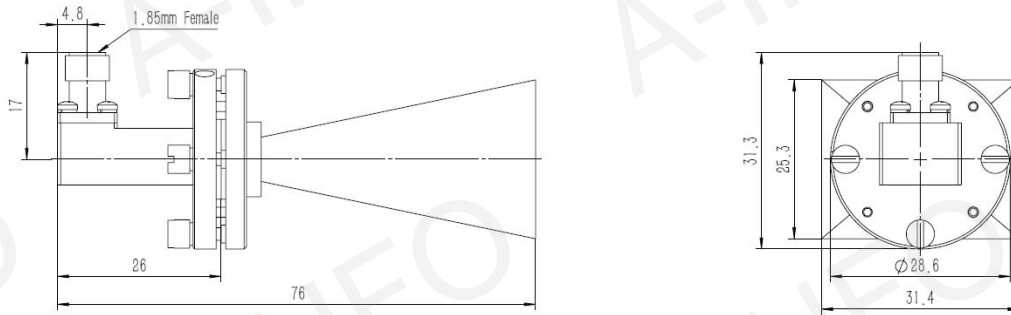
(+86) 10-6266-7327
(+86) 28-8519-3044
(+1) 949-639-9608

Fax: (+86) 10-6266-7379
Fax: (+86) 28-8519-3068
Fax: (+1) 949-639-9670

Website: www.ainfoinc.com
Email: sales@ainfoinc.com

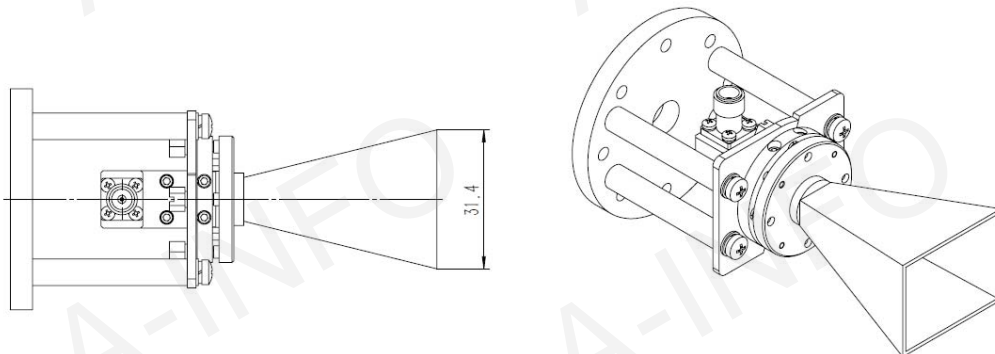
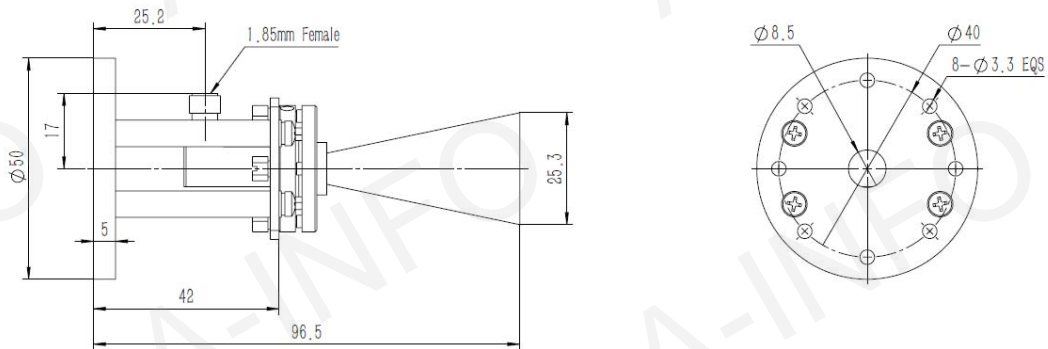
C Type (With 1.85mm-Female Output)

For 2.4mm-Female output outline drawing, please contact A-INFO.



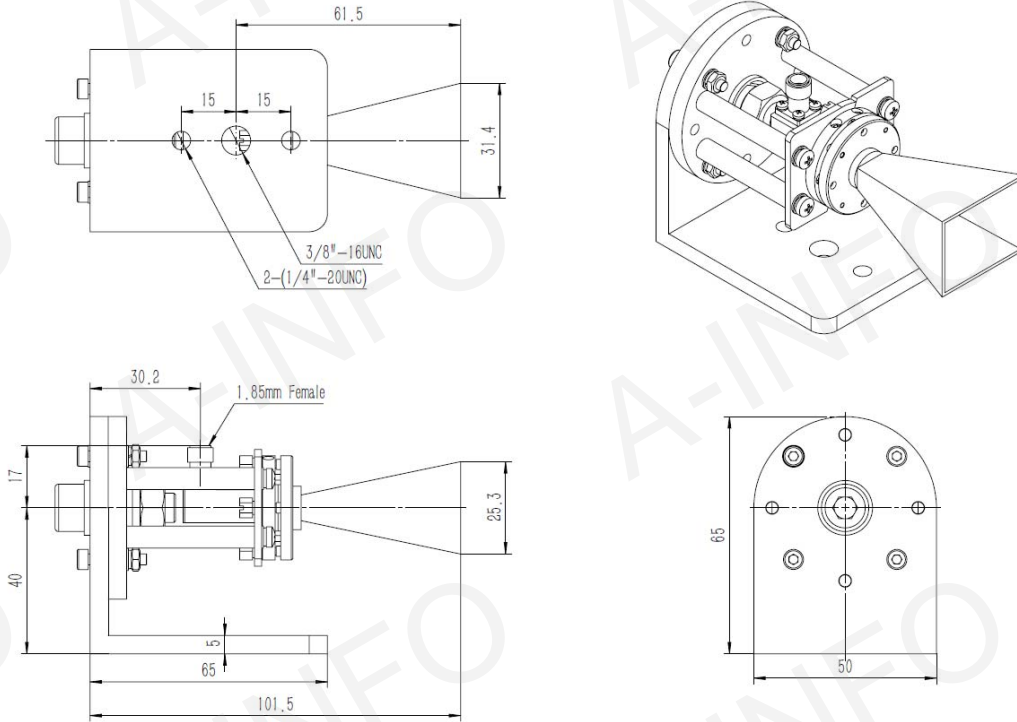
C Type (With 1.85mm-Female Output & Round Mounting Bracket)

For 2.4mm-Female output outline drawing, please contact A-INFO.

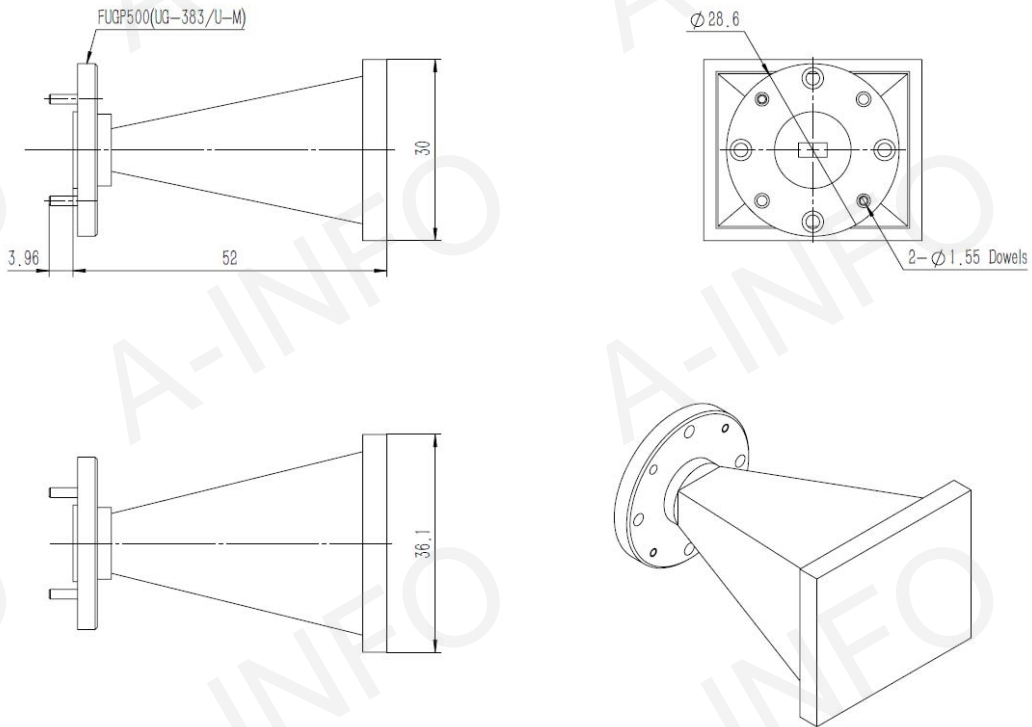


C Type (With 1.85mm-Female Output & L Type Mounting Bracket)

For 2.4mm-Female output outline drawing, please contact A-INFO.

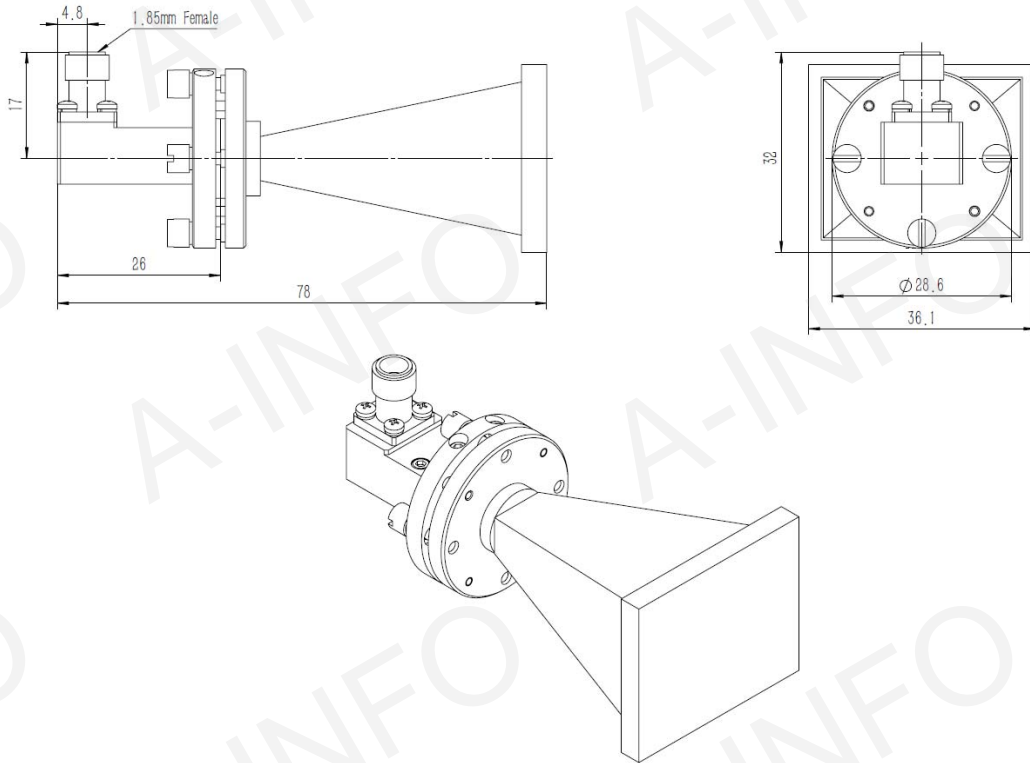


A Type (With Radome)



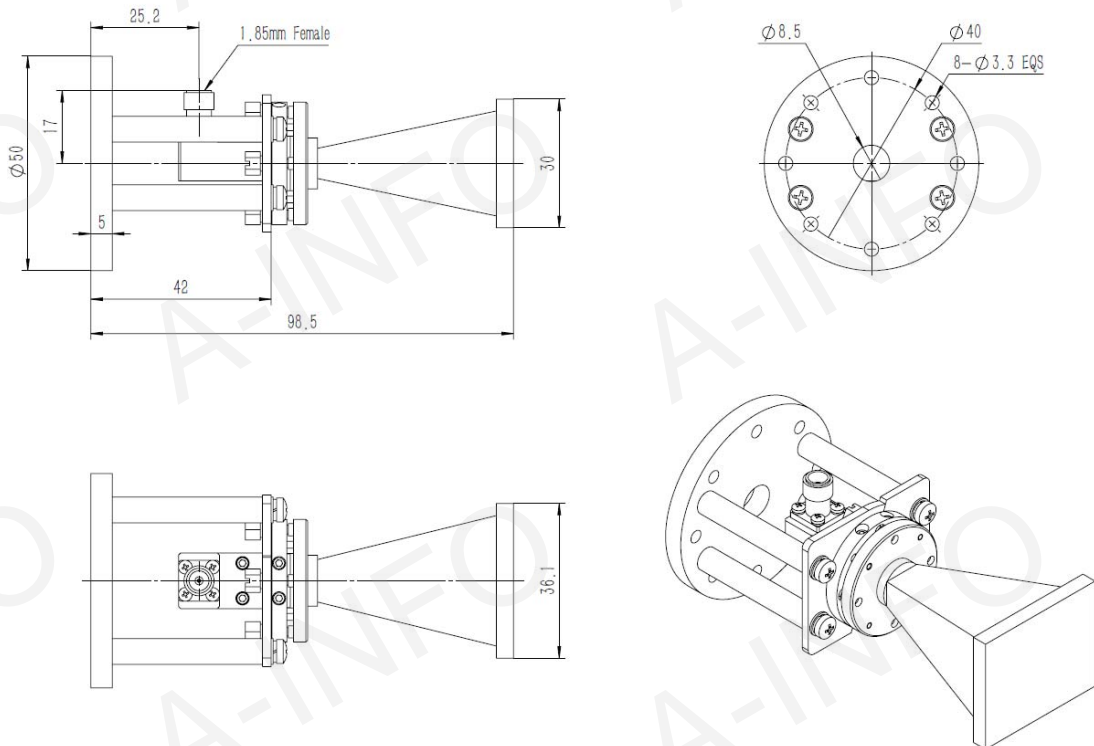
C Type (With 1.85mm-Female Output & Radome)

For 2.4mm-Female output outline drawing, please contact A-INFO.



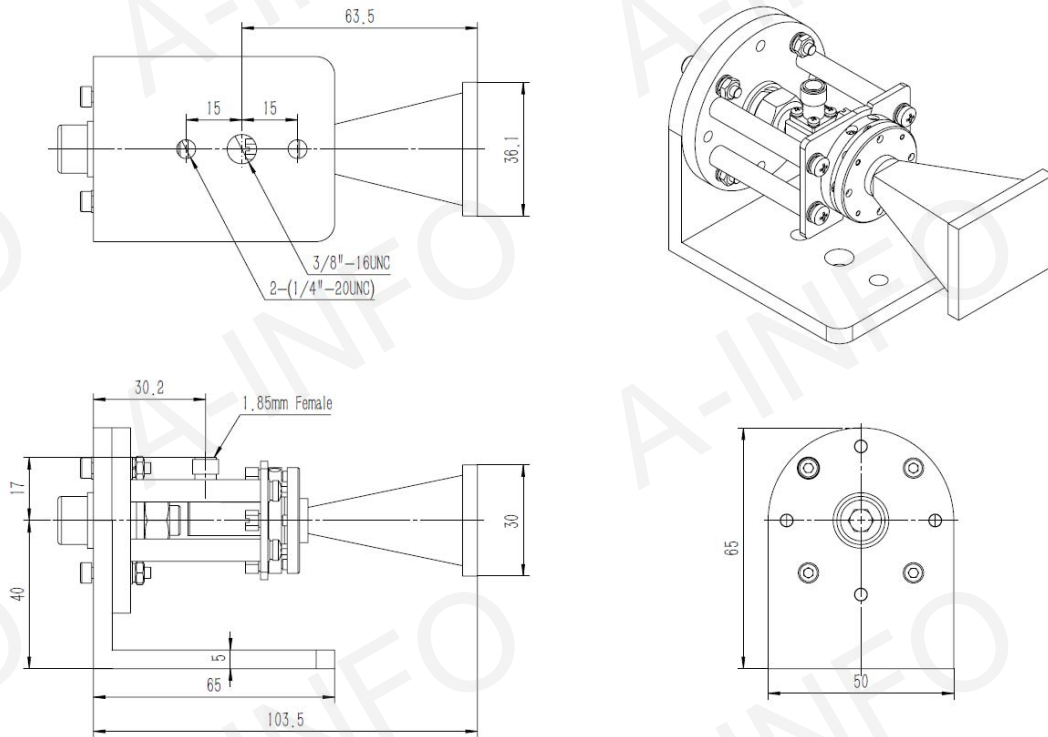
C Type (With 1.85mm-Female Output & Round Mounting Bracket & Radome)

For 2.4mm-Female output outline drawing, please contact A-INFO.

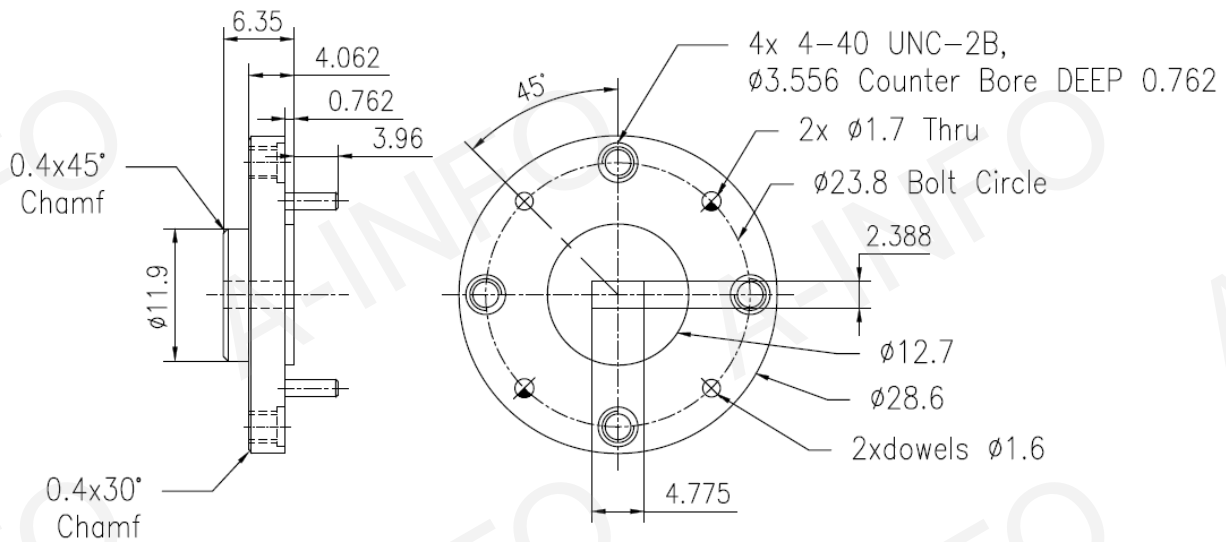


C Type (With 1.85mm-Female Output & L Type Mounting Bracket & Radome)

For 2.4mm-Female output outline drawing, please contact A-INFO.



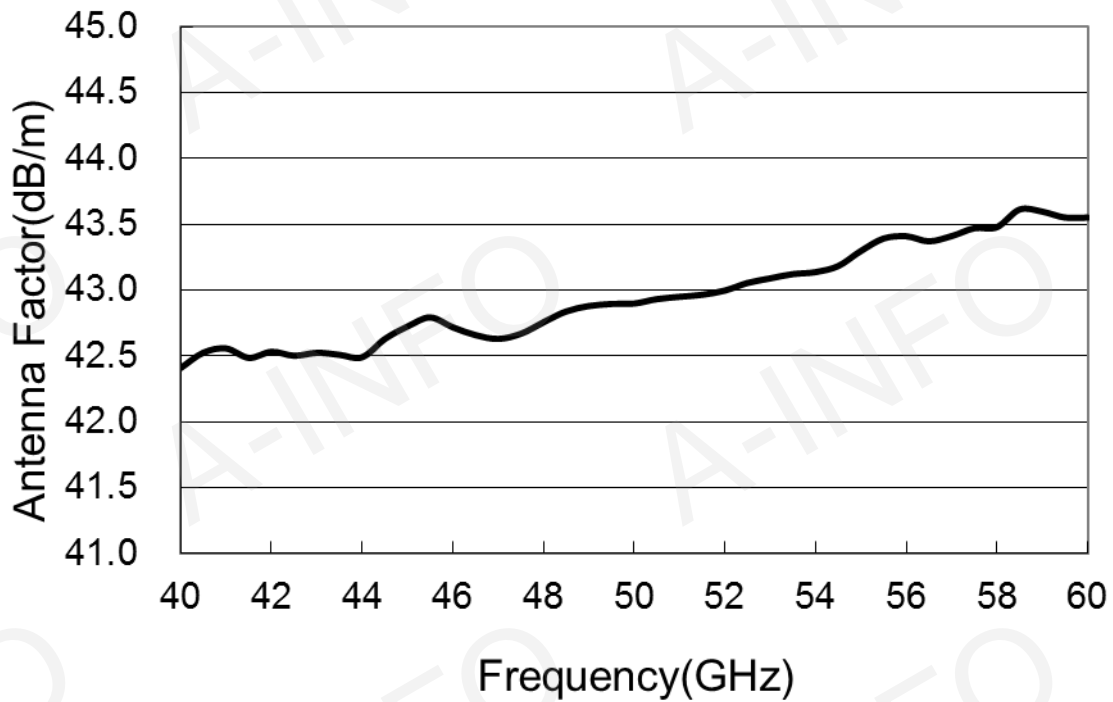
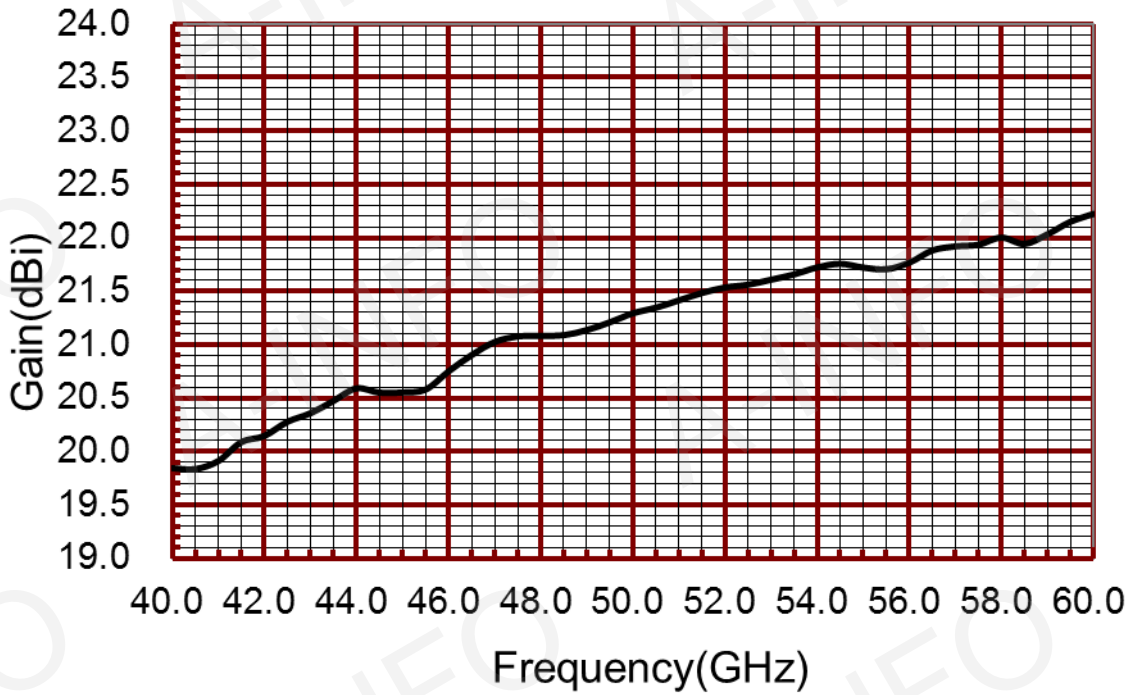
Flange Drawing (Size: mm)



FUGP500
(equivalent to UG-383/U-M)

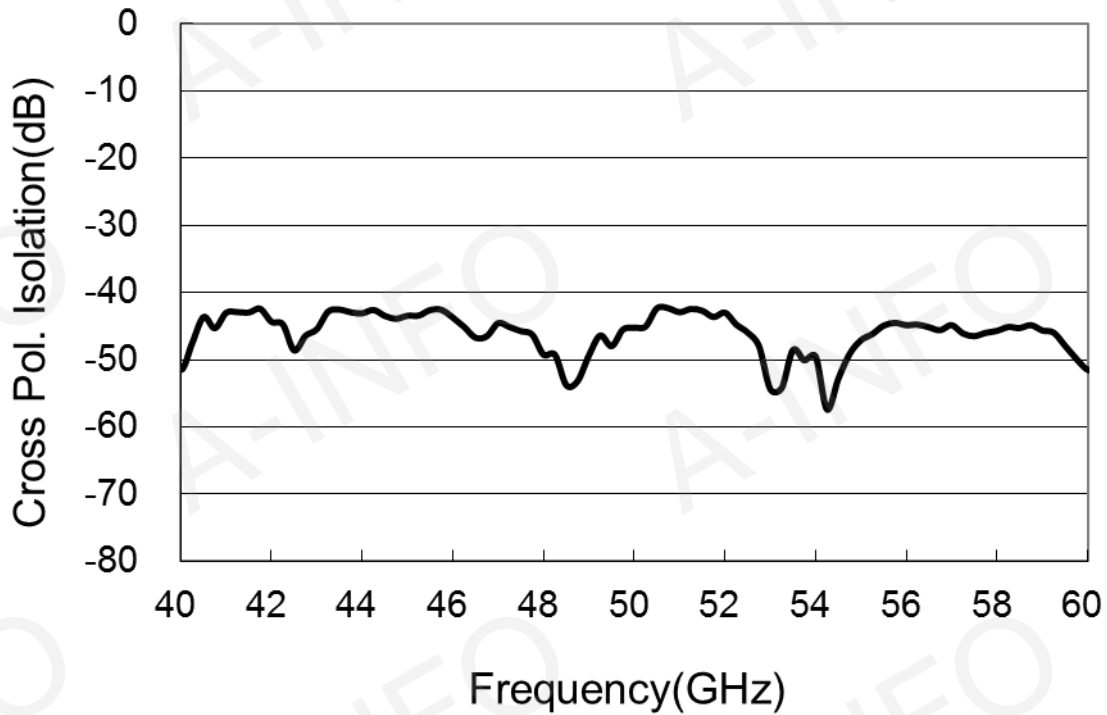
Test Results

1. Gain and Antenna Factor

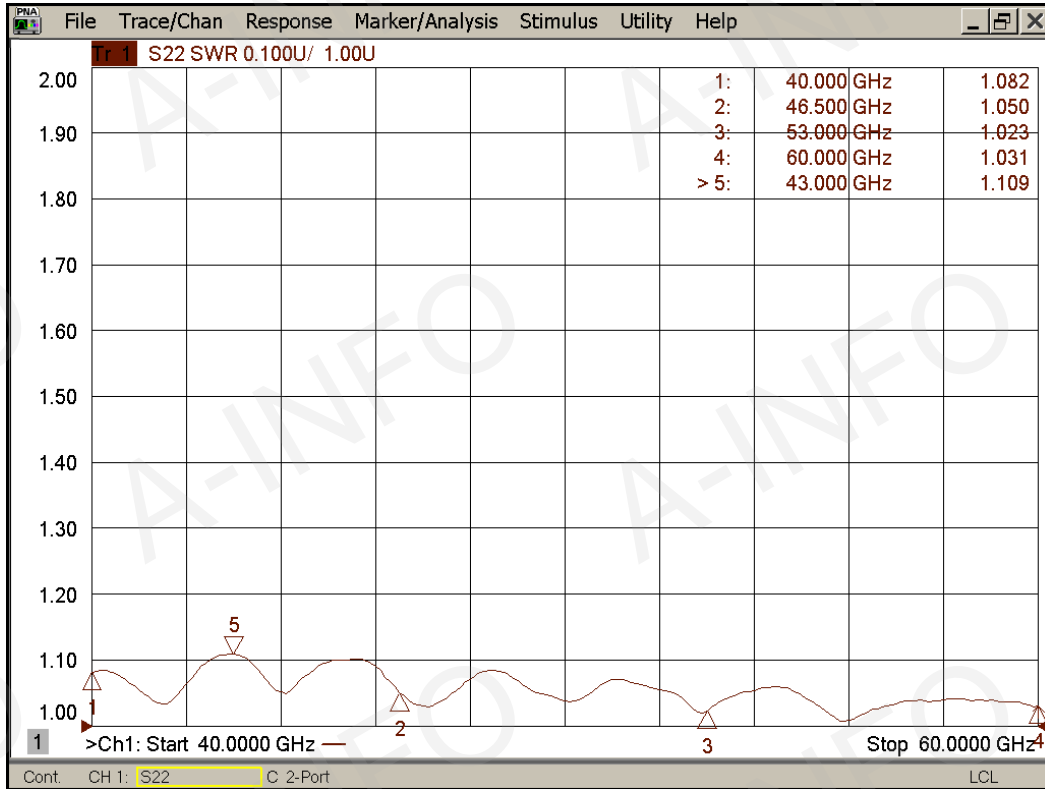


Frequency(GHz)	Gain(dBi)	Antenna Factor(dB/m)
40.0	19.84	42.41
40.5	19.83	42.52
41.0	19.91	42.56
41.5	20.09	42.48
42.0	20.14	42.53
42.5	20.28	42.50
43.0	20.36	42.52
43.5	20.47	42.51
44.0	20.59	42.49
44.5	20.55	42.63
45.0	20.55	42.72
45.5	20.58	42.79
46.0	20.75	42.72
46.5	20.90	42.66
47.0	21.02	42.63
47.5	21.08	42.67
48.0	21.08	42.76
48.5	21.09	42.84
49.0	21.14	42.88
49.5	21.21	42.89
50.0	21.29	42.90
50.5	21.35	42.93
51.0	21.41	42.95
51.5	21.48	42.96
52.0	21.53	43.00
52.5	21.56	43.05
53.0	21.61	43.09
53.5	21.66	43.12
54.0	21.72	43.14
54.5	21.76	43.18
55.0	21.72	43.30
55.5	21.71	43.39
56.0	21.77	43.41
56.5	21.88	43.37
57.0	21.92	43.41
57.5	21.93	43.47
58.0	22.00	43.48
58.5	21.94	43.61
59.0	22.03	43.59
59.5	22.15	43.55
60.0	22.22	43.55

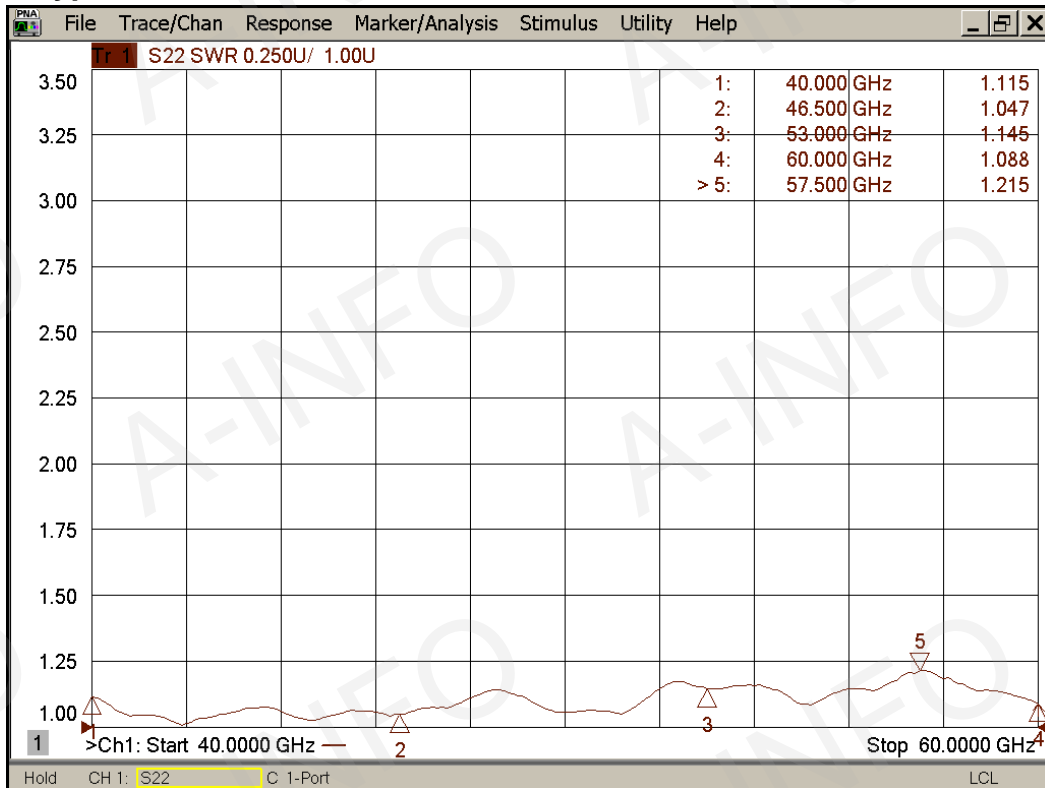
2. Cross Polarization Isolation



3. VSWR_A Type



VSWR_C Type



4. Pattern

