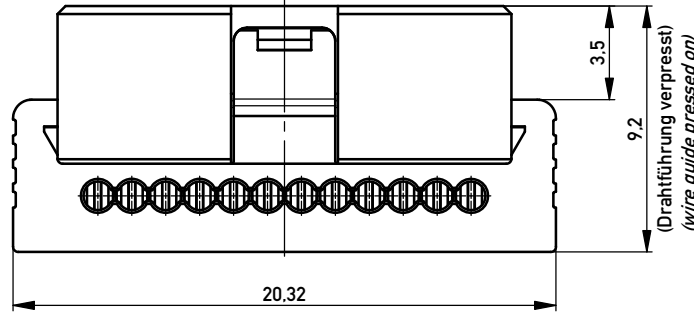
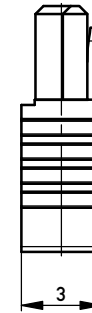


Flachbandkabelführung: rot  
wire guide: red

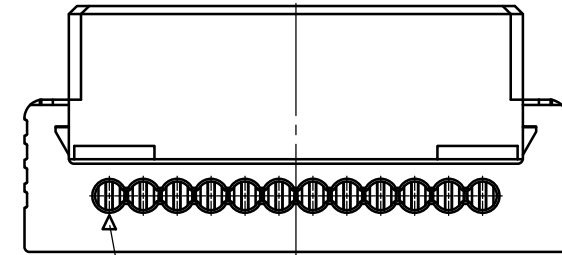
11.4  
mit aufgesetzter Drahtführung  
(Anlieferungszustand)  
with wire guide mounted  
(state at time of supply)



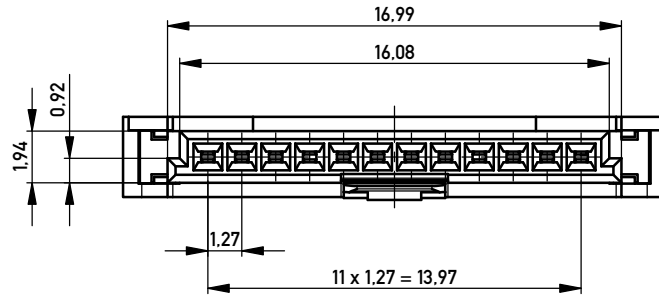
3.5  
9.2  
(Drahtführung verpresst)  
(wire guide pressed on)



3



Kontaktbezeichnung  
contact marking

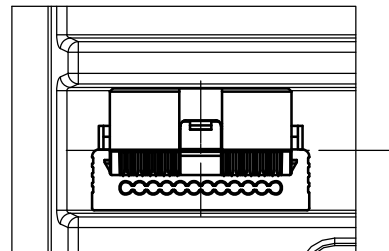


1.94  
0.92

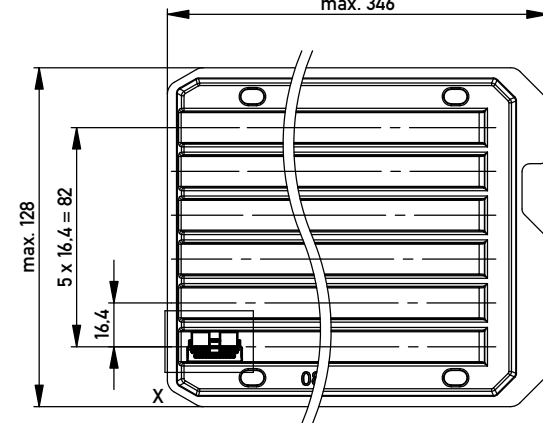
1.27

11 x 1.27 = 13.97

Einzelheit X - detail X  
M 2:1



Verpackt in Tray - tray packaging  
Verpackungseinheit 90 Stück - packaging unit 90 pcs  
max. 346



max. 128

5 x 16.4 = 82

16.4

X

Information: nur mit Hilfsmittel lösbar <i>only with tool unlockable</i>	Tolerances  All Dimensions in mm	Scale	5:1
		Designation <b>1,27 SRC P SKV, 12-polig</b> <b>1,27 SRC P IDC, 12-pin</b>	
All rights reserved. Only for Information. To ensure that this is the latest version of this drawing, please contact one of the ERNI companies before using.	Subject to modification without prior notice. Drawing will not be updated.	<b>234479</b>	
		www.ERNI.com	I <b>A3</b>
a Index	01.04.2010 Date	Class SRCP	

Copyright by ERNI GmbH  
 Proprietary notice pursuant to ISO 9006 to be observed.