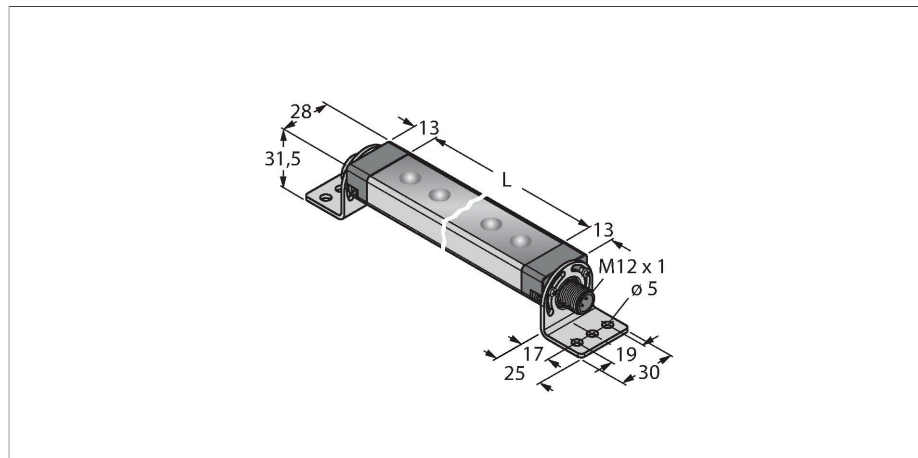


WLS28-2XWGRYB5-0285X24Q

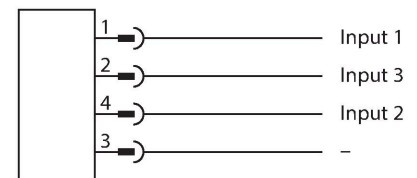
Work Light – Linear Light



Features

- Light beam: 285mm
- Operating voltage: 12...30 VDC
- Protection class: IP50
- Colors: White (COL 1), Green (COL 2), Red (COL 3), Yellow (COL 4), Blue (COL 5)
- Automatic temperature monitoring
- SMBWLS28RA mounting bracket included in delivery

Wiring diagram



Technical data

| | |
|------------------------------------|---|
| Type | WLS28-2XWGRYB5-0285X24Q |
| ID | 3804659 |
| Signal and display data | |
| Purpose | LED work light |
| Function | Linear light |
| Light type | White Green Red Yellow Blue |
| Luminous flux lumen | 650 lm |
| Aperture angle degree | 60 ° |
| Beam angle | wide beam 40-80° |
| LED service life (L70) | 50000 h |
| Dimmable | Two-stage |
| Features of color 1 | White, Permanently on, 650 lm |
| Features of color 2 | Green, 400 lm |
| Features of color 3 | Red, 185 lm |
| Features of color 4 | Yellow, 570 lm |
| Features of color 5 | Blue, 125 lm |
| Electrical data | |
| Operating voltage | 12...30 VDC |
| DC rated operational current | ≤ 660 mA |
| Max. current consumption per color | 400 mA |
| Input power | 7.92 W |
| Mechanical data | |
| Cascadable | No |
| Design | Rectangular, WLS28-2 |

| Input 1: Pin 1 Brown Wire | Input 2: Pin 4 Black Wire | Input 3: Pin 2 White Wire | LED Color |
|------------------------------|------------------------------|------------------------------|------------|
| — | — | — | Light OFF |
| +24 V dc | — | — | Color 1 ON |
| — | +24 V dc | — | Color 2 ON |
| — | — | +24 V dc | Color 3 ON |
| +24 V dc | +24 V dc | — | Color 4 ON |
| +24 V dc | — | +24 V dc | Color 5 ON |
| — | +24 V dc | +24 V dc | Light OFF |
| +24 V dc | +24 V dc | +24 V dc | Light OFF |

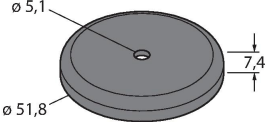
| Input 1: Pin 1 Brown Wire | Input 2: Pin 4 Black Wire | Input 3: Pin 2 White Wire | LED Color |
|------------------------------|------------------------------|------------------------------|------------|
| — | — | — | Light OFF |
| +24 V dc | — | — | Color 1 ON |
| — | +24 V dc | — | Color 2 ON |
| — | — | +24 V dc | Color 3 ON |
| +24 V dc | +24 V dc | — | Color 4 ON |
| +24 V dc | — | +24 V dc | Color 5 ON |
| — | +24 V dc | +24 V dc | Light OFF |
| +24 V dc | +24 V dc | +24 V dc | Light OFF |

Technical data

| | |
|------------------------|----------------------|
| Dimensions | 327 x 28 x 21 mm |
| Housing material | Metal, AL |
| Window material | Polycarbonate, clear |
| Electrical connection | Connector, M12 × 1 |
| Number of cores | 4 |
| Ambient temperature | -40...+50 °C |
| Storage temperature | -40...+70 °C |
| Relative humidity | 0...90 % |
| Protection class | IP50 |
| Tests/approvals | |
| Approvals | CE, UL |

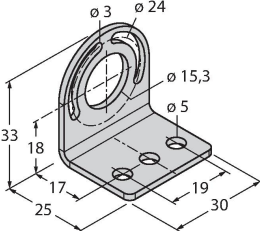
Accessories

SMBWLSMAG 3019574



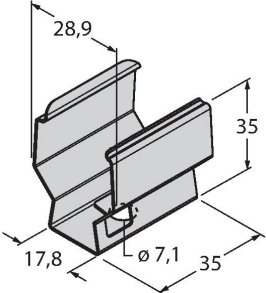
Magnetic mounting bracket for mounting on metallic surfaces, for mounting WLS28 work lights

SMBWLS28RA 3015764



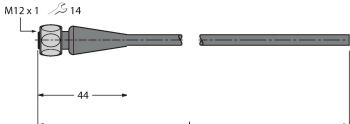
Mounting bracket, angled, metal, for WLS28 work lights, 5 mm drill holes, screw set included

SMBWLS28SP 3088063



Snap bracket for mounting WLS28 work lights

Accessories

| Dimension drawing | Type | ID | |
|---|--------------|---------|--|
|  | RKH4.5-2/TFG | 6933455 | Connection cable, M12 female, straight, 5-pin, stainless steel coupling nut, cable length: 2 m, jacket material: TPE, gray, temperature range -40...+105 °C; other cable lengths and designs available, see www.turck.com |

| Dimension drawing | Type | ID | |
|-------------------|---------------|---------|--|
| | RKC4.4T-2/TEL | 6625013 | Connection cable, female M12, straight, 4-pin, cable length: 2 m, sheath material: PVC, black; cULus approval; other cable lengths and qualities available, see www.turck.com |
| | WKC4.4T-2/TEL | 6625025 | Connection cable, female M12, angled, 4-pin, cable length: 2 m, sheath material: PVC, black; cULus approval; other cable lengths and qualities available, see www.turck.com |